



Computer
Science

CSC535: Probabilistic Graphical Models

Message Passing Inference

Prof. Jason Pacheco

Homework 3

- Loopy Belief Propagation
- Out today, due 2 weeks (Monday 2 / 27 @ 11:59pm)
- All coding, 2 problems
 - Implement loopy sum-product for simple factor graph
 - Apply to low density parity check coding problem
- Please submit report as PDF and a **separate** ZIP file of code!

Outline

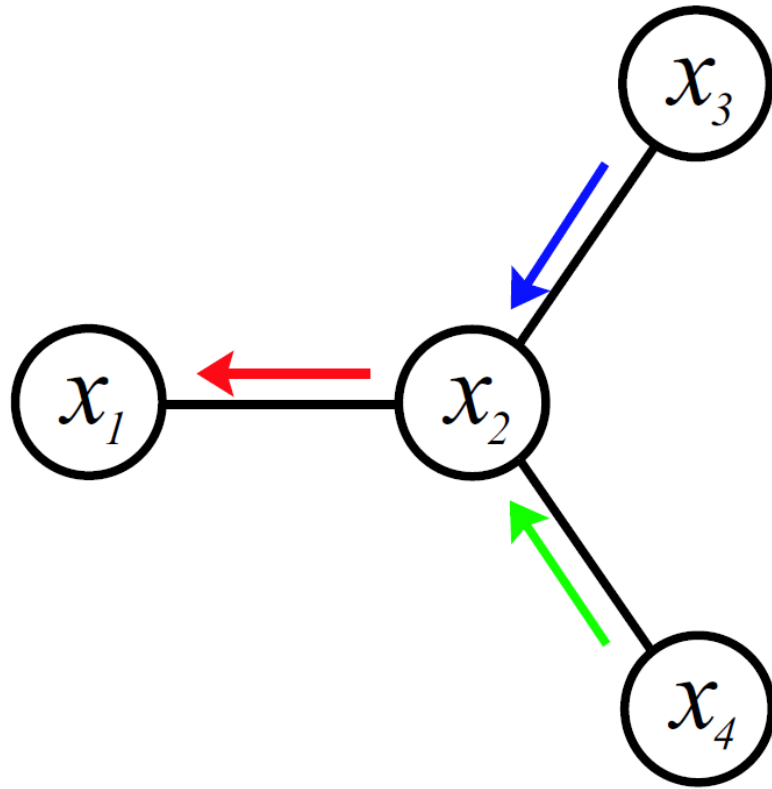
- Sum-Product Belief Propagation
- Loopy Belief Propagation
- Variable Elimination
- Junction Tree Algorithm
- Max-Product Belief Propagation

Outline

- **Sum-Product Belief Propagation**
- Loopy Belief Propagation
- Variable Elimination
- Junction Tree Algorithm
- Max-Product Belief Propagation

Why Graphical Models?

Structure simplifies both **representation** and **computation**



Representation

Complex global phenomena arise by simpler-to-specify local interactions

Computation

Inference / estimation depends only on subgraphs (e.g. dynamic programming, belief propagation, Gibbs sampling)

Example: Markov Chain

Suppose we have a chain graph...

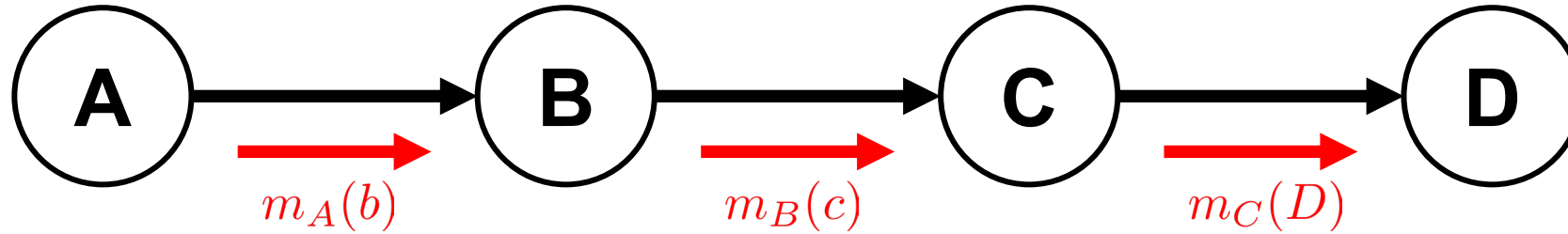


...and want to calculate the marginal on B

$$P(D) = \sum_a \sum_b \sum_c P(a, b, c, D)$$

- For K-valued variables this is $\mathcal{O}(K^3)$
- For a Markov Chain on N variables calculating $P(X_N)$ takes $\mathcal{O}(K^{N-1})$
- We can do better by reordering operations...

Example: Markov Chain



Suppose we just care about marginal on D:

$$\begin{aligned} P(D) &= \sum_a \sum_b \sum_c P(a)P(b | a)P(c | b)P(D | c) \\ &= \sum_c P(D | c) \sum_b P(c | b) \underbrace{\sum_a P(a)P(b | a)}_{m_A(b)} \\ &= \sum_c P(D | c) \underbrace{\sum_b P(c | b)m_A(b)}_{m_B(c)} \\ &= \underbrace{\sum_c P(D | c)m_B(c)}_{m_C(D)} \\ &= m_C(D) \end{aligned}$$

(Distributive property)

Each message takes $O(K^2)$ time for total of $O(3K^2)$

On a Markov Chain of N RVs takes $O((N-1)K^2)$

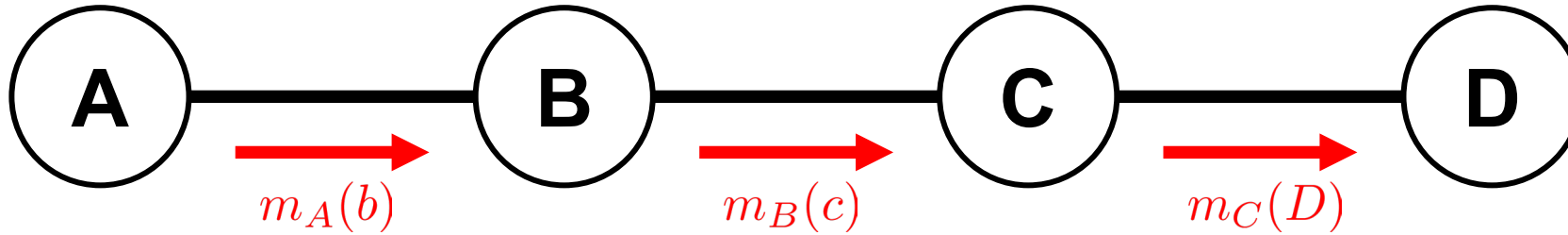
Example: Markov Chain



Convert Bayes net to MRF by ignoring local normalization:

$$P(A, B, C, D) \propto \psi(A)\psi(B, A)\psi(C, B)\psi(D, C)$$

Example: Markov Chain



Convert Bayes net to MRF by ignoring local normalization:

$$P(A, B, C, D) \propto \psi(A)\psi(B, A)\psi(C, B)\psi(D, C)$$

Repeat same procedure on MRF (we do not assume normalization):

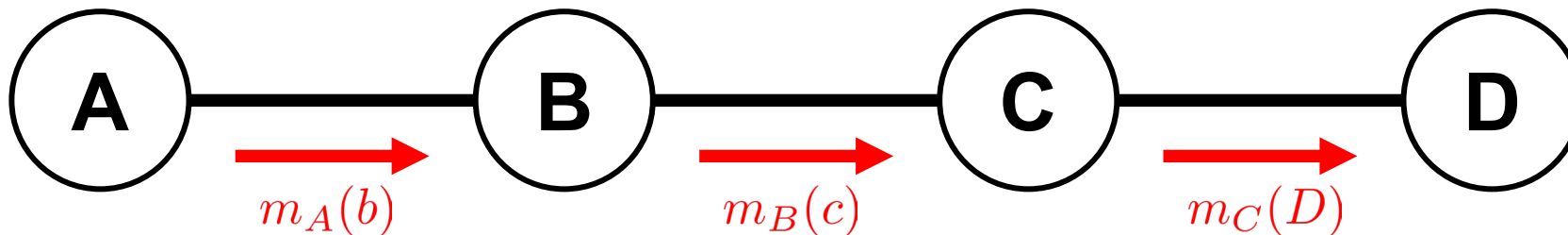
$$P(D) \propto \sum_c \psi(c, D) \sum_b \psi(b, c) \underbrace{\sum_a \psi(a, b)\psi(a)}$$

$$P(D) \propto \sum_c \psi(c, D) \sum_b \psi(b, c) m_A(b)$$

$$P(D) \propto \sum_c \psi(c, D) m_B(c)$$

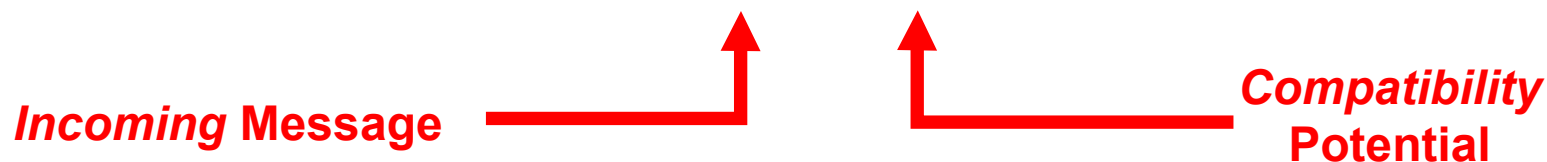
$$P(D) \propto m_C(D)$$

Markov Chain Revisited



Inference viewed as passing *messages* e.g. $C \rightarrow D$:

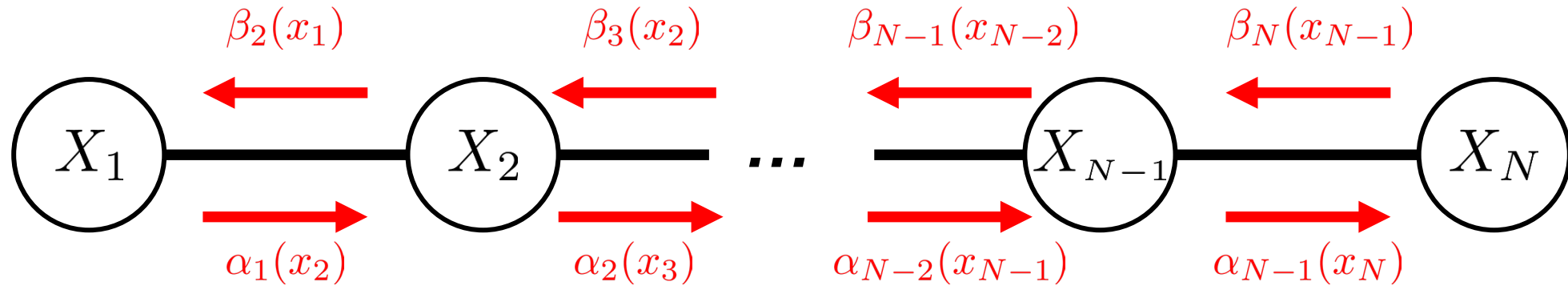
$$m_C(d) = \sum_c m_B(c) \psi(c, d)$$



- Only showed calculation of marginal at rightmost node
- Backward pass of messages calculates *all* marginals
- General inference on Markov chains called *forward-backward* alg.
- Extension to other model structures called *sum-product algorithm*

Forward-Backward Algorithm

Pass messages forward/backward along chain...



Forward message:

$$\alpha_{n-1}(x_n) = \sum_{x_{n-1}} \alpha_{n-2}(x_{n-1}) \psi(x_{n-1}, x_n)$$

Forward message:

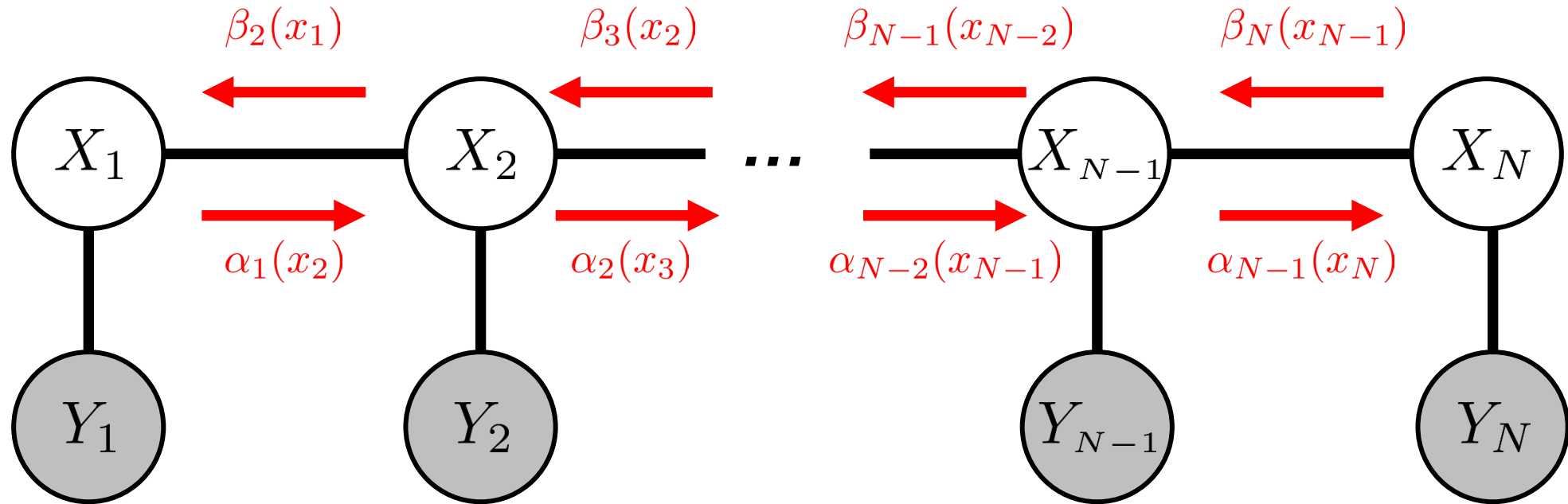
$$\beta_{n+1}(x_n) = \sum_{x_{n+1}} \beta_{n+2}(x_{n+1}) \psi(x_n, x_{n+1})$$

Marginal probability:

$$p(x_n) \propto \alpha_{n-1}(x_n) \beta_{n+1}(x_n)$$

Forward-Backward Algorithm

Extends to HMM-style graphs with node observations...



Forward message:

$$\alpha_{n-1}(x_n) = \psi(x_n, y_n) \sum_{x_{n-1}} \alpha_{n-2}(x_{n-1}) \psi(x_{n-1}, x_n)$$

Backward message:

$$\beta_{n+1}(x_n) = \sum_{x_{n+1}} \beta_{n+2}(x_{n+1}) \psi(x_n, x_{n+1}) \psi(x_{n+1}, y_{n+1})$$

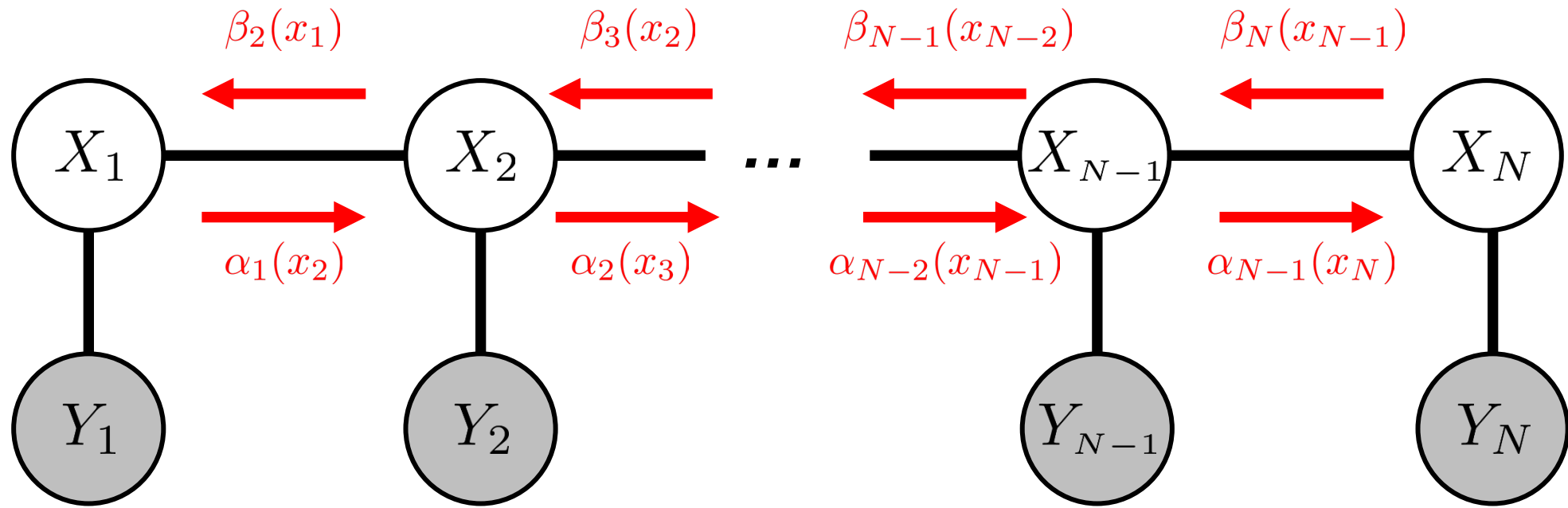
Forward-Backward Algorithm

$$\begin{aligned}\alpha_{n-1}(x_n) &\propto p(y_1, \dots, y_n, x_n) \\ &= p(y_1, \dots, y_n \mid x_n)p(x_n) && \text{(Chain rule)} \\ &= p(y_n \mid x_n)p(y_1, \dots, y_{n-1} \mid x_n)p(x_n) && \text{(Conditional Independence)} \\ &= p(y_n \mid x_n)p(y_1, \dots, y_{n-1}, x_n) && \text{(Chain rule)} \\ &= p(y_n \mid x_n) \sum_{x_{n-1}} p(y_1, \dots, y_{n-1}, x_{n-1}, x_n) && \text{(Law of Total Probability)} \\ &= p(y_n \mid x_n) \sum_{x_{n-1}} p(y_1, \dots, y_{n-1}, x_{n-1})p(x_n \mid x_{n-1}) && \text{(Chain rule + Conditional Independence)} \\ &\propto \psi(y_n, x_n) \sum_{x_{n-1}} \alpha_{n-2}(x_{n-1})\psi(x_n, x_{n-1})\end{aligned}$$

Forward-Backward Algorithm

$$\begin{aligned}\beta_{n+1}(x_n) &\propto p(y_{n+1}, \dots, y_N \mid x_n) \\ &= \sum_{x_{n+1}} p(y_{n+1}, \dots, y_N, x_{n+1} \mid x_n) && \text{(Law of Total Probability)} \\ &= \sum_{x_{n+1}} p(y_{n+1}, \dots, y_N \mid x_n, x_{n+1}) p(x_{n+1} \mid x_n) && \text{(Chain rule)} \\ &= \sum_{x_{n+1}} p(y_{n+1}, \dots, y_N \mid x_{n+1}) p(x_{n+1} \mid x_n) && \text{(Conditional Independence)} \\ &= \sum_{x_{n+1}} p(y_{n+2}, \dots, y_N \mid x_{n+1}) p(y_{n+1} \mid x_{n+1}) p(x_{n+1} \mid x_n) && \text{(Chain rule)} \\ &\propto \sum_{x_{n+1}} \beta_{n+2}(x_{n+1}) \psi(x_{n+1}, y_{n+1}) \psi(x_n, x_{n+1})\end{aligned}$$

Forward-Backward Algorithm



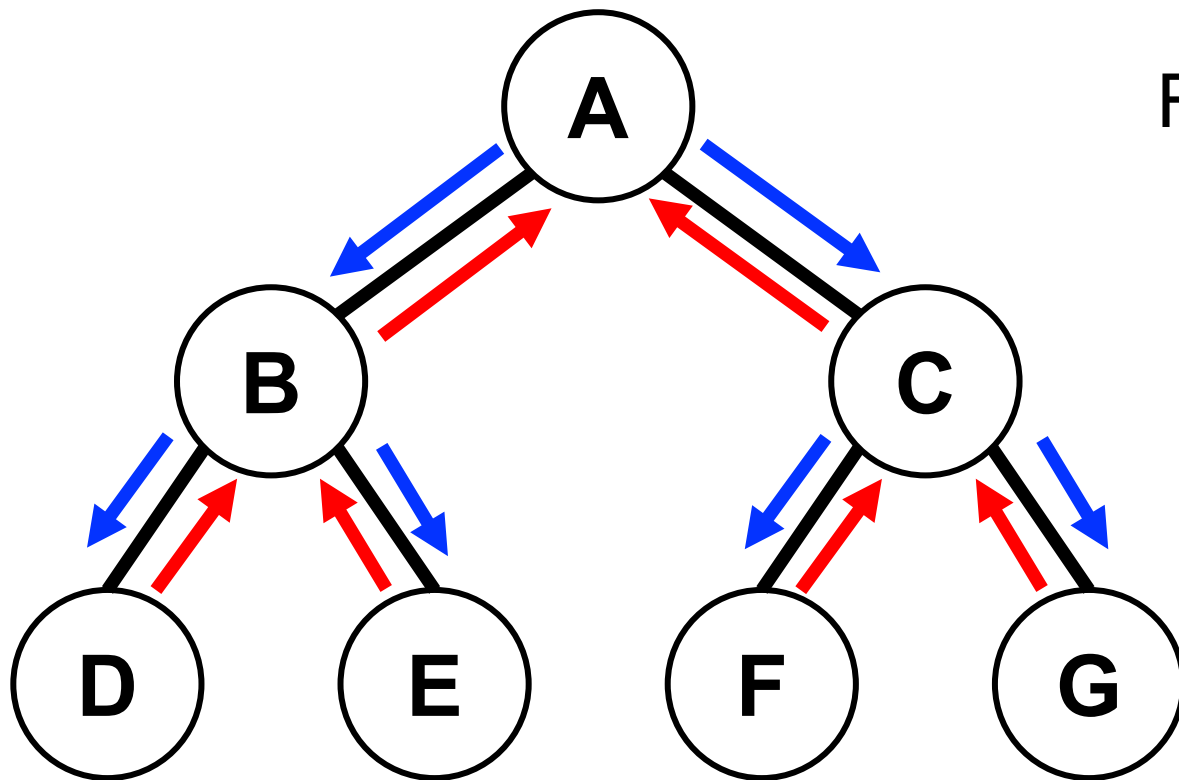
Forward message gives the filtered posterior:

$$\alpha_{n-1}(x_n) \propto p(y_1, \dots, y_n, x_n) \propto p(x_n \mid y_1, \dots, y_n)$$

Smoothed posterior incorporates all observations:

$$\begin{aligned} p(x_n \mid y_1, \dots, y_N) &\propto p(x_n \mid y_1, \dots, y_n) p(y_{n+1}, \dots, y_N \mid x_n) \\ &\propto \alpha_{n-1}(x_n) \beta_{n+1}(x_n) \end{aligned}$$

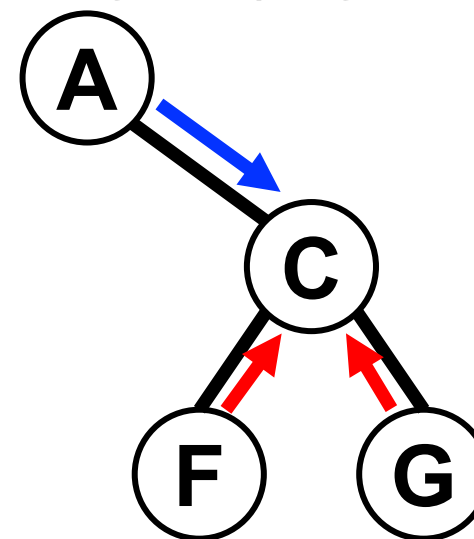
Sum-Product Belief Propagation



Pass messages from leaves-to-root, then root-to-leaves

Forward-Backward extends to *any tree-structured pairwise MRF*

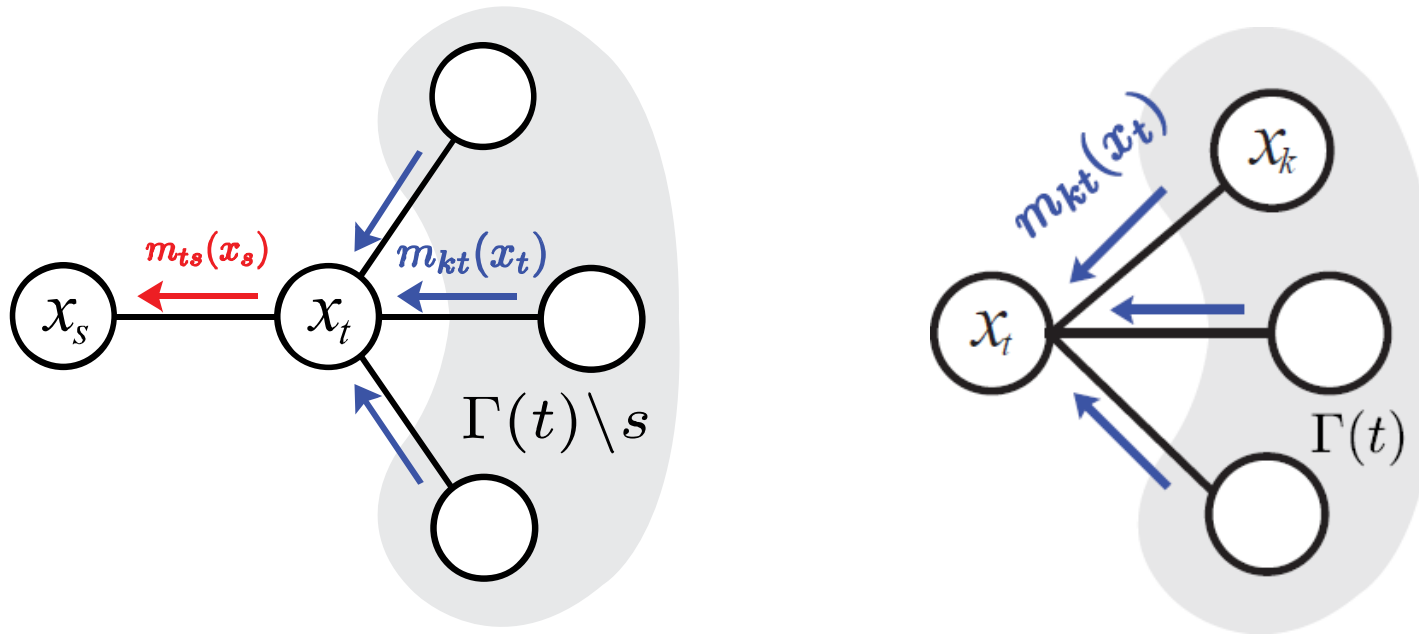
Marginal given by *incoming* messages (e.g. node C):



$$p(C) \propto \psi(C) m_A(C) m_F(C) m_G(C)$$

Sum-Product Belief Propagation

Message updates depend only on Markov blanket...



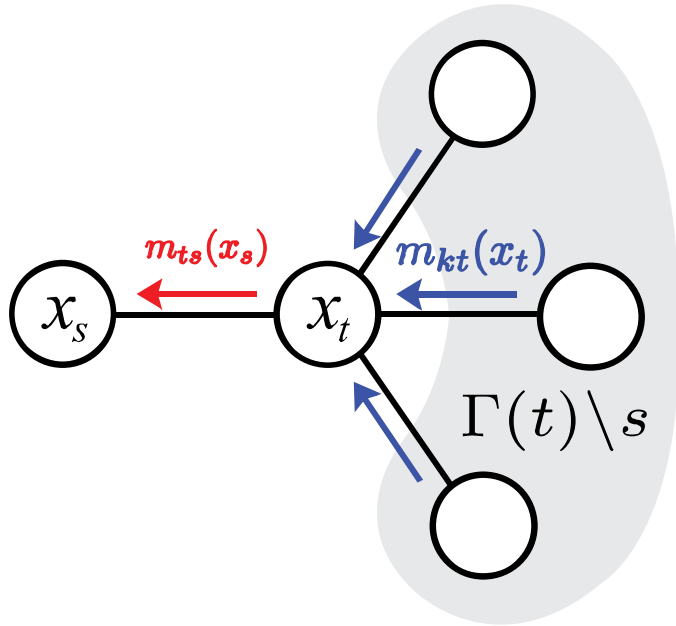
Message $m_{ts}(x_s) = \sum_{x_t} \psi_{st}(x_s, x_t) \psi_t(x_t) \prod_{k \in \Gamma(t) \setminus s} m_{kt}(x_t)$

Marginal $p(x_t) \propto \psi_t(x_t) \prod_{k \in \Gamma(t)} m_{kt}(x_t)$

Messages involve a **sum** over **products**, hence the name “sum-product algorithm”

Computational Complexity

$$m_{ts}(x_s) = \sum_{x_t} \underbrace{\psi_{st}(x_s, x_t) \psi_t(x_t) \prod_{k \in \Gamma(t) \setminus s} m_{kt}(x_t)}_{\phi(x_s, x_t)}$$



For K -valued random variables X_s and X_t intermediate factor $\psi(x_s, x_t)$ is K -by- K matrix

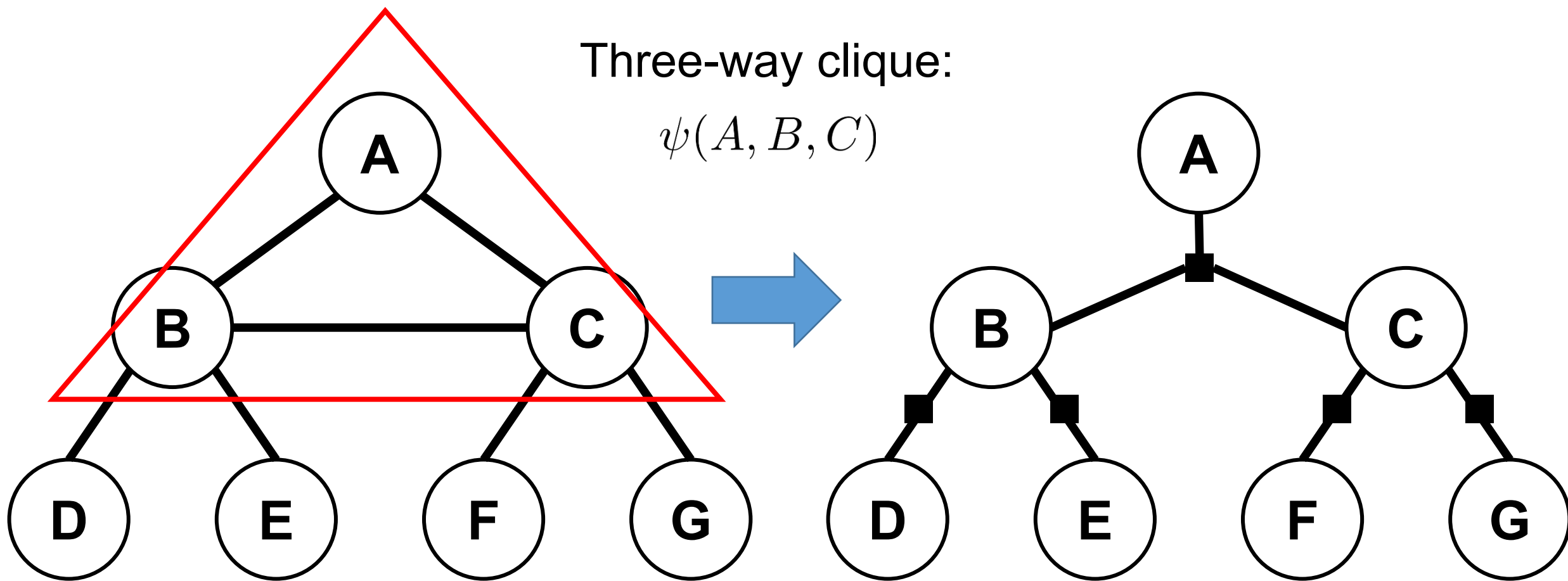
Each message requires computation:

$$\mathcal{O}(K^2)$$

There are $|E|$ edges so total computation is:

$$\mathcal{O}(2|E|K^2)$$

Non-Pairwise MRFs



Convert to tree-structured factor graph and redefine sum-product messages

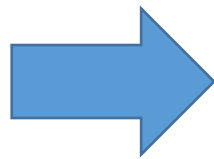
Notation Change

We will use slightly different notation for this section...

Previous Notation

$\psi(x)$: Factors

$m(x)$: Messages



New Notation

$f(x)$: Factors

$\mu(x)$: Messages

Sum-Product Belief Propagation

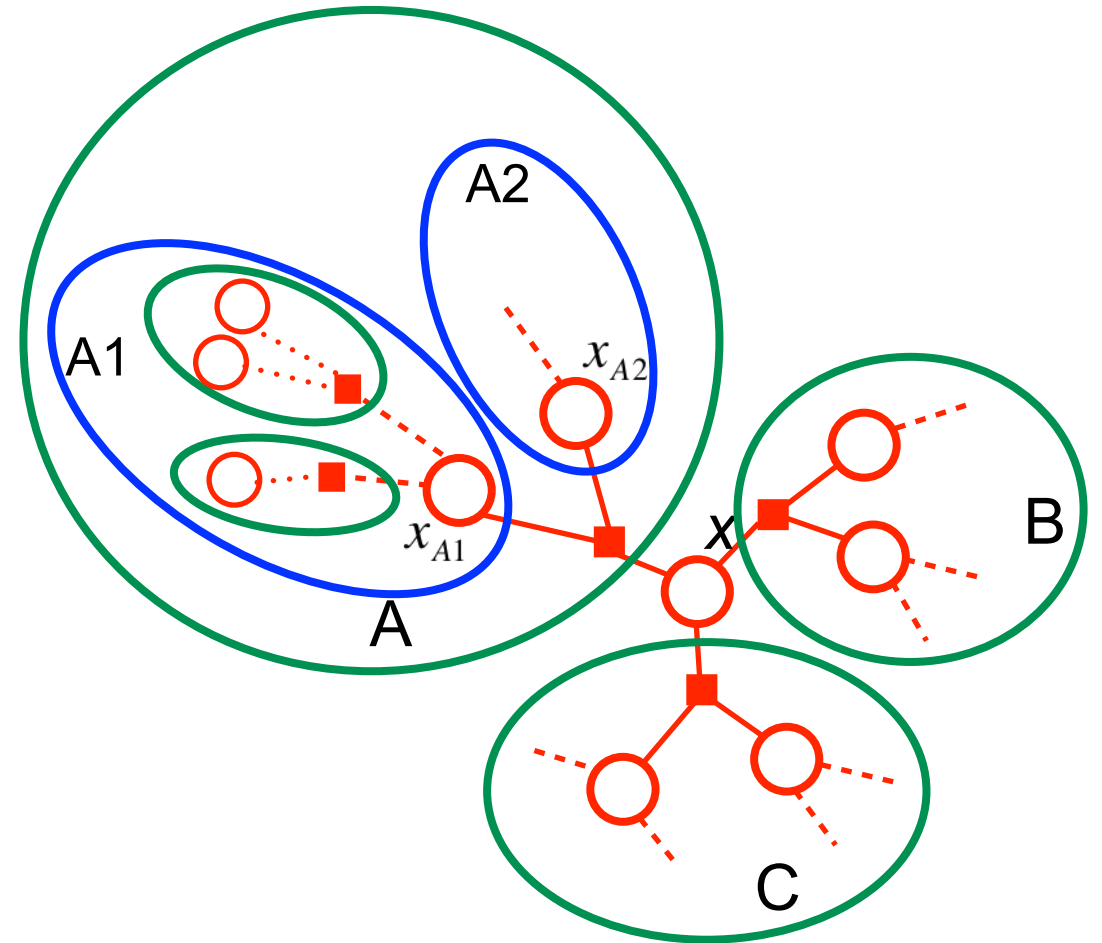
Sum-product extends to tree-structured *factor graphs*

Key Observation

Any variable node X with N factors splits graph into N subgraphs with no shared variables

Approach

Recursively decompose into subtrees and marginalize them

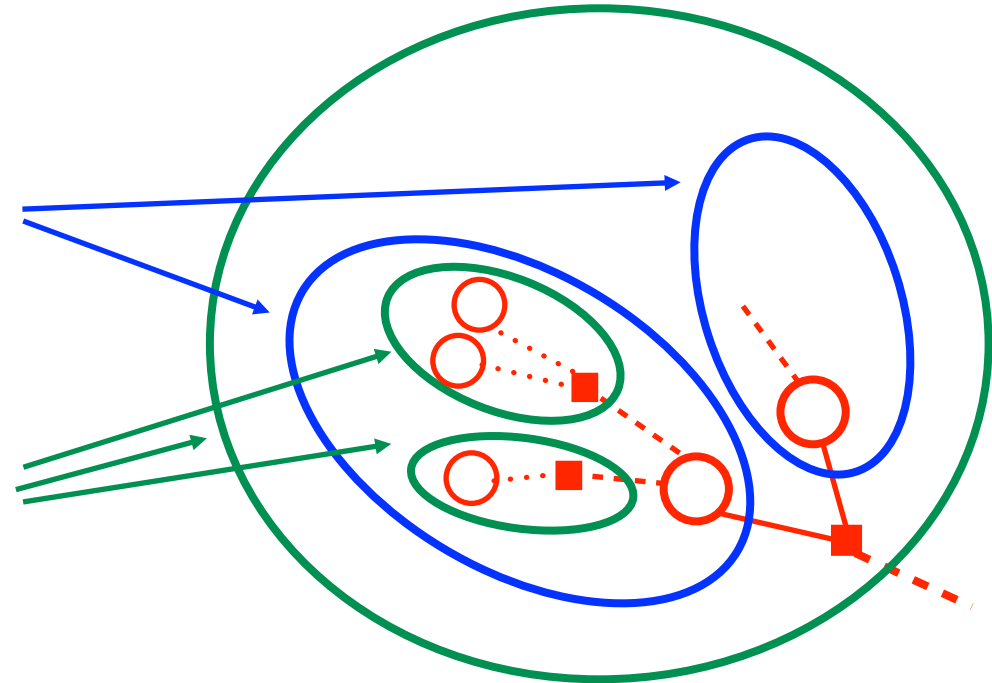


Sum-Product Belief Propagation

Two kinds of computations
marginalize different subtrees

Marginalize a sub-graph with a **variable node at its root** using the marginals of the sub-graphs attached to it.

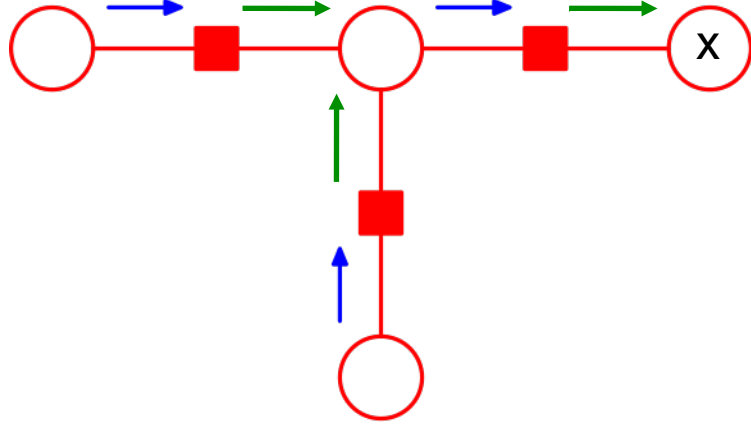
Marginalize a sub-graph with a **factor node at its root** using the marginals of the sub-graphs attached to it.



Each root node (variable or factor) “waits” for all messages from its children before being marginalized out

Sum-Product Belief Propagation

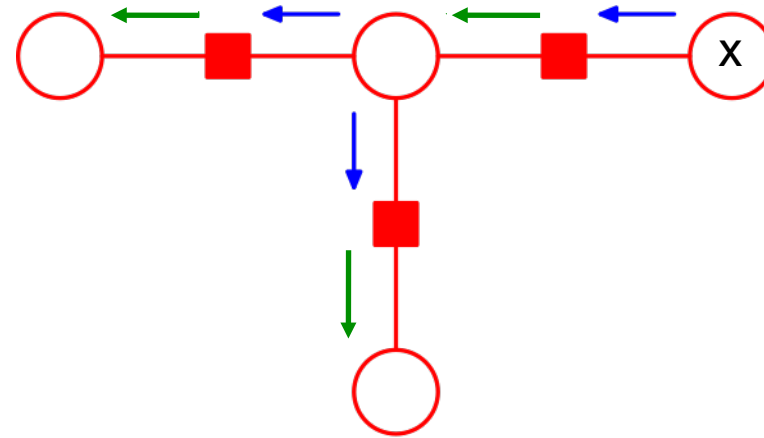
To the root (x)



Factor-to-variable

$$\mu_{f \rightarrow x}$$

From the root (x)



Variable-to-factor

$$\mu_{x \rightarrow f}$$

Factor-to-variable message

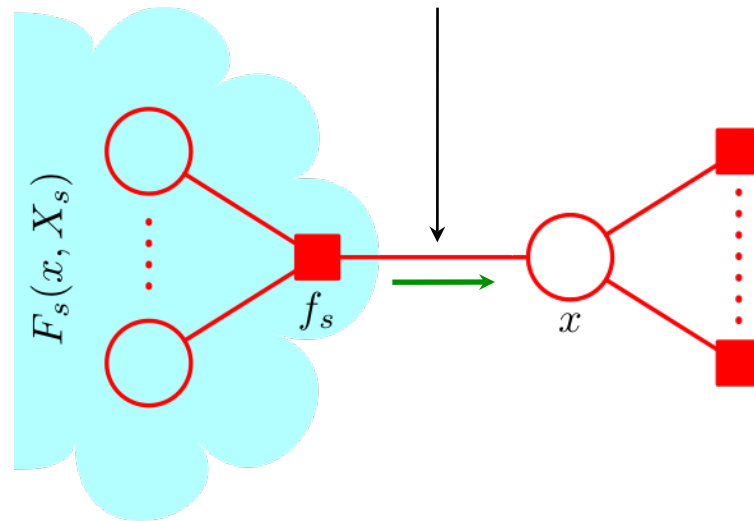
Let X_s be the variables of the sub-graph attached to a factor, f_s (as root).

Denote the distribution of the sub-graph by $F_s(x, X_s)$

Define the factor-to-variable message from f_s to x by:

$$\mu_{f_s \rightarrow x}(x) = \sum_{X_s} F_s(x, X_s)$$

The message is the marginal of the sub-graph with respect to all variables **except** x .



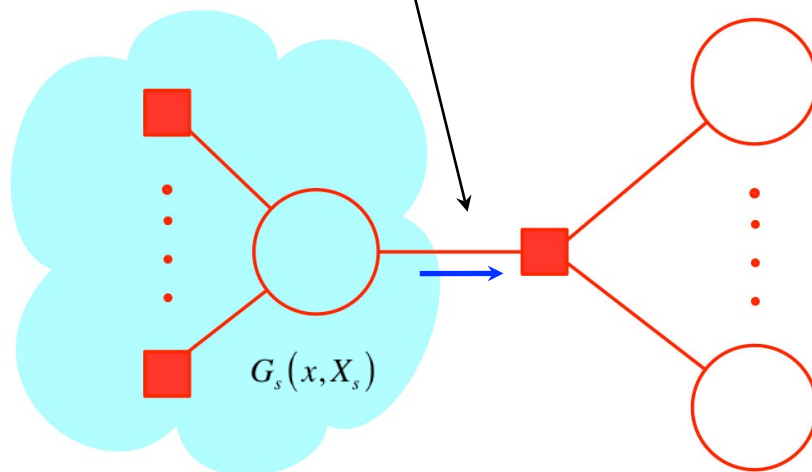
Variable-to-factor message

Let X_s be the variables in the sub-graph attached to a variable, x (as root).

Denote the distribution of the sub-graph by $G_s(x, X_s)$

Define the variable-to-factor message from x to f_s by:

$$\mu_{x \rightarrow f_s}(x) \equiv \sum_{X_s} G_s(x, X_s)$$

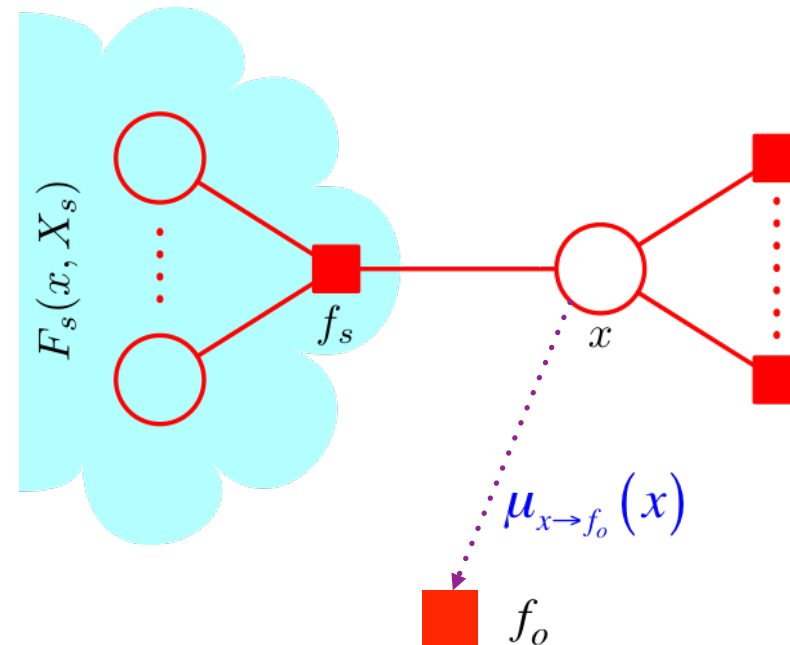


The message is the marginal of the sub-graph with respect to all variables **except** x .

What a variable node computes

The outgoing message to the factor, f_o , from x , is exactly the same marginal as the previous, except we exclude f_o .

$$\mu_{x \rightarrow f_o}(x) = \sum_{\mathbf{x}/x} \prod_{s \in ne(x)/f_o} F_s(x, X_s)$$

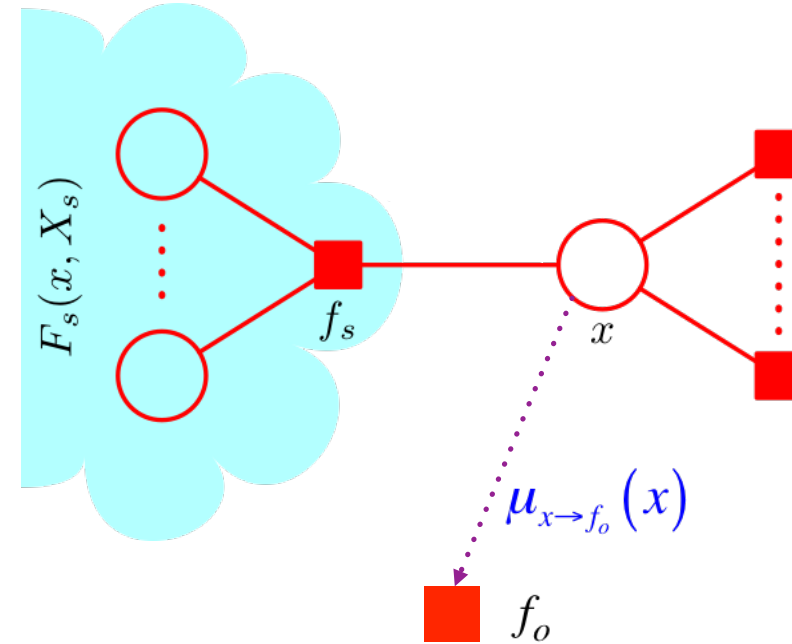


*This is **what** it computes, but not **how** it does it efficiently (i.e., as in the sum-product algorithm).

General variable node computation

The outgoing message to the factor, f_o , from x , is exactly the same marginal as the previous, except we exclude f_o .

$$\mu_{x \rightarrow f_o}(x) = \sum_{\mathbf{x}/x} \prod_{s \in ne(x)/f_o} F(x, X_s)$$



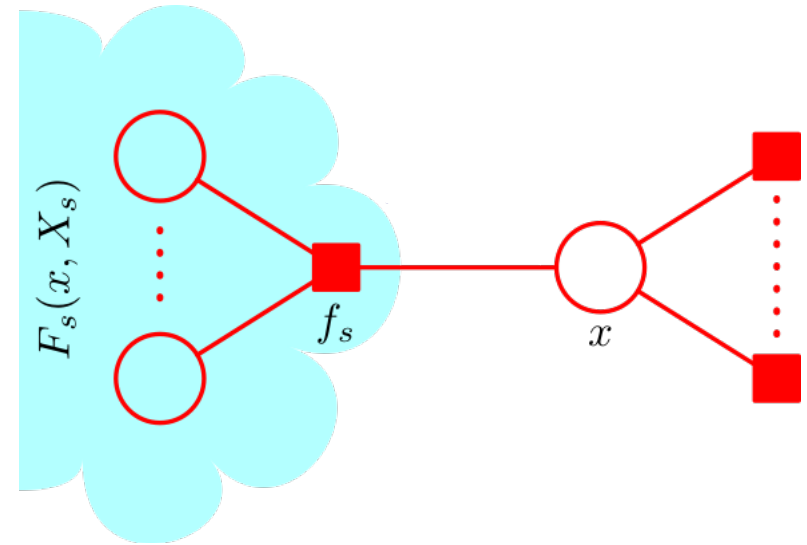
In the following, we will consider the first case, $\tilde{p}(x)$, but everything works the same for $\mu_{x \rightarrow f_o}(x)$.

What the **root** variable node computes

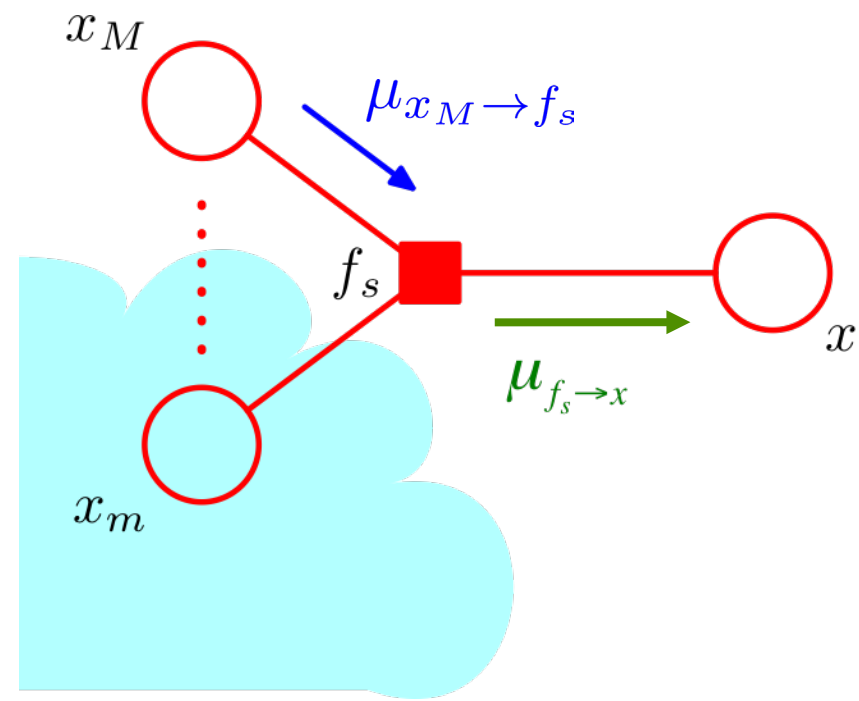
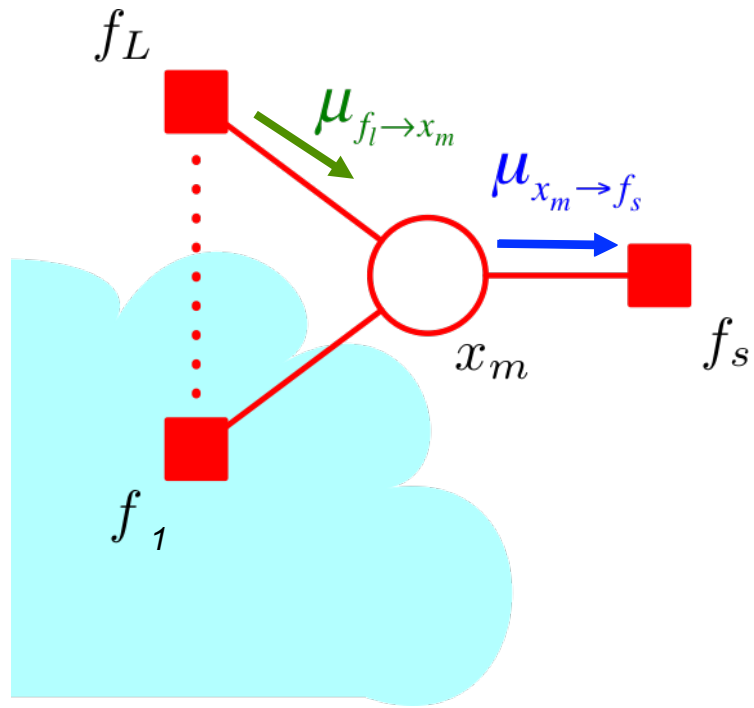
$$p(x) \propto \sum_{\mathbf{X} \setminus x} \prod_{s \in ne(x)} F_s(x, X_s)$$

Product contains all factors in the graph with root x .

($ne(\bullet)$ denotes neighbours)



Sum-product on a slide



Variable node x_m gathers messages, $\mu_{f_l \rightarrow x_m}$, and sends

$$\mu_{x_m \rightarrow f_s}(x_m) = \prod_{l \ni f_l \in n(x_m) \setminus f_s} \mu_{f_l \rightarrow x_m}(x_m)$$

Factor f_s gathers messages $\mu_{x_m \rightarrow f_s}(x_m)$, and sends

$$\mu_{f_s \rightarrow x}(x) = \sum_{x_1} \sum_{x_2} \cdots \sum_{x_M} f_s(x, x_1, x_2, \dots, x_M) \prod_{m \in ne(f_s) \setminus x} \mu_{x_m \rightarrow f_s}(x_m)$$

Marginal is product of incoming factor-to-variable messages:

$$p(x_m) \propto \prod_{f_l \in ne(x_m)} \mu_{f_l \rightarrow x_m}(x_m)$$

One point of confusion

The two products over messages look similar, but the **first**:

Variable node x_m gathers messages, $\mu_{f_i \rightarrow x_m}$, and sends

$$\mu_{x_m \rightarrow f_s}(x_m) = \prod_{l \ni f_l \in n(x_m) \setminus f_s} \mu_{f_l \rightarrow x_m}(x_m)$$

is a product of vectors, each over the same variable, but the **second** has the variable as the index in the product:

Factor f_s gathers messages $\mu_{x_m \rightarrow f_s}(x_m)$, and sends

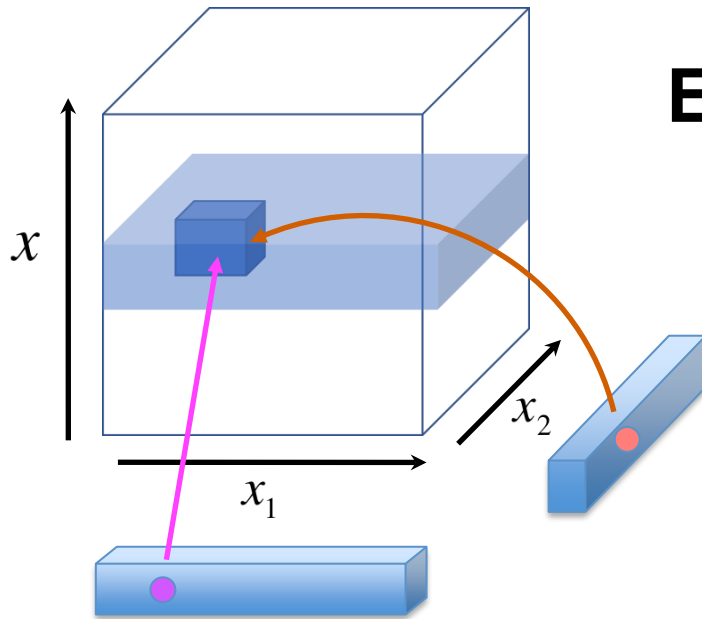
$$\mu_{f_s \rightarrow x}(x) = \sum_{x_1} \sum_{x_2} \cdots \sum_{x_M} f_s(x, x_1, x_2, \dots, x_M) \prod_{m \in ne(f_s) \setminus x} \mu_{x_m \rightarrow f_s}(x_m)$$

One point of confusion (continued)

There are several ways to interpret the message product:

$$\mu_{f_s \rightarrow x}(x) = \sum_{x_1} \sum_{x_2} \cdots \sum_{x_M} f_s(x, x_1, x_2, \dots, x_M) \prod_{m \in \text{ne}(f_s) \setminus x} \mu_{x_m \rightarrow f_s}(x_m)$$

N-dimensional analogue of the outer product creates a tensor:



E.g. For two messages each element of the sum corresponding to (x, x_1, x_2) is

$$f(x, x_1, x_2) \cdot \mu_1(x_1) \cdot \mu_2(x_2)$$

Computational Complexity

Factor f_s gathers messages $\mu_{x_m \rightarrow f_s}(x_m)$, and sends

$$\mu_{f_s \rightarrow x}(x) = \sum_{x_1} \sum_{x_2} \cdots \sum_{x_M} \underbrace{f_s(x, x_1, x_2, \dots, x_M) \prod_{m \in \text{ne}(f_s) \setminus x} \mu_{x_m \rightarrow f_s}(x_m)}_{\text{Intermediate factor}}$$

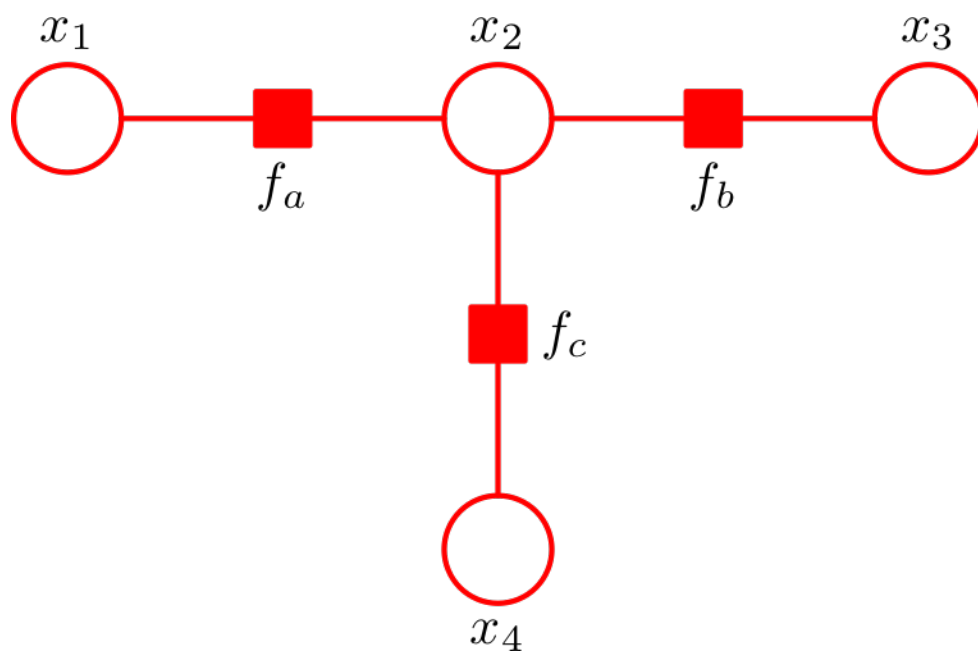
Intermediate factor

$$\phi(x, x_1, x_2, \dots, x_M)$$

Assuming all variables are K -valued, intermediate factor with $M+1$ variables has $\mathcal{O}(K^{M+1})$ entries

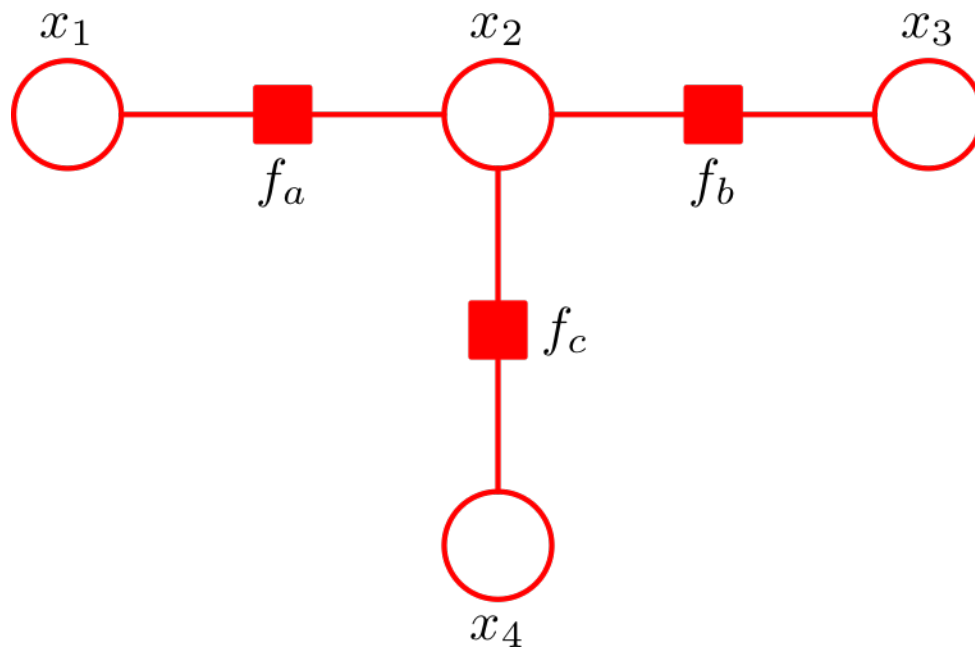
Sum-product algorithm example

Let $\tilde{p}(\mathbf{x}) = f_a(x_1, x_2) f_b(x_2, x_3) f_c(x_2, x_4)$



Sum-product algorithm example

Let $\tilde{p}(\mathbf{x}) = f_a(x_1, x_2) f_b(x_2, x_3) f_c(x_2, x_4)$

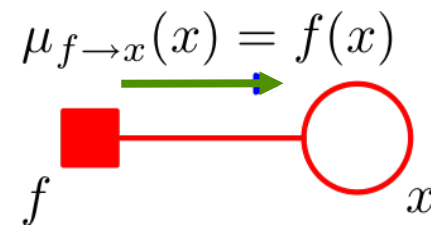
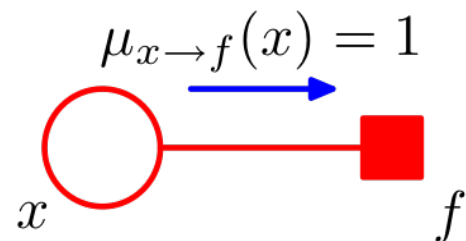


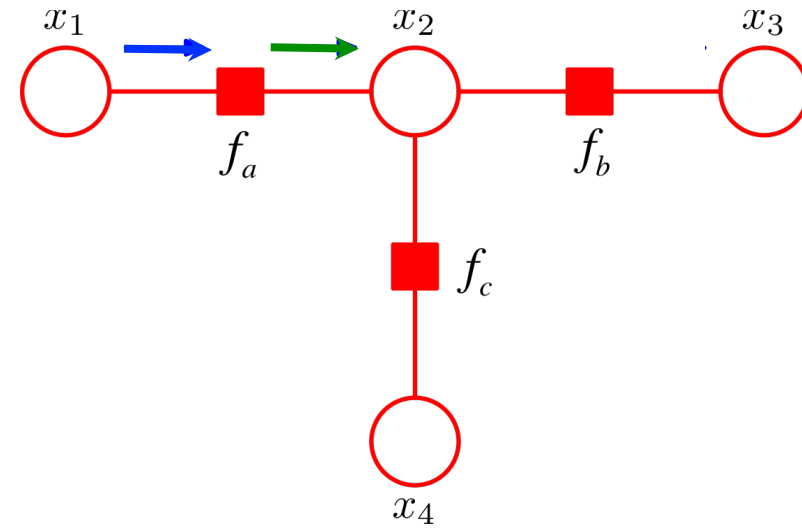
Declare x_3
as root
node.

The sum-product algorithm

First, pass messages from leaves to your chosen root node.
If you want more than one marginal or plan to do other computation, store the results as you go.

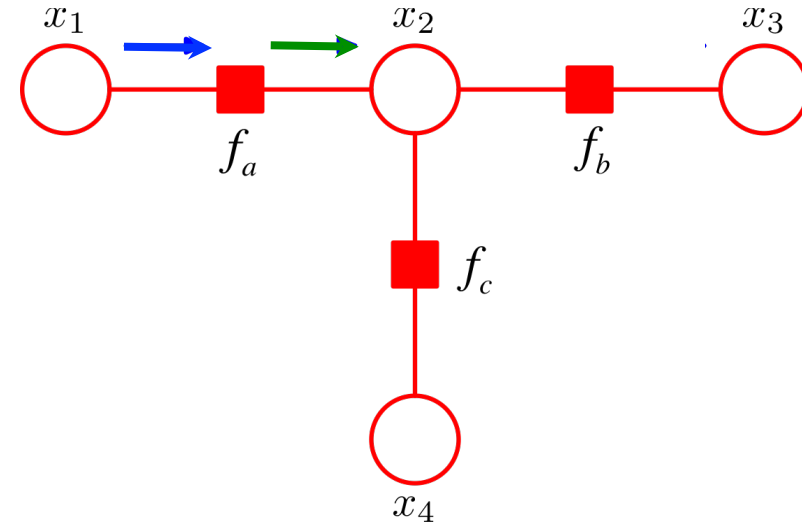
Initialization: If leaf node is a variable node, then start with a unity message. If leaf node is factor, then start with the factor.





$$\mu_{x_1 \rightarrow f_a}(x_1) = 1$$

$$\mu_{f_a \rightarrow x_2}(x_2) = \sum_{x_1} f_a(x_1, x_2)$$



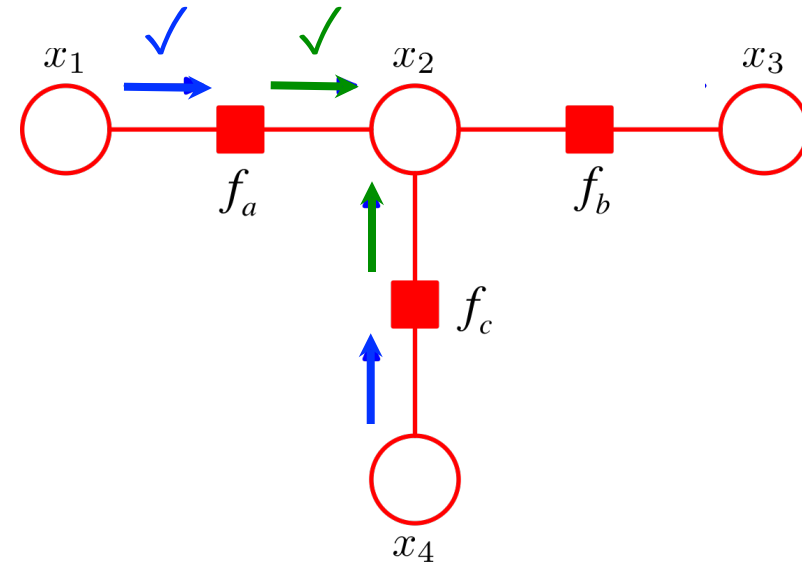
$$\mu_{x_1 \rightarrow f_a}(x_1) = 1$$

$$\mu_{f_a \rightarrow x_2}(x_2) = \sum_{x_1} f_a(x_1, x_2)$$

Recall the general case (don't confuse general variables with this example)

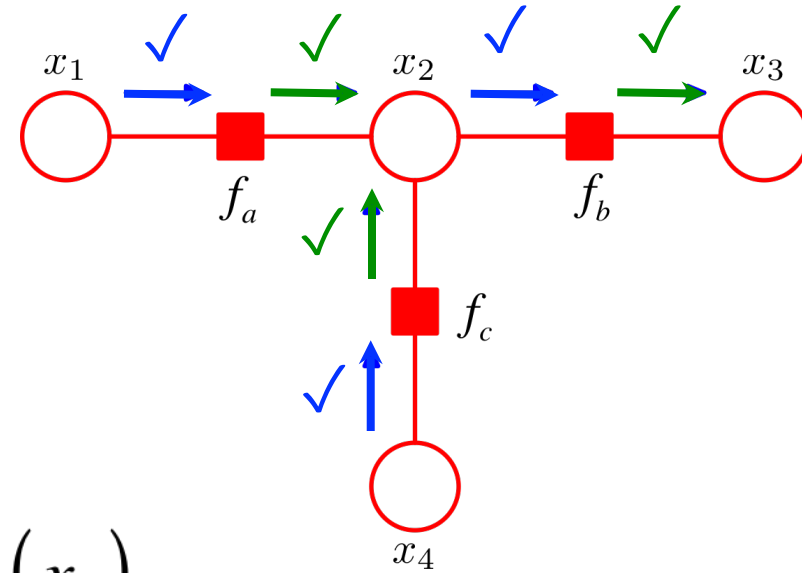
Factor f_s gathers messages $\mu_{x_m \rightarrow f_s}(x_m)$, and sends

$$\mu_{f_s \rightarrow x}(x) = \sum_{x_1} \sum_{x_2} \cdots \sum_{x_M} f_s(x, x_1, x_2, \dots, x_M) \prod_{m \in ne(f_s) \setminus x} \mu_{x_m \rightarrow f_s}(x_m)$$



$$\mu_{x_4 \rightarrow f_c}(x_4) = 1$$

$$\mu_{f_c \rightarrow x_2}(x_2) = \sum_{x_4} f_c(x_2, x_4)$$



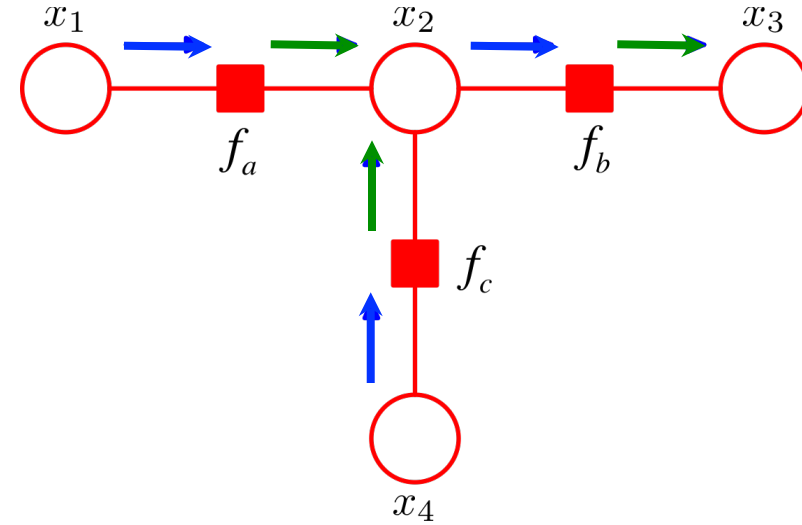
$$\mu_{x_2 \rightarrow f_b}(x_2) = \mu_{f_a \rightarrow x_2}(x_2) \mu_{f_c \rightarrow x_2}(x_2)$$

$$\mu_{f_b \rightarrow x_3}(x_3) = \sum_{x_2} f_b(x_2, x_3) \mu_{x_2 \rightarrow f_b}(x_2)$$

We now have the marginal at X_3 :

$$p(x_3) \propto \mu_{f_b \rightarrow x_3}(x_3)$$

Summary of messages
from leaves to root



$$\mu_{x_1 \rightarrow f_a}(x_1) = 1$$

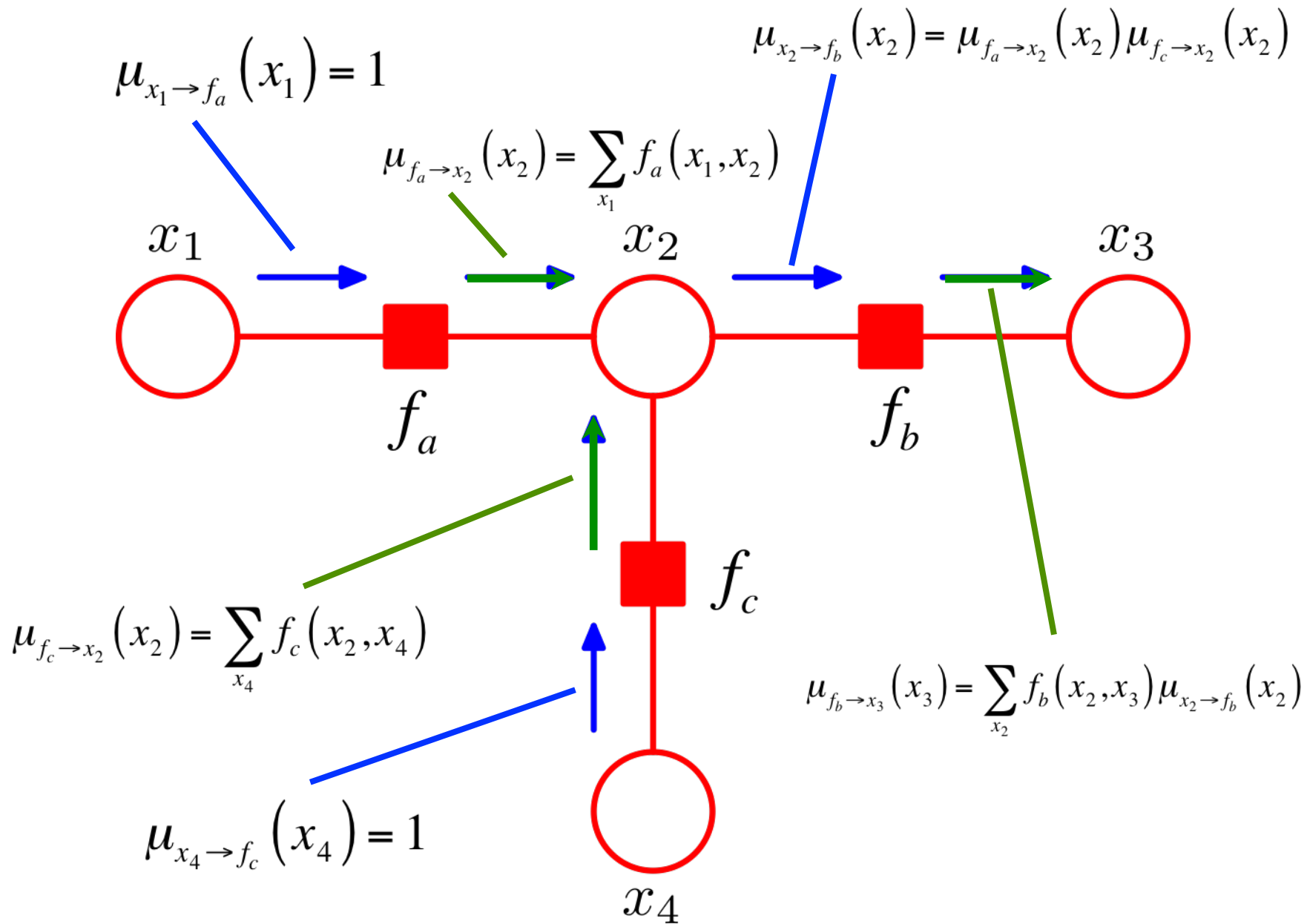
$$\mu_{f_a \rightarrow x_2}(x_2) = \sum_{x_1} f_a(x_1, x_2)$$

$$\mu_{x_4 \rightarrow f_c}(x_4) = 1$$

$$\mu_{f_c \rightarrow x_2}(x_2) = \sum_{x_4} f_c(x_2, x_4)$$

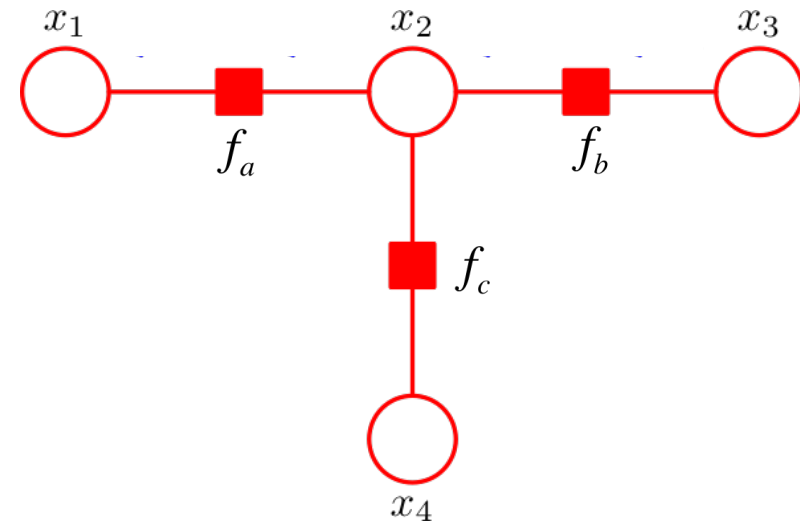
$$\mu_{x_2 \rightarrow f_b}(x_2) = \mu_{f_a \rightarrow x_2}(x_2) \mu_{f_c \rightarrow x_2}(x_2)$$

$$\mu_{f_b \rightarrow x_3}(x_3) = \sum_{x_2} f_b(x_2, x_3) \mu_{x_2 \rightarrow f_b}(x_2)$$



Next we want to set up for additional computations, we pass messages from root to leaves.

Candidate for the first and second ones?

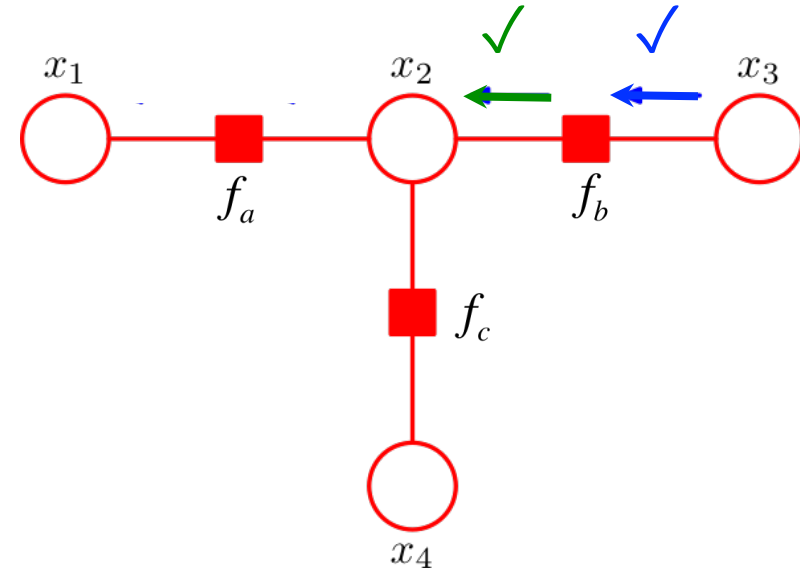


Passing messages
from root to leaves.

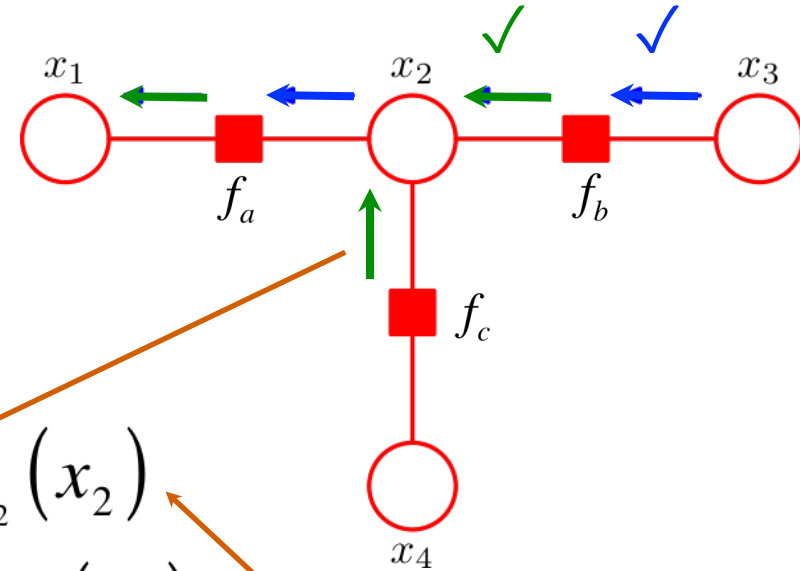
$$\mu_{x_3 \rightarrow f_b}(x_3) = 1$$

$$\mu_{f_b \rightarrow x_2}(x_2) = \sum_{x_3} f_b(x_2, x_3)$$

Candidate for
third and fourth?



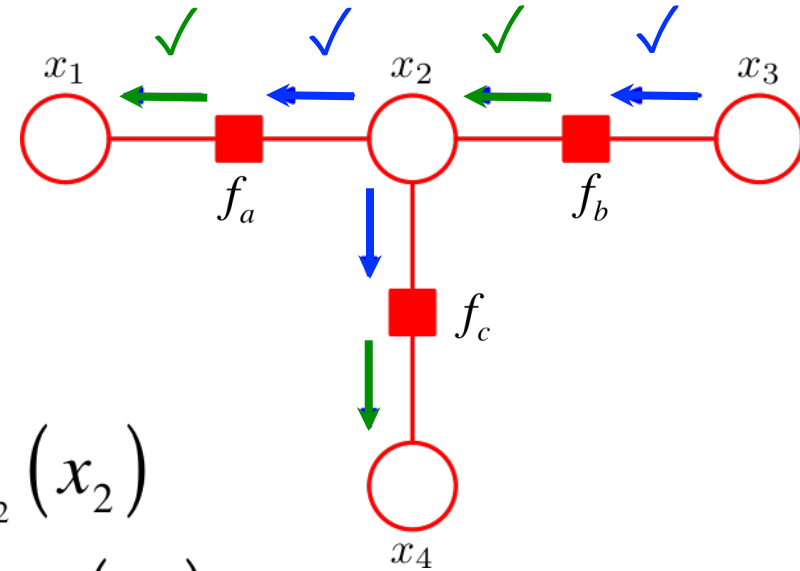
Lets go towards x_1 first.



$$\mu_{x_2 \rightarrow f_a}(x_2) = \mu_{f_b \rightarrow x_2}(x_2) \mu_{f_c \rightarrow x_2}(x_2)$$

$$\mu_{f_a \rightarrow x_1}(x_1) = \sum_{x_2} f_a(x_1, x_2) \mu_{x_2 \rightarrow f_a}(x_2)$$

Note use of saved message from going the other way.

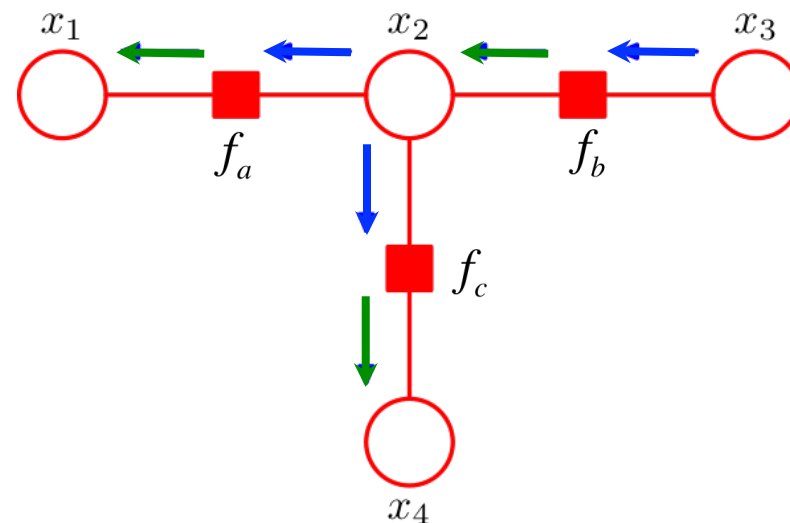


$$\mu_{x_2 \rightarrow f_c}(x_2) = \mu_{f_a \rightarrow x_2}(x_2) \mu_{f_b \rightarrow x_2}(x_2)$$

$$\mu_{f_c \rightarrow x_4}(x_4) = \sum_{x_2} f_c(x_2, x_4) \mu_{x_2 \rightarrow f_c}(x_2)$$

(similar to previous one)

Summary of messages
from root to leaves.



$$\mu_{x_3 \rightarrow f_b}(x_3) = 1$$

$$\mu_{f_b \rightarrow x_2}(x_2) = \sum_{x_3} f_b(x_2, x_3)$$

$$\mu_{x_2 \rightarrow f_a}(x_2) = \mu_{f_b \rightarrow x_2}(x_2) \mu_{f_c \rightarrow x_2}(x_2)$$

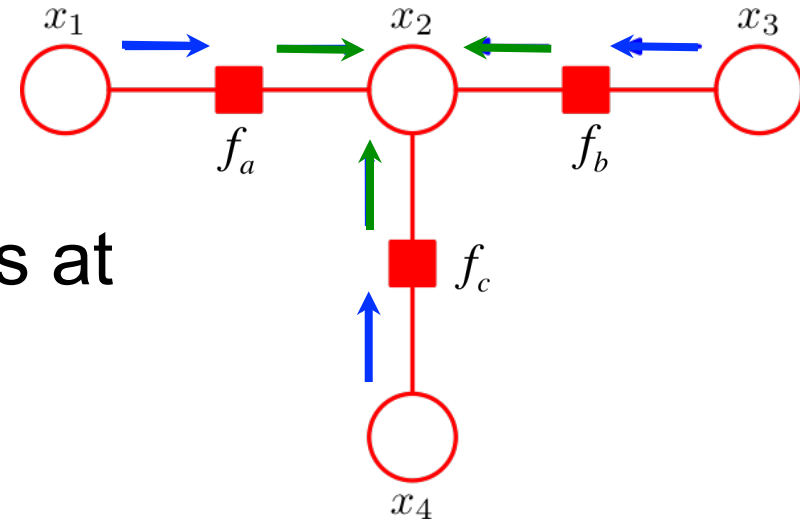
$$\mu_{f_a \rightarrow x_1}(x_1) = \sum_{x_2} f_a(x_1, x_2) \mu_{x_2 \rightarrow f_a}(x_2)$$

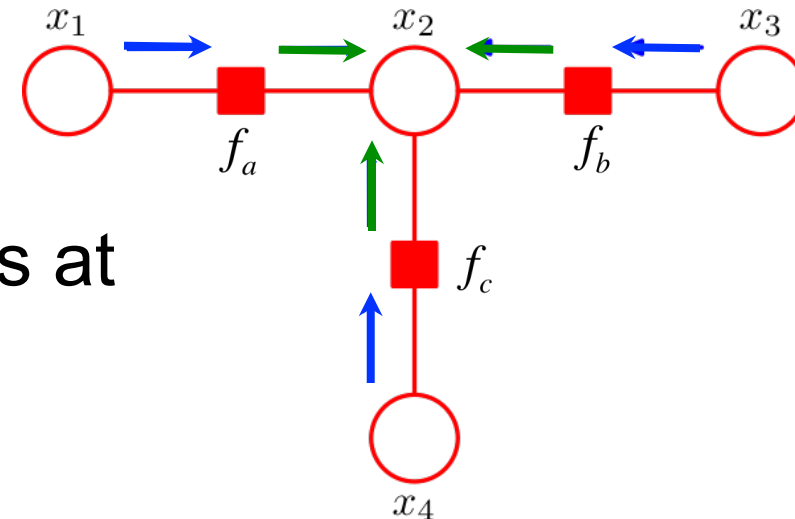
$$\mu_{x_2 \rightarrow f_c}(x_2) = \mu_{f_a \rightarrow x_2}(x_2) \mu_{f_b \rightarrow x_2}(x_2)$$

$$\mu_{f_c \rightarrow x_4}(x_4) = \sum_{x_2} f_c(x_2, x_4) \mu_{x_2 \rightarrow f_c}(x_2)$$

We can now compute marginals at *any* variable, e.g. X_2 :

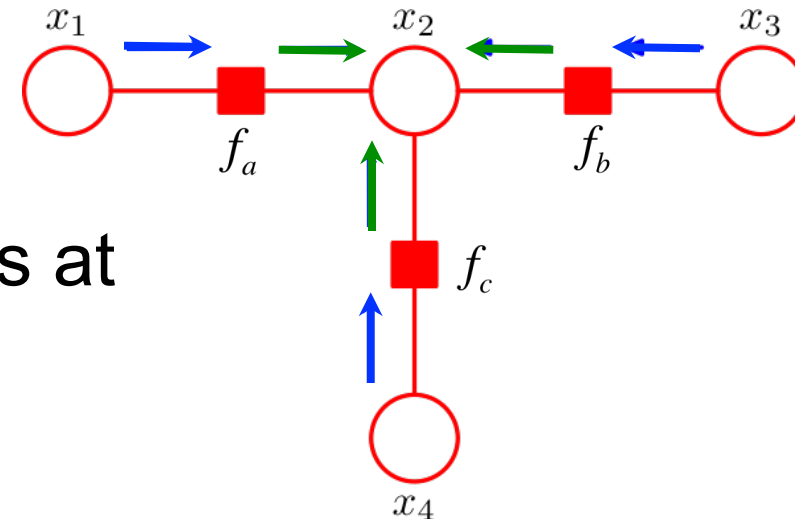
$$\tilde{p}(x_2) = \mu_{f_a \rightarrow x_2}(x_2) \mu_{f_b \rightarrow x_2}(x_2) \mu_{f_c \rightarrow x_2}(x_2)$$





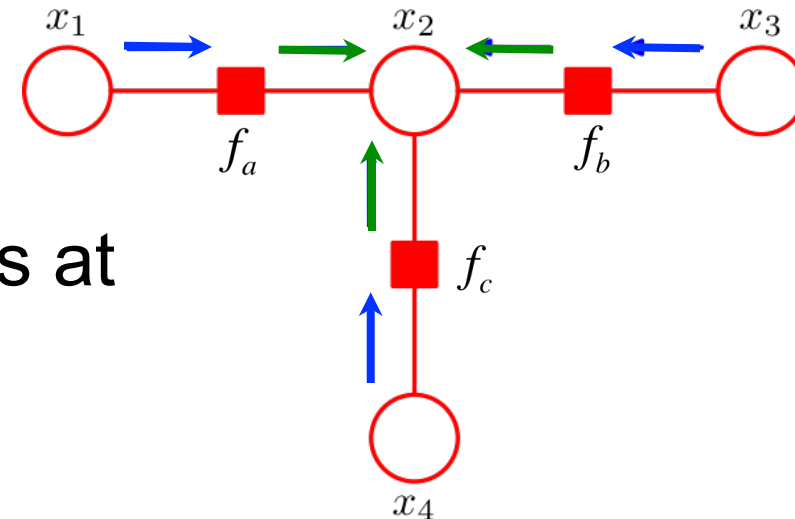
We can now compute marginals at *any* variable, e.g. X_2 :

$$\begin{aligned}
 \tilde{p}(x_2) &= \mu_{f_a \rightarrow x_2}(x_2) \mu_{f_b \rightarrow x_2}(x_2) \mu_{f_c \rightarrow x_2}(x_2) \\
 &= \left(\sum_{x_1} f_a(x_1, x_2) \mu_{x_1 \rightarrow f_a}(x_1) \right) \left(\sum_{x_3} f_b(x_2, x_3) \mu_{x_3 \rightarrow f_b}(x_3) \right) \left(\sum_{x_4} f_c(x_2, x_4) \mu_{x_4 \rightarrow f_c}(x_4) \right)
 \end{aligned}$$



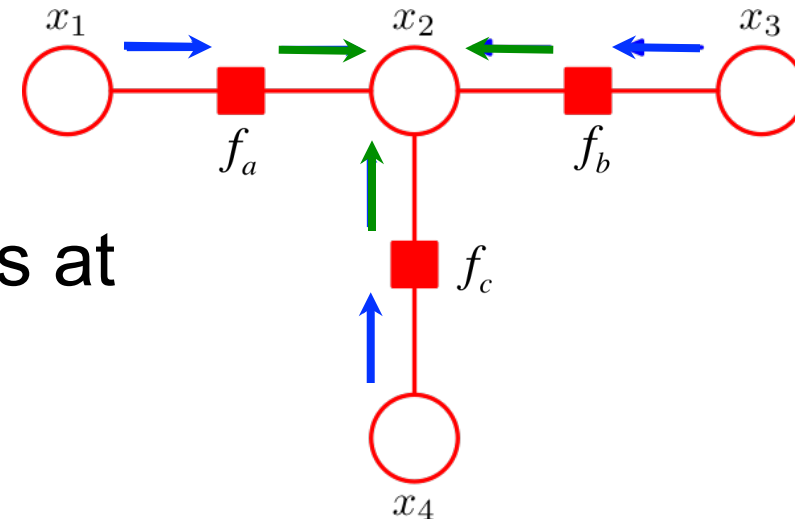
We can now compute marginals at *any* variable, e.g. X_2 :

$$\begin{aligned}
 \tilde{p}(x_2) &= \mu_{f_a \rightarrow x_2}(x_2) \mu_{f_b \rightarrow x_2}(x_2) \mu_{f_c \rightarrow x_2}(x_2) \\
 &= \left(\sum_{x_1} f_a(x_1, x_2) \mu_{x_1 \rightarrow f_a}(x_1) \right) \left(\sum_{x_3} f_b(x_2, x_3) \mu_{x_3 \rightarrow f_b}(x_3) \right) \left(\sum_{x_4} f_c(x_2, x_4) \mu_{x_4 \rightarrow f_c}(x_4) \right) \\
 &= \left(\sum_{x_1} f_a(x_1, x_2) \right) \left(\sum_{x_3} f_b(x_2, x_3) \right) \left(\sum_{x_4} f_c(x_2, x_4) \right)
 \end{aligned}$$



We can now compute marginals at *any* variable, e.g. X_2 :

$$\begin{aligned}
 \tilde{p}(x_2) &= \mu_{f_a \rightarrow x_2}(x_2) \mu_{f_b \rightarrow x_2}(x_2) \mu_{f_c \rightarrow x_2}(x_2) \\
 &= \left(\sum_{x_1} f_a(x_1, x_2) \mu_{x_1 \rightarrow f_a}(x_1) \right) \left(\sum_{x_3} f_b(x_2, x_3) \mu_{x_3 \rightarrow f_b}(x_3) \right) \left(\sum_{x_4} f_c(x_2, x_4) \mu_{x_4 \rightarrow f_c}(x_4) \right) \\
 &= \left(\sum_{x_1} f_a(x_1, x_2) \right) \left(\sum_{x_3} f_b(x_2, x_3) \right) \left(\sum_{x_4} f_c(x_2, x_4) \right) \\
 &= \sum_{x_1} \sum_{x_3} \sum_{x_4} f_a(x_1, x_2) f_b(x_2, x_3) f_c(x_2, x_4)
 \end{aligned}$$



We can now compute marginals at *any* variable, e.g. X_2 :

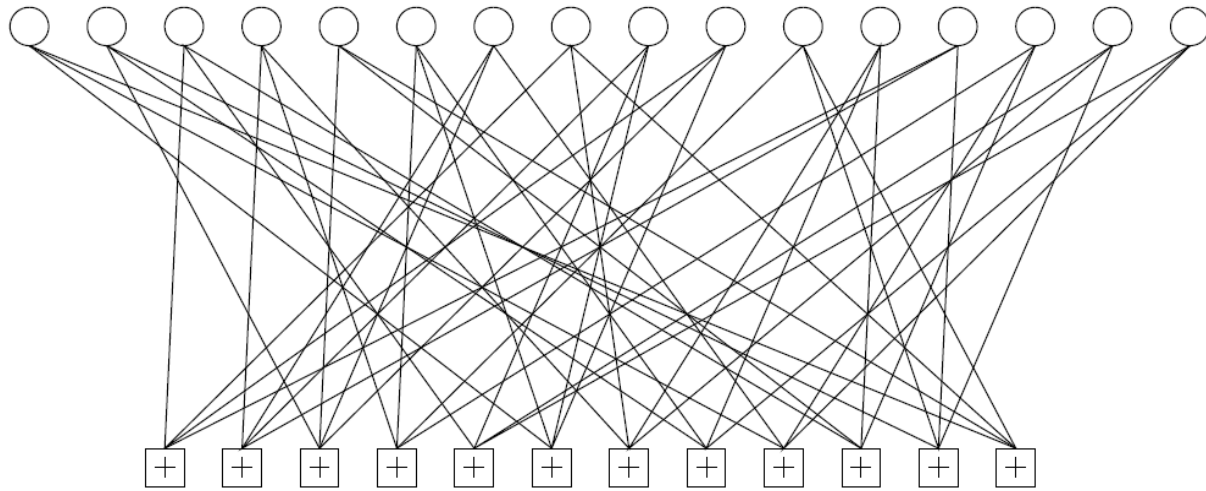
$$\begin{aligned}
 \tilde{p}(x_2) &= \mu_{f_a \rightarrow x_2}(x_2) \mu_{f_b \rightarrow x_2}(x_2) \mu_{f_c \rightarrow x_2}(x_2) \\
 &= \left(\sum_{x_1} f_a(x_1, x_2) \mu_{x_1 \rightarrow f_a}(x_1) \right) \left(\sum_{x_3} f_b(x_2, x_3) \mu_{x_3 \rightarrow f_b}(x_3) \right) \left(\sum_{x_4} f_c(x_2, x_4) \mu_{x_4 \rightarrow f_c}(x_4) \right) \\
 &= \left(\sum_{x_1} f_a(x_1, x_2) \right) \left(\sum_{x_3} f_b(x_2, x_3) \right) \left(\sum_{x_4} f_c(x_2, x_4) \right) \\
 &= \sum_{x_1} \sum_{x_3} \sum_{x_4} f_a(x_1, x_2) f_b(x_2, x_3) f_c(x_2, x_4) \\
 &= \sum_{x_1} \sum_{x_3} \sum_{x_4} \tilde{p}(\mathbf{x})
 \end{aligned}$$

Outline

- Sum-Product Belief Propagation
- **Loopy Belief Propagation**
- Variable Elimination
- Junction Tree Algorithm
- Max-Product Belief Propagation

Example: Low Density Parity Check (LDPC) Codes

Factor Graph Representation



Problem Setup

- A code t is transmitted over a noisy
- Received code r is corrupted by noise
- Estimate the most probable code that was sent t^* (*maximum a posteriori*)

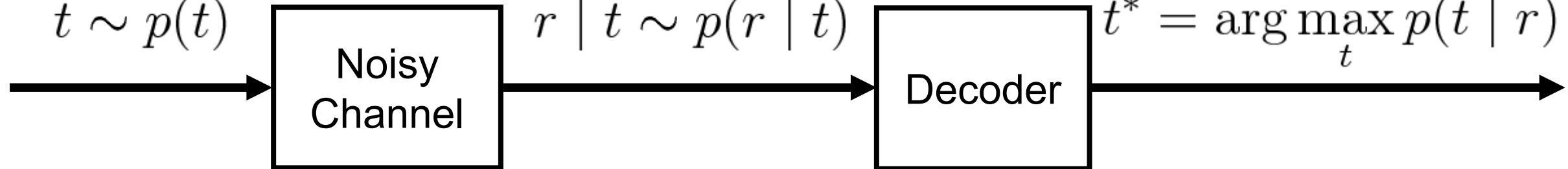
Transmitted Code

$$t \sim p(t)$$

Received Code

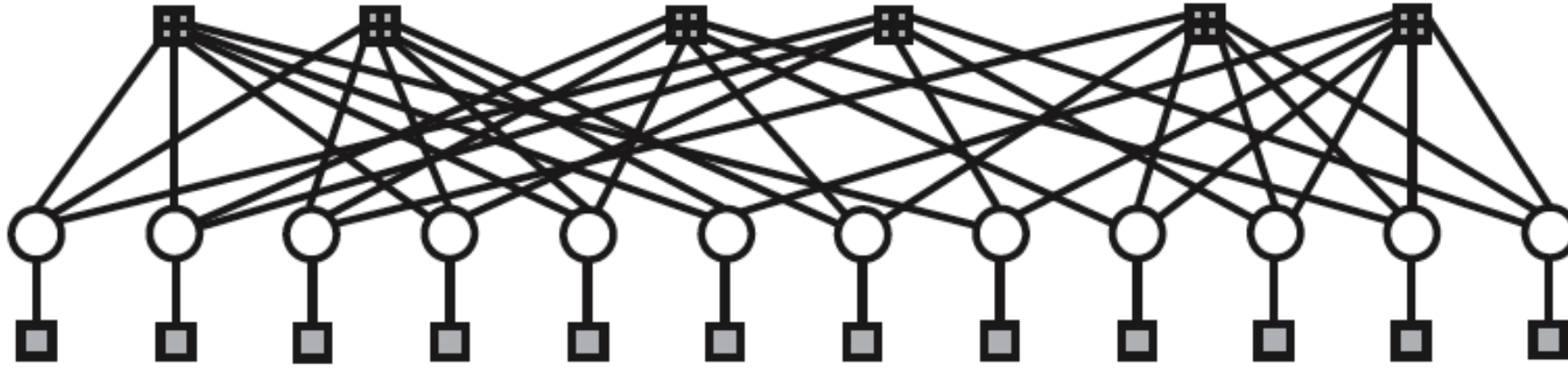
$$r \mid t \sim p(r \mid t)$$

$$t^* = \arg \max_t p(t \mid r)$$



Example: Low Density Parity Check (LDPC) Codes

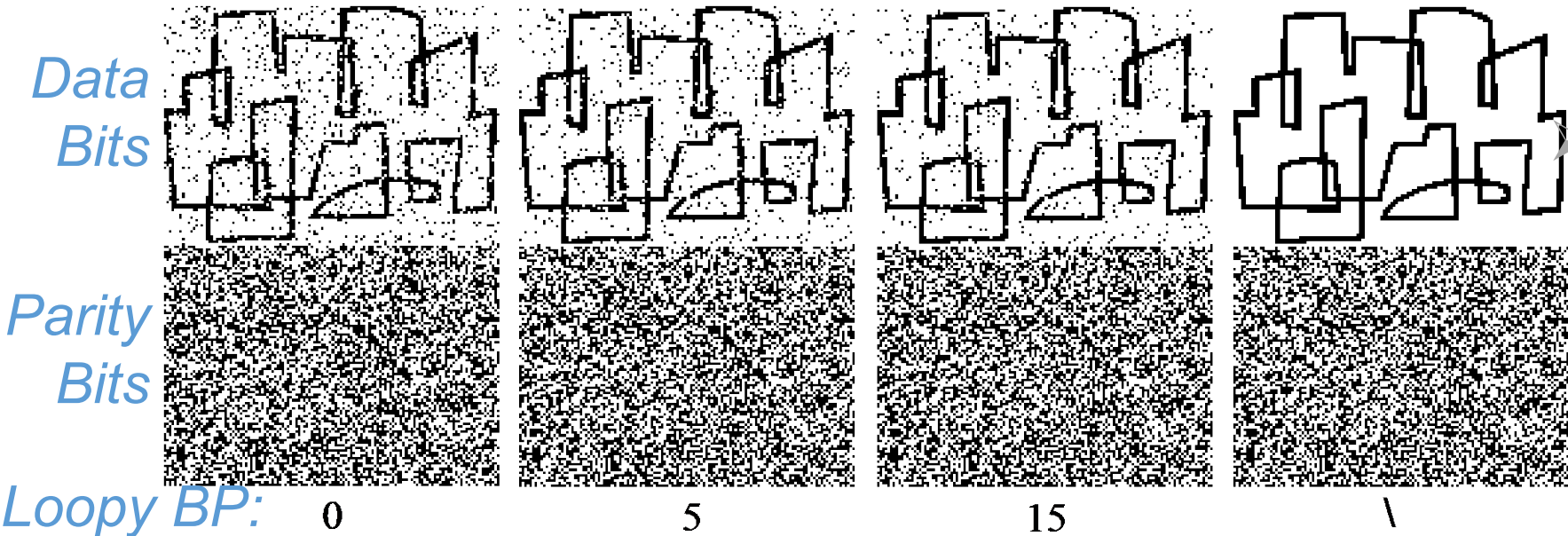
Parity Check Factors



➤ Each variable node is binary, so $x_s \in \{0, 1\}$

➤ *Parity check factors* equal 1 if the sum of the connected bits is even, 0 if the sum is odd (invalid codewords are excluded)

Evidence (observation) Factors



➤ *Unary evidence factors* equal probability that each bit is a 0 or 1, given data. Assumes independent “noise” on each bit.

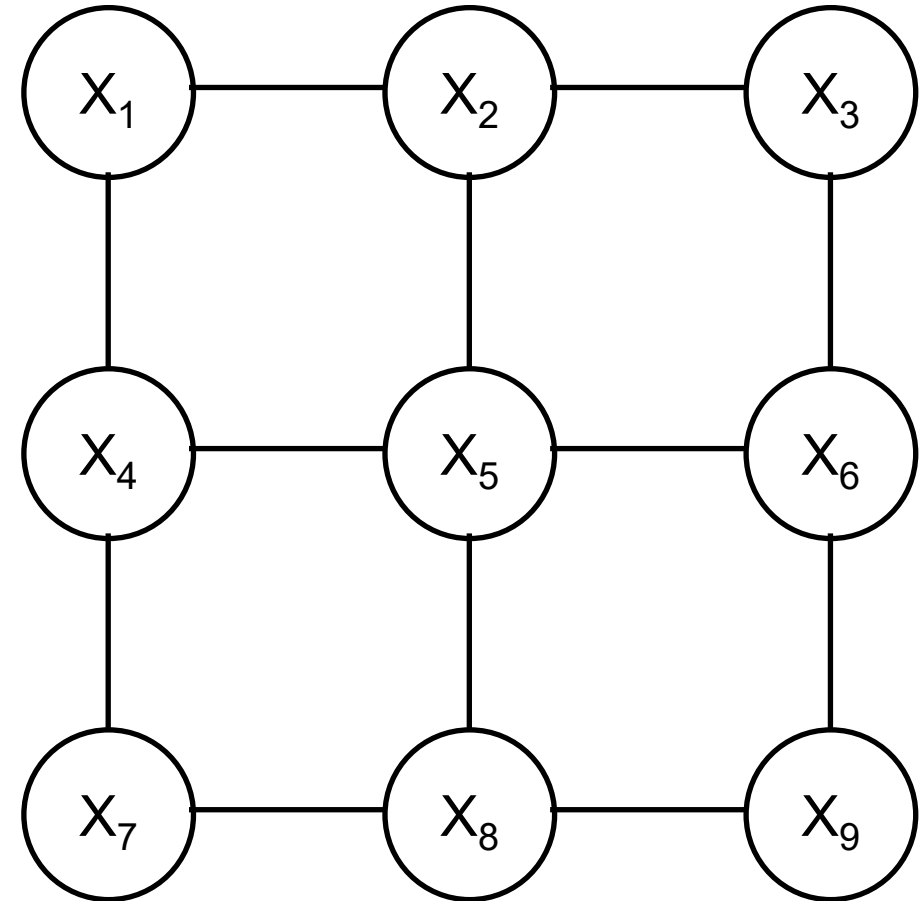
BP for Loopy Graphs

Suppose we have a graph with cycles...

Sum-product BP for tree-structured graphs relies on a leaf-to-root / root-to-leaf sequential update schedule

Graphs with cycles are “loopy” and have no obvious message ordering

Where do we even start? Every node requires initial messages...



BP for Loopy Graphs

Observe BP message update only depends on Markov Blanket:

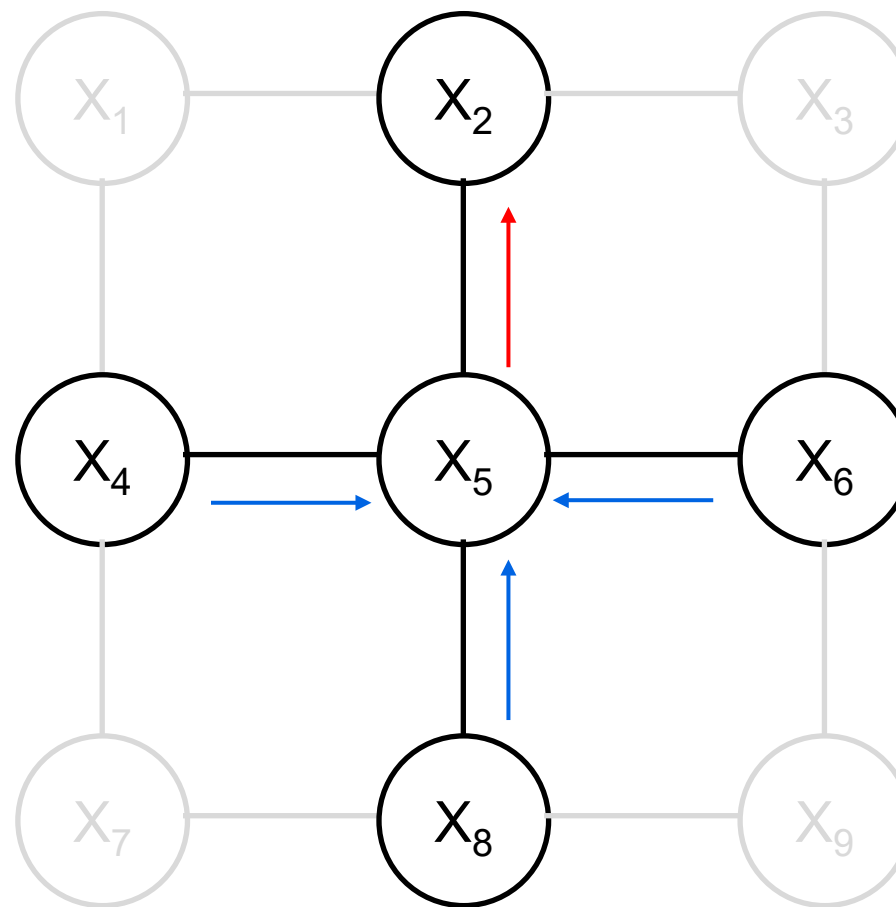
$$m_{52}(x_2) = \sum_{x_5} \psi(x_2, x_5) \prod_{k \in \Gamma(5) \setminus 2} m_{k5}(x_5)$$

Where Γ is the set of neighbors:

$$\Gamma(s) = \{t : (s, t) \in \mathcal{E}\}$$

Idea Initialize all messages (somehow) then iteratively update each message until “convergence”.

What is convergence? Will this converge? If so, then to what?



Loopy Belief Propagation (sum-product)

Initialize Messages

Constant: $m_{st}^0(x_t) = \text{const.}$

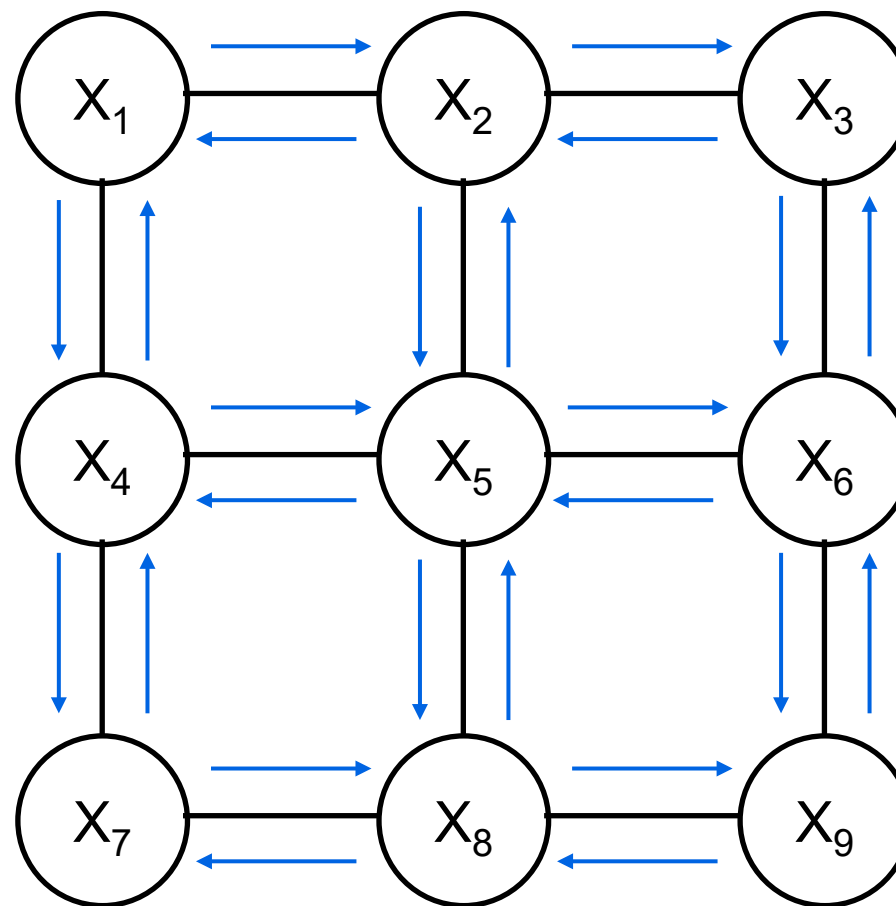
Random: $m_{st}^0(x_t) \sim U([0, 1])$

Parallel (Synchronous) Updates

At iteration i update *all* messages *in parallel* using current messages m^{i-1} from previous iteration:

$$m_{st}^i(x_t) = \sum_{x_s} \psi_{st}(x_s, x_t) \prod_{k \in \Gamma(s) \setminus t} m_{ks}^{i-1}(x_s)$$

- Store, both, the *previous* messages (from iteration $i-1$) and *current* messages (from iteration i)
- Many convergence results assume parallel updates



Loopy Belief Propagation (sum-product)

Initialize Messages

Constant: $m_{st}^0(x_t) = \text{const.}$

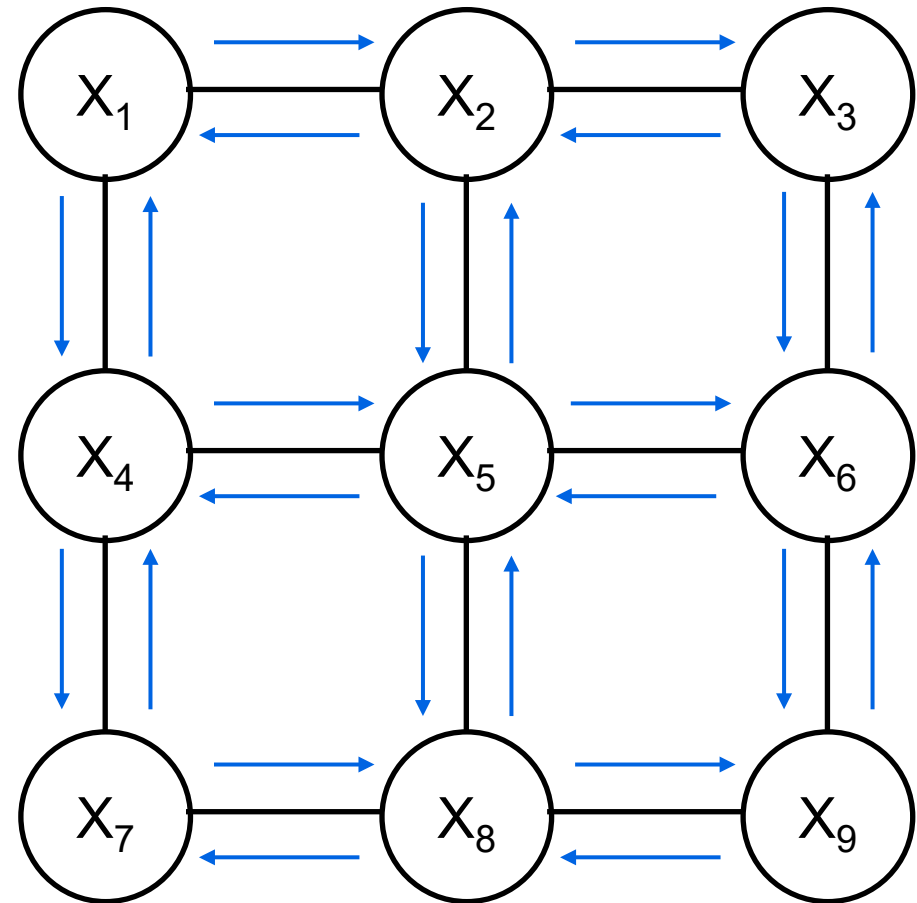
Random: $m_{st}^0(x_t) \sim U([0, 1])$

Asynchronous (Sequential) Updates

Choose an ordering of nodes and update using the latest available messages:

$$m_{st}(x_t) = \sum_{x_s} \psi_{st}(x_s, x_t) \prod_{k \in \Gamma(s) \setminus t} m_{ks}(x_s)$$

- Simplifies updates since only need to keep track of one copy of messages
- Makes parallel processing trickier



Loopy Belief Propagation (sum-product)

Initialize Messages

Constant: $m_{st}^0(x_t) = \text{const.}$

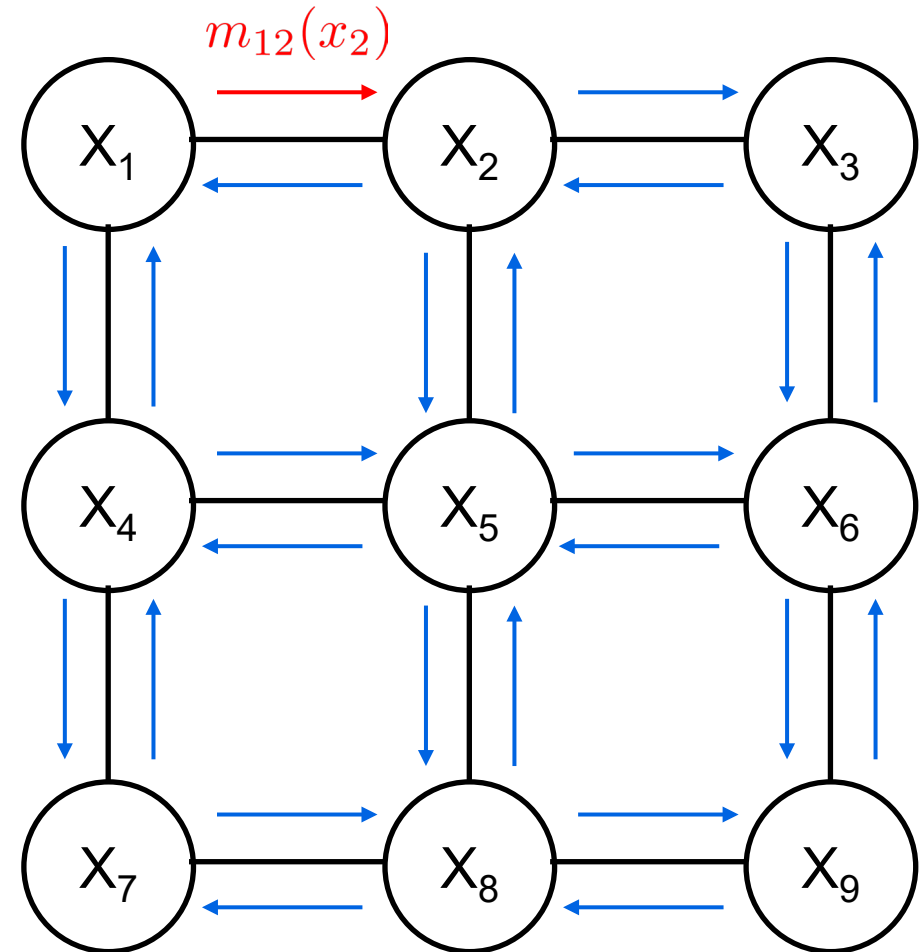
Random: $m_{st}^0(x_t) \sim U([0, 1])$

Asynchronous (Sequential) Updates

Choose an ordering of nodes and update using the latest available messages:

$$m_{st}(x_t) = \sum_{x_s} \psi_{st}(x_s, x_t) \prod_{k \in \Gamma(s) \setminus t} m_{ks}(x_s)$$

- Simplifies updates since only need to keep track of one copy of messages
- Makes parallel processing trickier



Loopy Belief Propagation (sum-product)

Initialize Messages

Constant: $m_{st}^0(x_t) = \text{const.}$

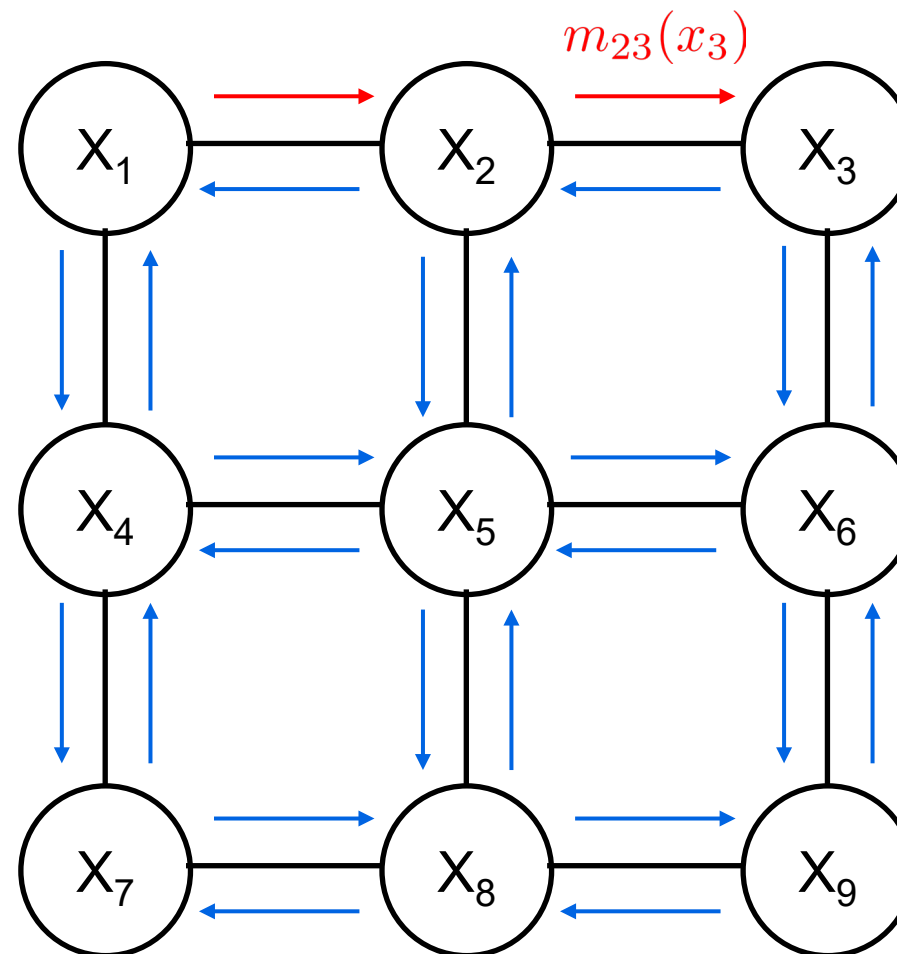
Random: $m_{st}^0(x_t) \sim U([0, 1])$

Asynchronous (Sequential) Updates

Choose an ordering of nodes and update using the latest available messages:

$$m_{st}(x_t) = \sum_{x_s} \psi_{st}(x_s, x_t) \prod_{k \in \Gamma(s) \setminus t} m_{ks}(x_s)$$

- Simplifies updates since only need to keep track of one copy of messages
- Makes parallel processing trickier



Loopy Belief Propagation (sum-product)

Initialize Messages

Constant: $m_{st}^0(x_t) = \text{const.}$

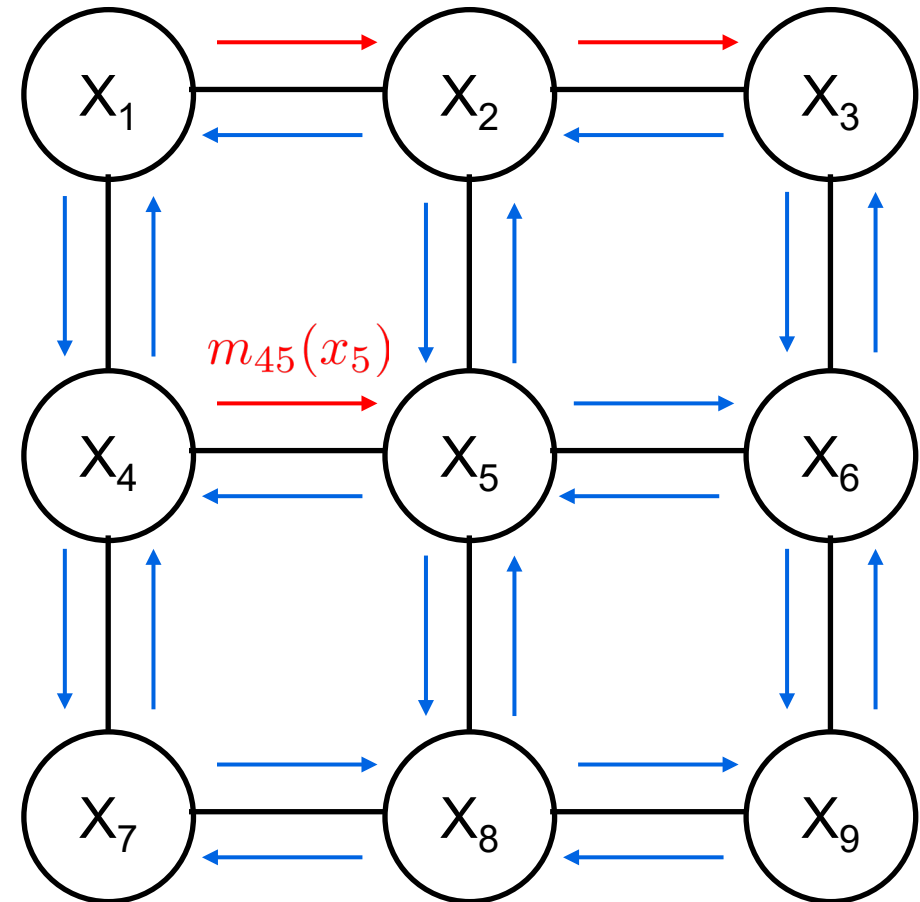
Random: $m_{st}^0(x_t) \sim U([0, 1])$

Asynchronous (Sequential) Updates

Choose an ordering of nodes and update using the latest available messages:

$$m_{st}(x_t) = \sum_{x_s} \psi_{st}(x_s, x_t) \prod_{k \in \Gamma(s) \setminus t} m_{ks}(x_s)$$

- Simplifies updates since only need to keep track of one copy of messages
- Makes parallel processing trickier



Loopy Belief Propagation (sum-product)

Initialize Messages

Constant: $m_{st}^0(x_t) = \text{const.}$

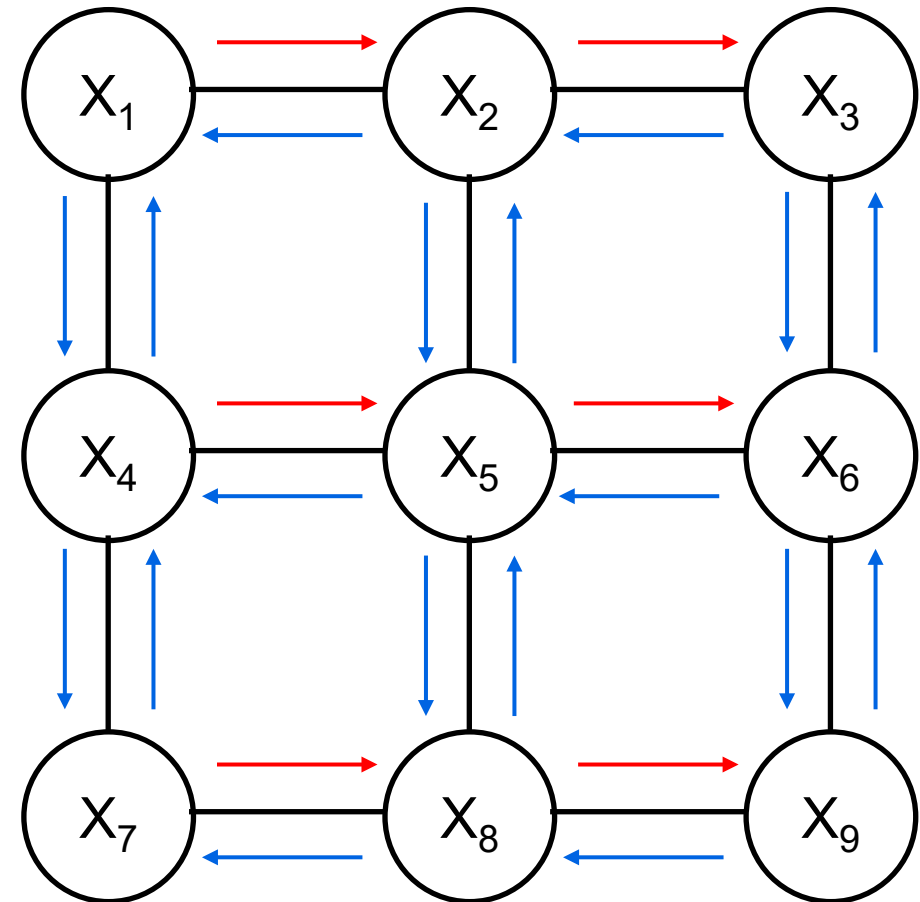
Random: $m_{st}^0(x_t) \sim U([0, 1])$

Asynchronous (Sequential) Updates

Choose an ordering of nodes and update using the latest available messages:

$$m_{st}(x_t) = \sum_{x_s} \psi_{st}(x_s, x_t) \prod_{k \in \Gamma(s) \setminus t} m_{ks}(x_s)$$

- Simplifies updates since only need to keep track of one copy of messages
- Makes parallel processing trickier



Notice that each row can be computed in parallel

Loopy Belief Propagation (sum-product)

Initialize Messages

Constant: $m_{st}^0(x_t) = \text{const.}$

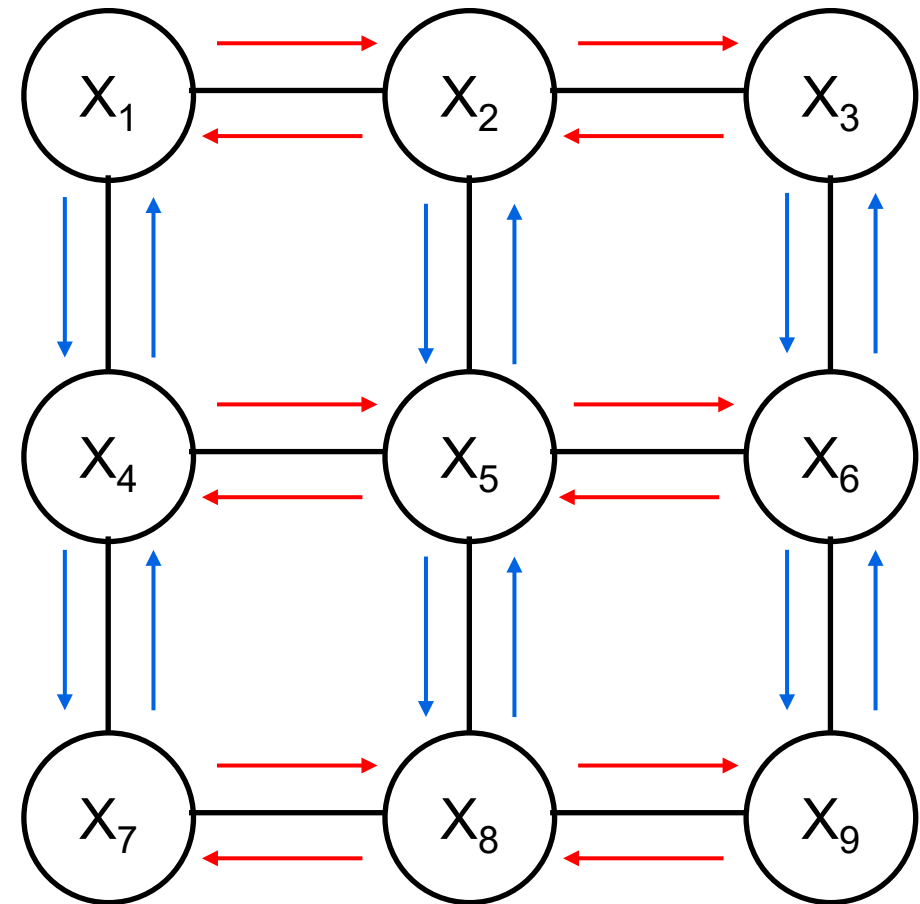
Random: $m_{st}^0(x_t) \sim U([0, 1])$

Asynchronous (Sequential) Updates

Choose an ordering of nodes and update using the latest available messages:

$$m_{st}(x_t) = \sum_{x_s} \psi_{st}(x_s, x_t) \prod_{k \in \Gamma(s) \setminus t} m_{ks}(x_s)$$

- Simplifies updates since only need to keep track of one copy of messages
- Makes parallel processing trickier



**Both directions are independent
just like in forward-backward algorithm**

Loopy Belief Propagation (sum-product)

Initialize Messages

Constant: $m_{st}^0(x_t) = \text{const.}$

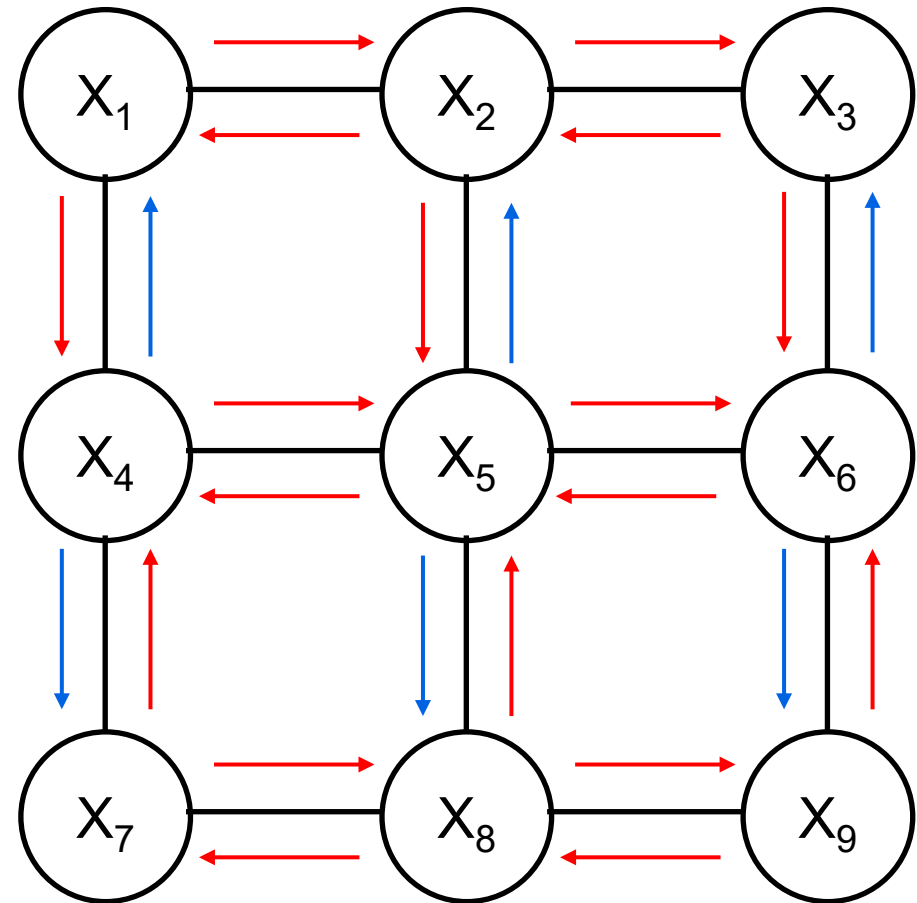
Random: $m_{st}^0(x_t) \sim U([0, 1])$

Asynchronous (Sequential) Updates

Choose an ordering of nodes and update using the latest available messages:

$$m_{st}(x_t) = \sum_{x_s} \psi_{st}(x_s, x_t) \prod_{k \in \Gamma(s) \setminus t} m_{ks}(x_s)$$

- Simplifies updates since only need to keep track of one copy of messages
- Makes parallel processing trickier



Loopy Belief Propagation (sum-product)

Initialize Messages

Constant: $m_{st}^0(x_t) = \text{const.}$

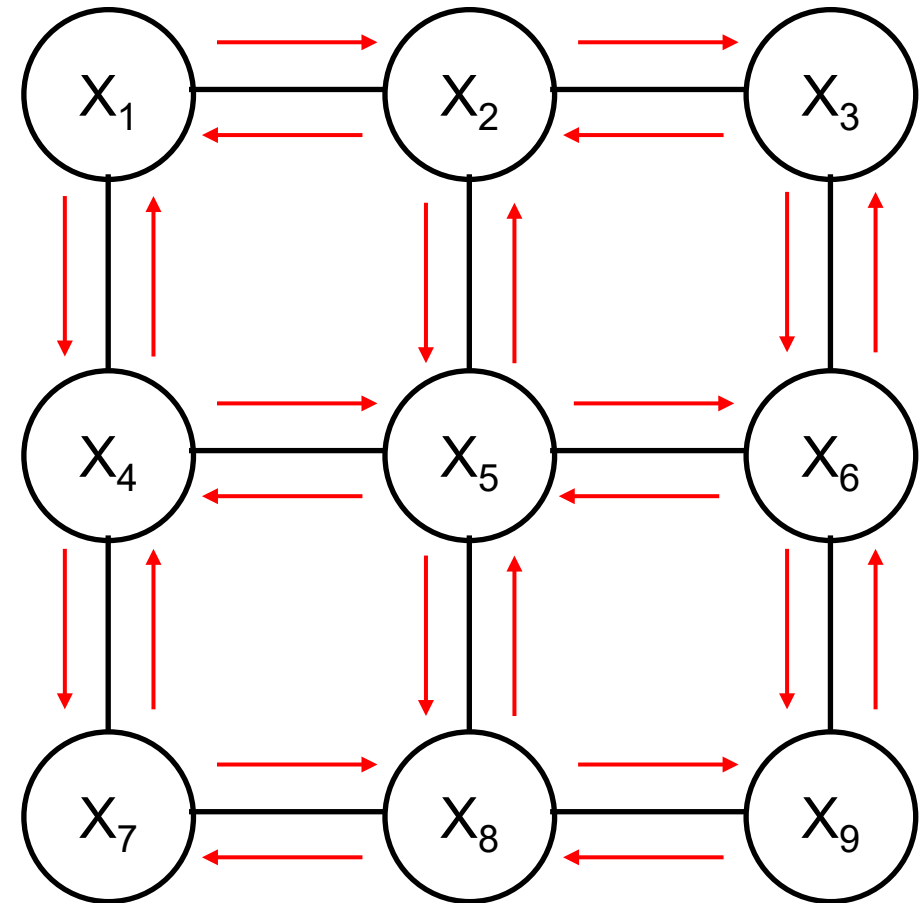
Random: $m_{st}^0(x_t) \sim U([0, 1])$

Asynchronous (Sequential) Updates

Choose an ordering of nodes and update using the latest available messages:

$$m_{st}(x_t) = \sum_{x_s} \psi_{st}(x_s, x_t) \prod_{k \in \Gamma(s) \setminus t} m_{ks}(x_s)$$

- Simplifies updates since only need to keep track of one copy of messages
- Makes parallel processing trickier



Upwards / downwards directions can also be done in parallel (holding rows fixed)

Pseudocode from Murphy's Textbook

Algorithm 22.1: Loopy belief propagation for a pairwise MRF

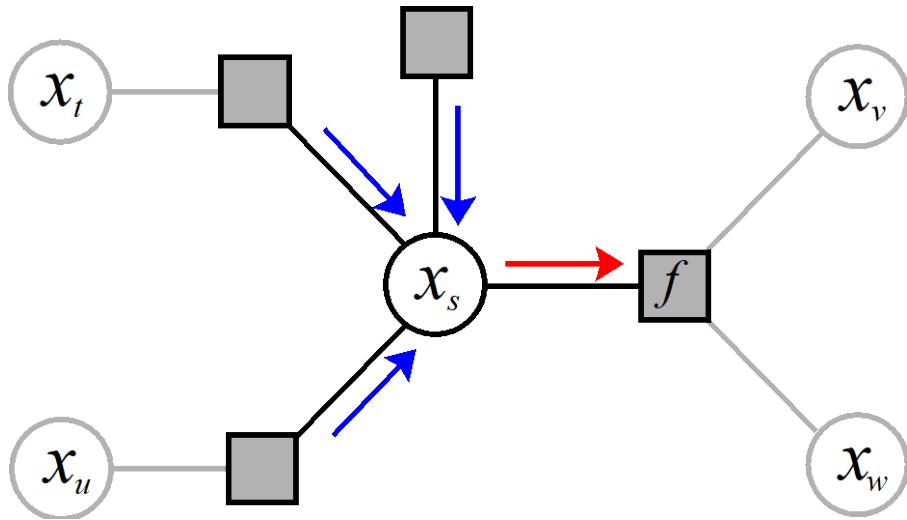
- 1 Input: node potentials $\psi_s(x_s)$, edge potentials $\psi_{st}(x_s, x_t)$;
 - 2 Initialize messages $m_{s \rightarrow t}(x_t) = 1$ for all edges $s - t$;
 - 3 Initialize beliefs $\text{bel}_s(x_s) = 1$ for all nodes s ;
 - 4 **repeat**
 - 5 Send message on each edge

$$m_{s \rightarrow t}(x_t) = \sum_{x_s} \left(\psi_s(x_s) \psi_{st}(x_s, x_t) \prod_{u \in \text{nbr}_s \setminus t} m_{u \rightarrow s}(x_s) \right);$$
 - 6 Update belief of each node $\text{bel}_s(x_s) \propto \psi_s(x_s) \prod_{t \in \text{nbr}_s} m_{t \rightarrow s}(x_s)$;
 - 7 **until** *beliefs don't change significantly*;
 - 8 Return marginal beliefs $\text{bel}_s(x_s)$;
-

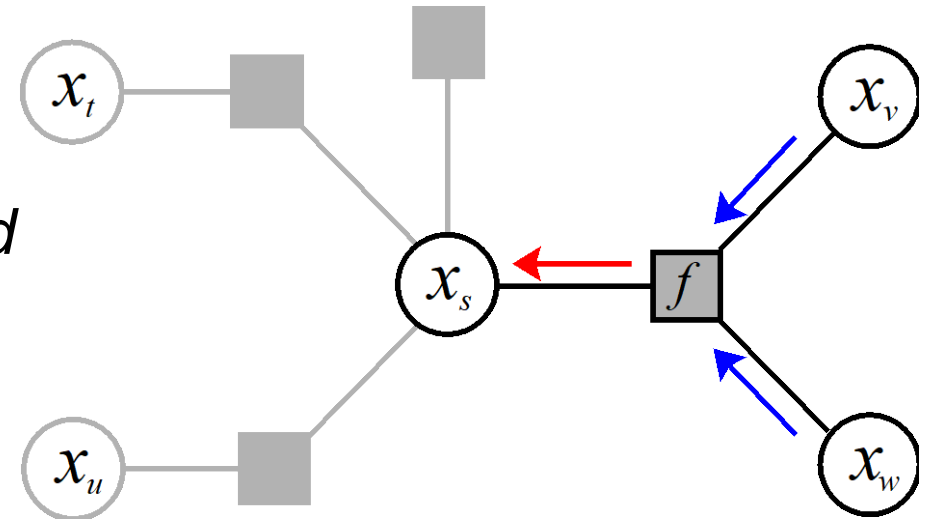
Loopy BP on Factor Graphs

[Source: Erik Sudderth]

Set of *neighbors* of node s : $\Gamma(s) = \{f \in \mathcal{F} \mid s \in f\}$



Loopy BP:
Message updates can be iteratively computed on graphs with cycles.
But marginals not guaranteed correct!



$$\bar{m}_{sf}(x_s) = \prod_{g \in \Gamma(s) \setminus f} m_{gs}(x_s) \propto \frac{p_s(x_s)}{m_{fs}(x_s)}$$

$$m_{fs}(x_s) = \sum_{x_{f \setminus s}} \psi_f(x_f) \prod_{t \in f \setminus s} \bar{m}_{tf}(x_t)$$

Marginal Distribution of Each Variable:

$$p_s(x_s) \propto \prod_{f \in \Gamma(s)} m_{fs}(x_s)$$

Marginal Distribution of Each Factor:
Clique of variables linked by factor.

$$p_f(x_f) \propto \psi_f(x_f) \prod_{s \in f} \bar{m}_{sf}(x_s)$$

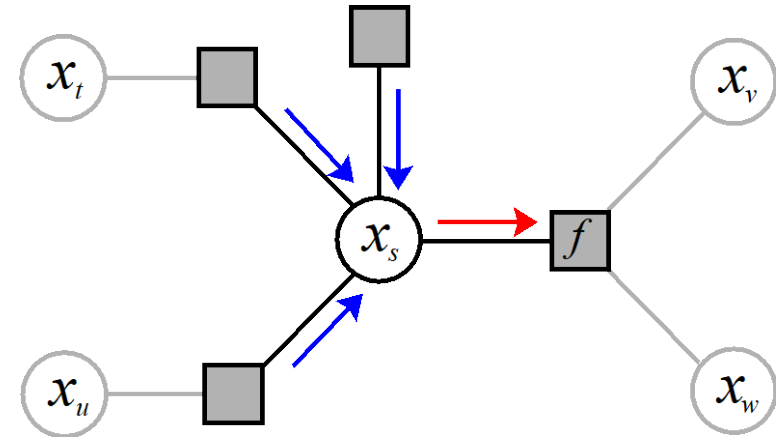
Numerical Stability

Product over messages is numerically unstable...

$$\bar{m}_{sf}(x_s) = \prod_{g \in \Gamma(s) \setminus f} m_{gs}(x_s) \propto \frac{p_s(x_s)}{m_{fs}(x_s)}$$

Product of small values
tends to underflow

Vector of small values



1. Do the product as a summation in log-domain:

$$\log \bar{m}_{sf}(x_s) = \sum_g \log m_{gs}(x_s)$$

2. Subtract the maximum value (this makes new maximum zero):

$$\alpha = \max_{x_s} \log \bar{m}_{sf}(x_s) \quad \log \bar{m}_{sf}(x_s) = \log \bar{m}_{sf}(x_s) - \alpha$$

3. Exponentiate (optionally normalize):

$$\bar{m}_{sf}(x_s) = \exp(\log \bar{m}_{sf}(x_s)) \div \left(\sum_{x_s} \exp(\log \bar{m}_{sf}(x_s)) \right)$$

Loopy BP Convergence

Loopy BP works well empirically, but there are no guarantees:

- Not guaranteed to converge in general graphs
- **BP marginal *beliefs* are approximations**
- Empirically, when LBP converges it does so quickly and with good approximations

Convergence based on change in messages / marginal approximations:

$$\rho(m^{\text{old}}, m^{\text{current}}) < \epsilon \quad \text{or} \quad \rho(\text{bel}^{\text{old}}, \text{bel}^{\text{current}}) < \epsilon$$

Typical convergence measures are:

Max change: $\rho(m^{\text{old}}, m^{\text{current}}) = \max \{ |m^{\text{old}} - m^{\text{current}}| \}$

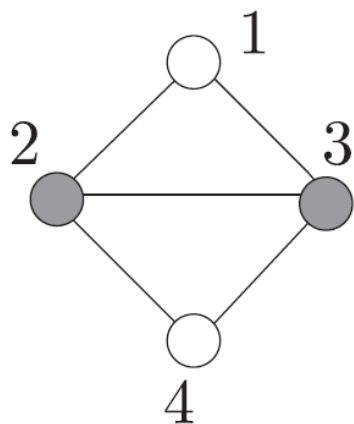
Total change: $\rho(m^{\text{old}}, m^{\text{current}}) = \sum |m^{\text{old}} - m^{\text{current}}|$

Loopy BP Convergence

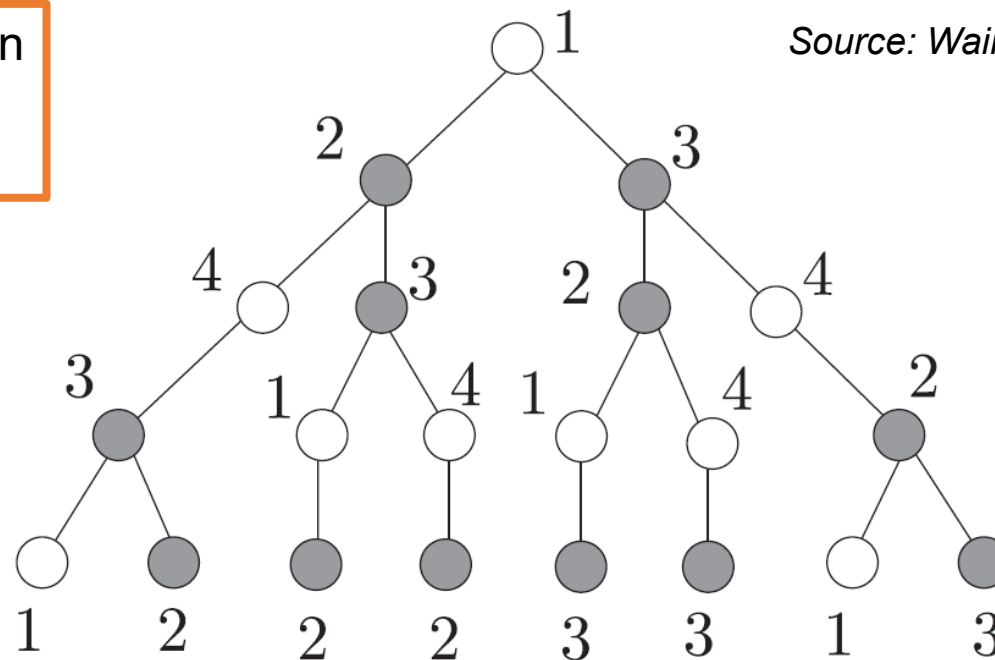
Computation tree visualizes sequence of messages as BP proceeds...

Nodes 2 & 3 are *over represented* in computation tree since they have more edges, thus more impact on belief of node 1

Source: Wainwright & Jordan, 2008



Loopy MRF



Computation Tree
(4 Rounds of BP)

Key Insight T iterations of BP equivalent to exact calculation in computation tree of height $T+1$. If edge strength sufficiently weak, then leaves will have minimal impact on root and BP converges.

Loopy BP Convergence

What can we do to improve convergence in a given model?

Message damping takes a *partial update* of messages each iteration,

$$m^{\text{new}} = (1 - \alpha)m^{\text{old}} + \alpha m^{\text{tmp}}$$

for damping factor $\alpha \in (0, 1]$, e.g. $\alpha = 1$ is standard update

Message scheduling

- Asynchronous updates tend to converge faster than synchronous
- Well-known Gauss-Seidel method does this in round-robin fashion (Bertsekas 97)
- Message update ordering also impacts convergence (e.g. disproportionate impact of nodes 2 & 3 in previous example)

Example: Loopy BP

Convergence depends largely on the existence of many small cycles

Example Ising model of ferromagnetism via atomic *spins*:

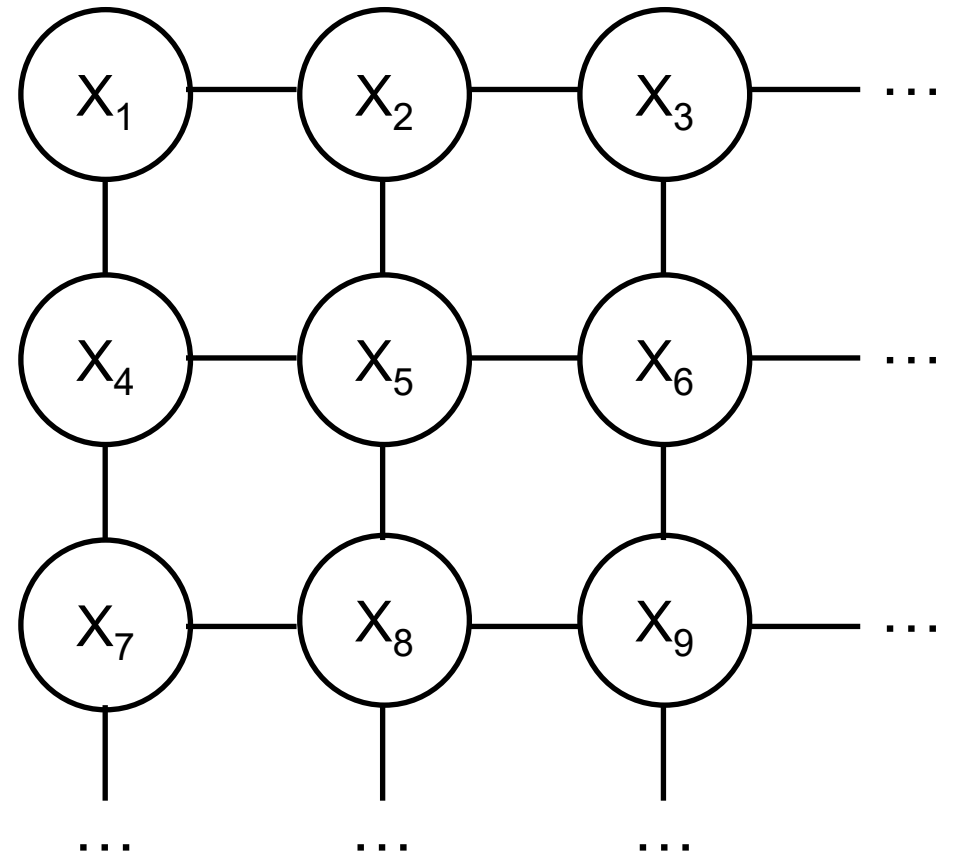
Binary *spin* variables: $x_i \in \{0, 1\}$

Interaction strength:

$$\psi_{ij} = \begin{pmatrix} \exp(J_{ij}) & \exp(-J_{ij}) \\ \exp(-J_{ij}) & \exp(J_{ij}) \end{pmatrix}$$

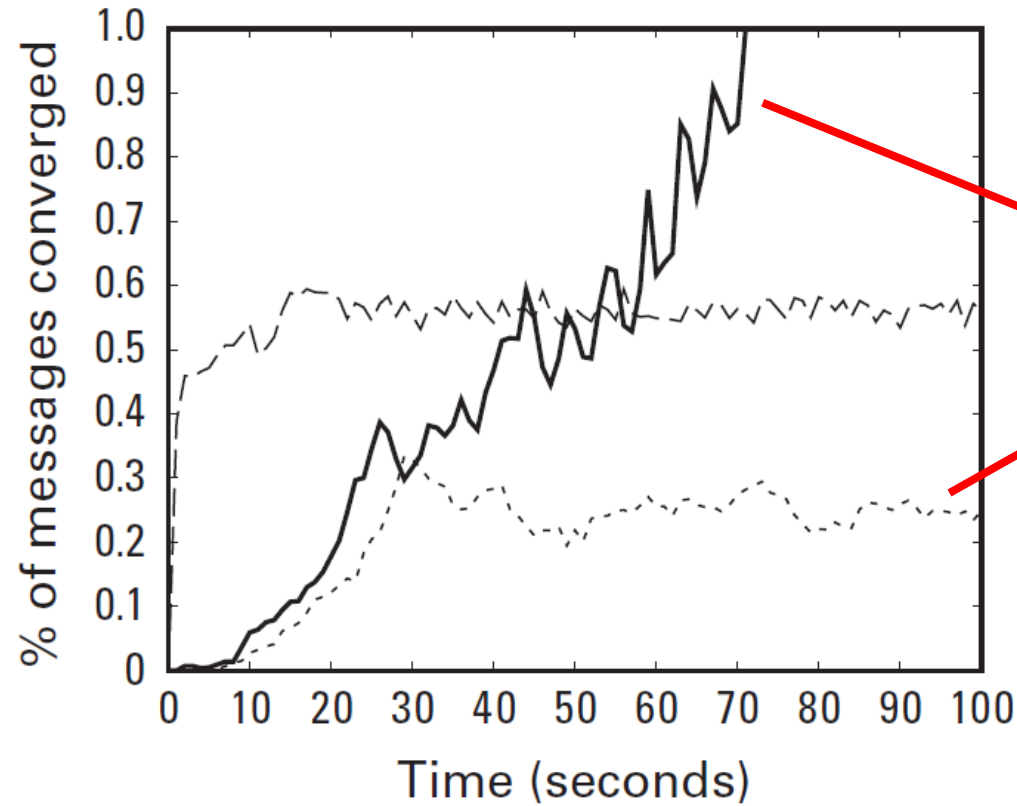
Field strength:

$$\psi_i = (\exp(h_i); \exp(-h_i))$$



Example: Loopy BP

11x11 Ising model with random parameters

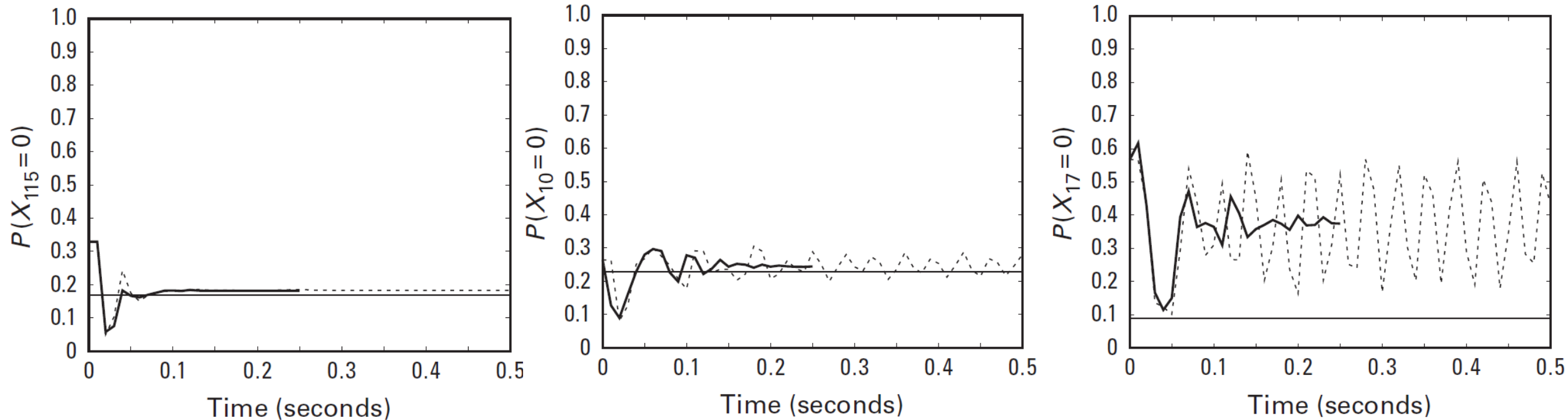


Using message damping

---- Synchronous — Asynchronous -- No Damping

Example: Loopy BP

Convergence of beliefs in 3 selected nodes

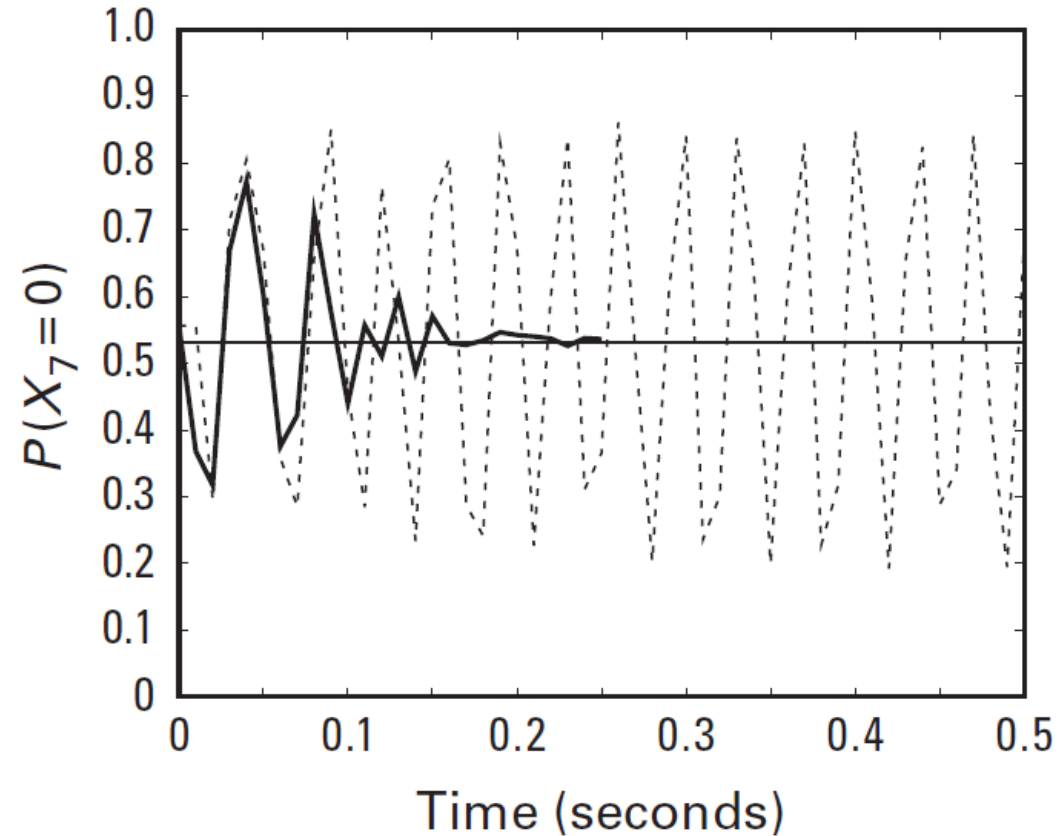


Source: D. Koller

..... Synchronous — Asynchronous - - No Damping — True

Example: Loopy BP

Oscillation in limit cycles is a typical failure mode of BP convergence



Source: D. Koller

..... Synchronous — Asynchronous - - No Damping — True

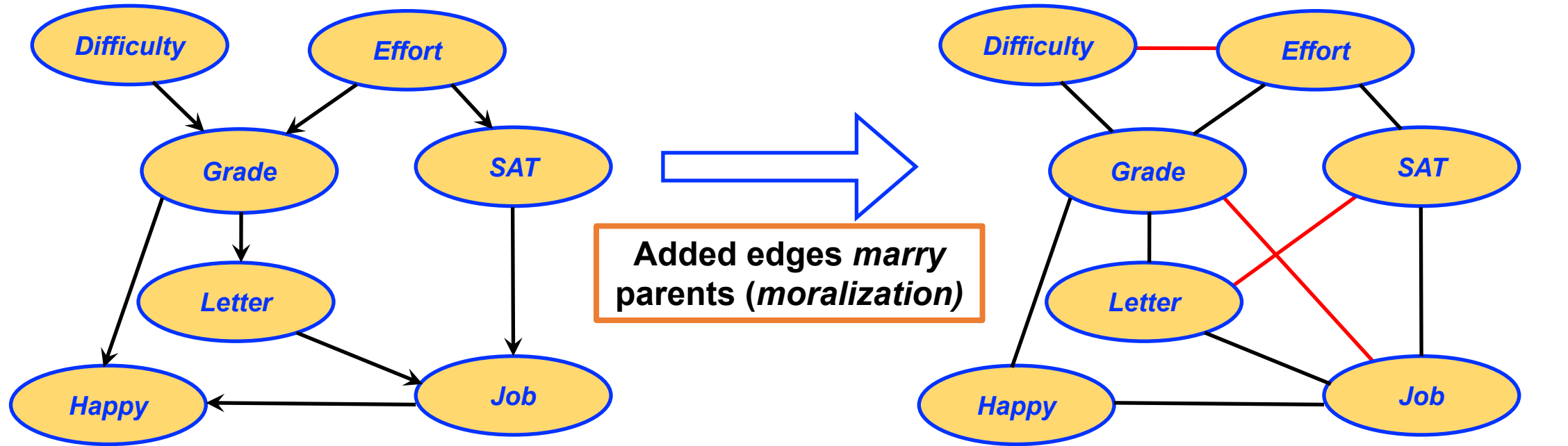
Loopy BP Summary

- BP updates only depend on tree-structured Markov blanket
- **Approximate** BP inference in loopy graphs by iterating standard message updates until convergence (fixed point)
- No guarantees, but works well empirically in many instances
- Some techniques to improve convergence
 - Message damping
 - Asynchronous message update schedules

Outline

- Sum-Product Belief Propagation
- Loopy Belief Propagation
- **Variable Elimination**
- Junction Tree Algorithm
- Max-Product Belief Propagation

Bayes Net \rightarrow MRF



$$P(\cdot) = P(D)P(E)P(G | D, E)P(S | E)P(L | G)P(J | S, L)P(H | J, G)$$

Drop local normalization

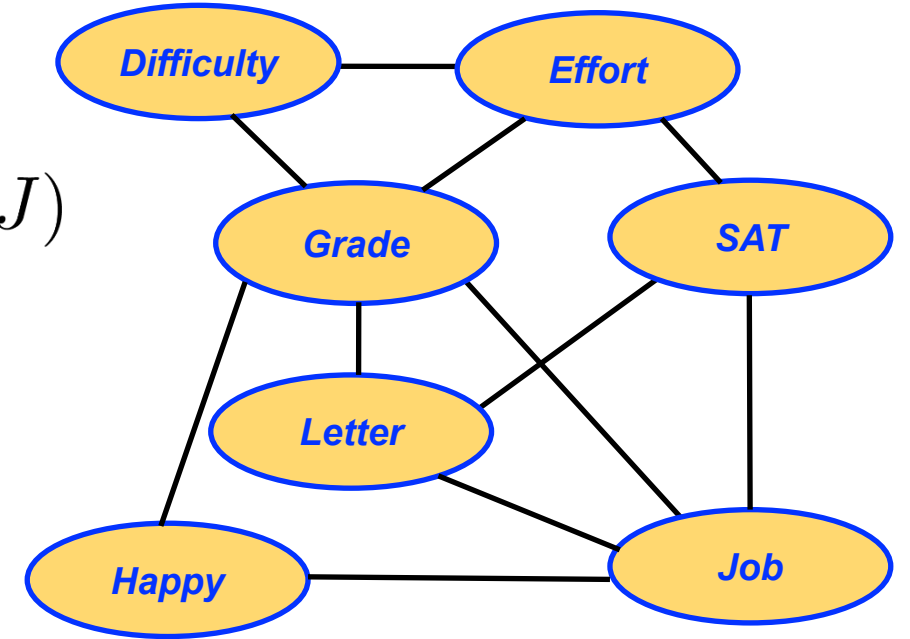
$$P(\cdot) \propto \psi(D)\psi(E)\psi(G, D, E)\psi(S, E)\psi(L, G)\psi(J, S, L)\psi(H, J, G)$$

Variable Elimination Algorithm

What is the probability of getting a job?

$$P(J) = \sum_d \sum_e \sum_h \sum_g \sum_s \sum_l P(d, e, h, g, s, l, J)$$

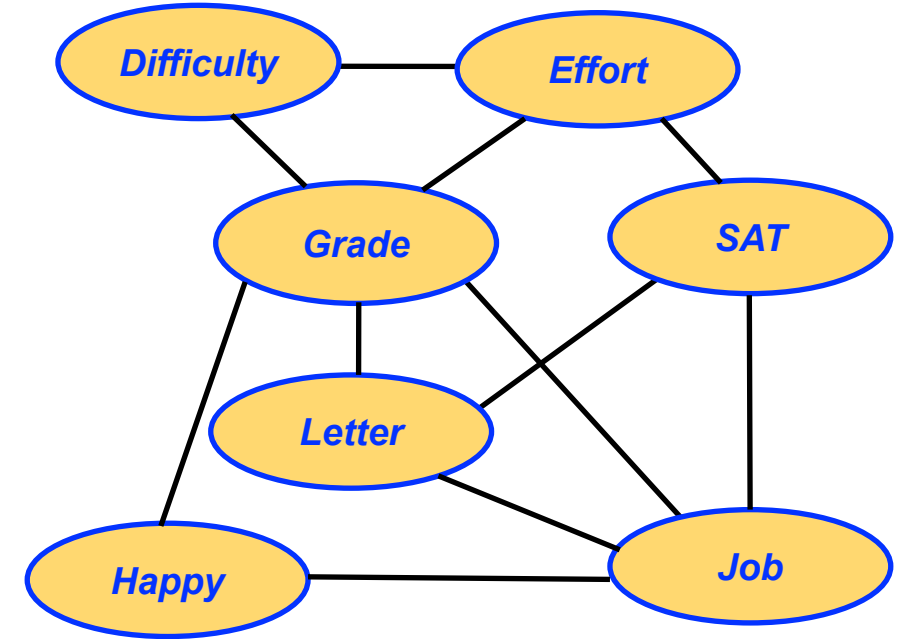
Iteratively eliminate nuisance variables...



$$P(D, E, H, G, S, L, J) \propto \psi(D)\psi(E)\psi(G, D, E) \\ \psi(S, E)\psi(L, G)\psi(J, S, L)\psi(H, J, G)$$

Variable Elimination Algorithm

Choose elimination ordering: D, E, H, G, S, L



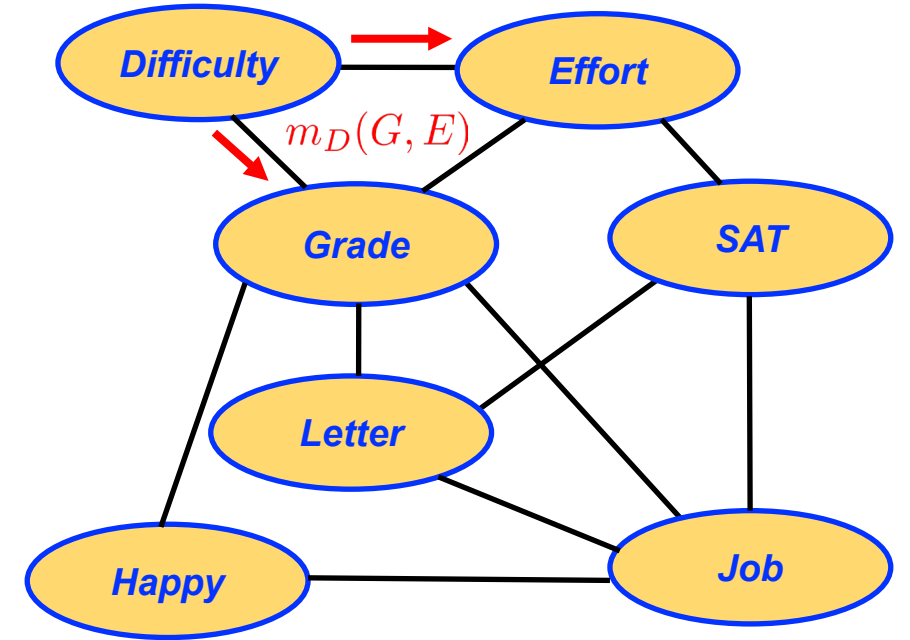
$$P(D, E, H, G, S, L, J) \propto \psi(D)\psi(E)\psi(G, D, E) \\ \psi(S, E)\psi(L, G)\psi(J, S, L)\psi(H, J, G)$$

Variable Elimination Algorithm

Choose elimination ordering: D, E, H, G, S, L

Eliminate **D** (compute message $D \rightarrow (G, E)$):

$$m_D(G, E) = \sum_d \psi(d) \psi(d, G, E)$$



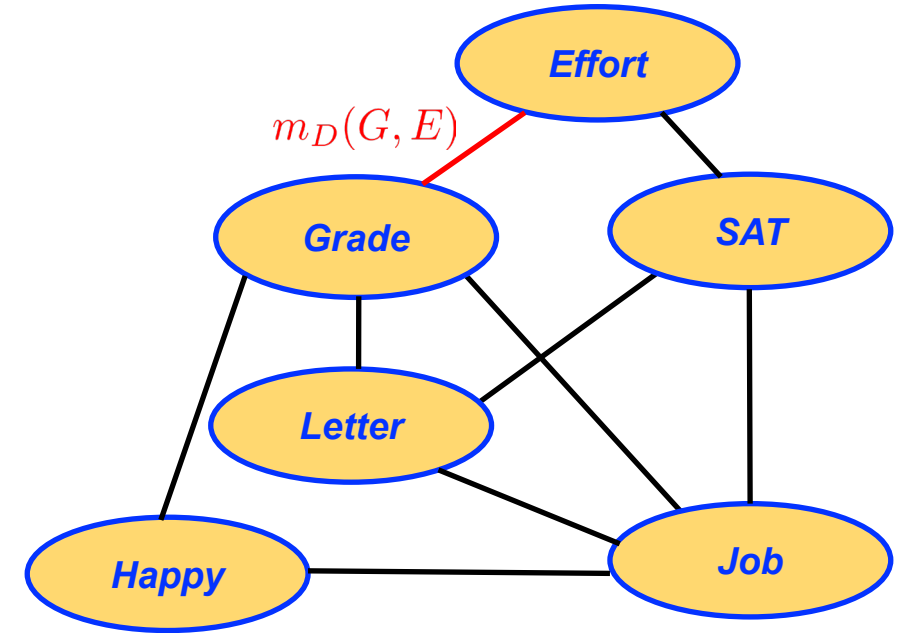
$$P(D, E, H, G, S, L, J) \propto \psi(D) \psi(E) \psi(G, D, E) \\ \psi(S, E) \psi(L, G) \psi(J, S, L) \psi(H, J, G)$$

Variable Elimination Algorithm

Choose elimination ordering: D, E, H, G, S, L

Eliminate **D** (compute message $D \rightarrow (G, E)$):

$$m_D(G, E) = \sum_d \psi(d) \psi(d, G, E)$$



$$P(E, H, G, S, L, J) \propto m_D(G, E) \psi(E) \\ \psi(S, E) \psi(L, G) \psi(J, S, L) \psi(H, J, G)$$

Variable Elimination Algorithm

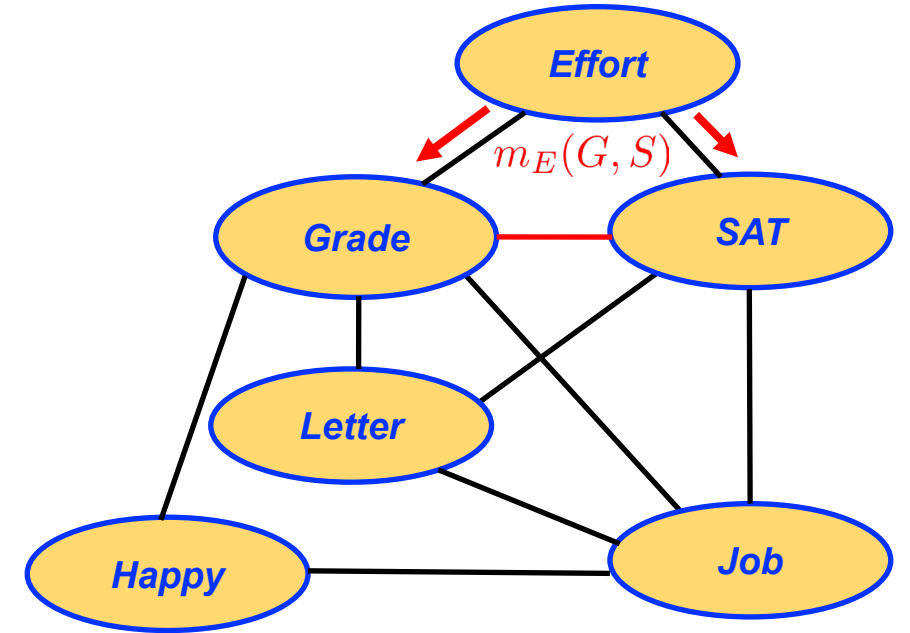
Choose elimination ordering: D, E, H, G, S, L

Eliminate **D** (compute message $D \rightarrow (G, E)$):

$$m_D(G, E) = \sum_d \psi(d) \psi(d, G, E)$$

Eliminate **E** (compute message $E \rightarrow (G, S)$):

$$m_E(G, S) = \sum_e m_D(G, e) \psi(e) \psi(S, e)$$



$$P(\mathbf{E}, H, G, S, L, J) \propto m_D(G, \mathbf{E}) \psi(\mathbf{E}) \\ \psi(S, \mathbf{E}) \psi(L, G) \psi(J, S, L) \psi(H, J, G)$$

Variable Elimination Algorithm

Choose elimination ordering: D, E, H, G, S, L

Eliminate **D** (compute message $D \rightarrow (G, E)$):

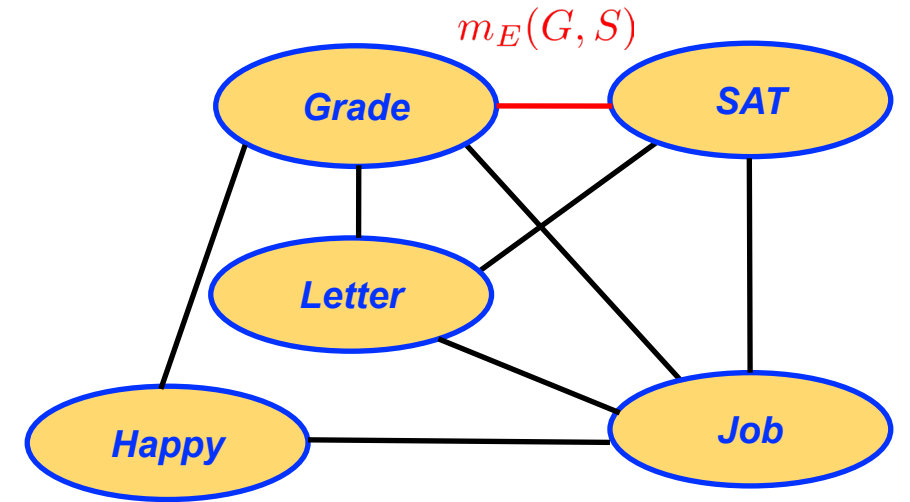
$$m_D(G, E) = \sum_d \psi(d) \psi(d, G, E)$$

Eliminate **E** (compute message $E \rightarrow (G, S)$):

$$m_E(G, S) = \sum_e m_D(G, e) \psi(e) \psi(S, e)$$

Eliminate **H** (compute message $H \rightarrow (G, J)$):

$$m_H(G, J) = \sum_h \psi(h, J, G)$$



$$P(H, G, S, L, J) \propto m_E(G, S) \psi(L, G) \psi(J, S, L) \psi(H, J, G)$$

Variable Elimination Algorithm

Choose elimination ordering: D, E, H, G, S, L

Eliminate **D** (compute message $D \rightarrow (G, E)$):

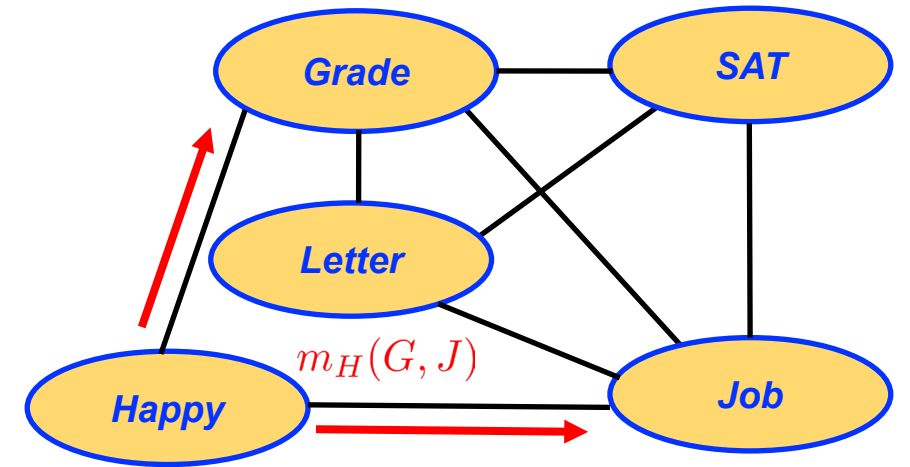
$$m_D(G, E) = \sum_d \psi(d) \psi(d, G, E)$$

Eliminate **E** (compute message $E \rightarrow (G, S)$):

$$m_E(G, S) = \sum_e m_D(G, e) \psi(e) \psi(S, e)$$

Eliminate **H** (compute message $H \rightarrow (G, J)$):

$$m_H(G, J) = \sum_h \psi(h, J, G)$$



$$P(\mathbf{H}, G, S, L, J) \propto m_E(G, S) \psi(L, G) \psi(J, S, L) \psi(\mathbf{H}, J, G)$$

Variable Elimination Algorithm

Choose elimination ordering: D, E, H, G, S, L

Eliminate **D** (compute message $D \rightarrow (G, E)$):

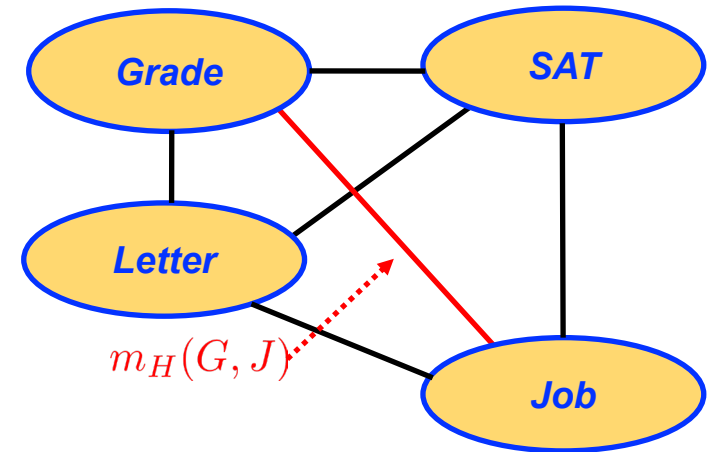
$$m_D(G, E) = \sum_d \psi(d) \psi(d, G, E)$$

Eliminate **E** (compute message $E \rightarrow (G, S)$):

$$m_E(G, S) = \sum_e m_D(G, e) \psi(e) \psi(S, e)$$

Eliminate **H** (compute message $H \rightarrow (G, J)$):

$$m_H(G, J) = \sum_h \psi(h, J, G)$$



$$P(G, S, L, J) \propto m_H(G, J) m_E(G, S) \psi(L, G) \psi(J, S, L)$$

Variable Elimination Algorithm

Choose elimination ordering: D, E, H, G, S, L

Eliminate **D** (compute message $D \rightarrow (G, E)$):

$$m_D(G, E) = \sum_d \psi(d) \psi(d, G, E)$$

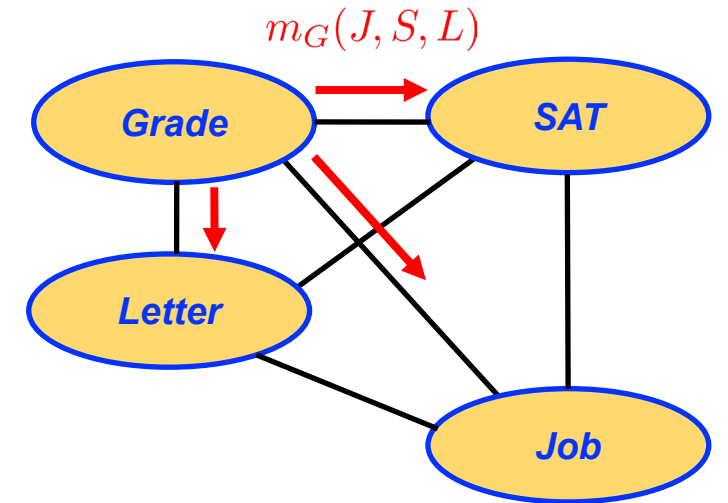
Eliminate **E** (compute message $E \rightarrow (G, S)$):

$$m_E(G, S) = \sum_e m_D(G, e) \psi(e) \psi(S, e)$$

Eliminate **H** (compute message $H \rightarrow (G, J)$):

$$m_H(G, J) = \sum_h \psi(h, J, G)$$

Eliminate **G** : $m_G(J, S, L) = \sum_g m_H(g, J) m_E(g, S) \psi(L, g)$



$$P(G, S, L, J) \propto m_H(G, J) m_E(G, S) \psi(L, G) \psi(J, S, L)$$

Variable Elimination Algorithm

Choose elimination ordering: D, E, H, G, S, L

Eliminate **D** (compute message $D \rightarrow (G, E)$):

$$m_D(G, E) = \sum_d \psi(d) \psi(d, G, E)$$

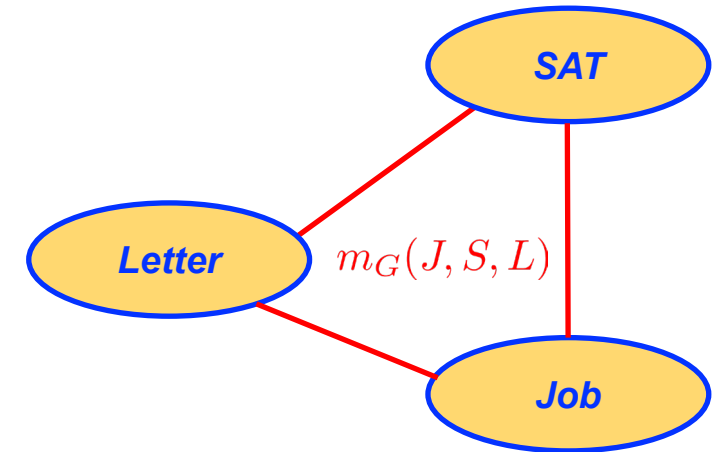
Eliminate **E** (compute message $E \rightarrow (G, S)$):

$$m_E(G, S) = \sum_e m_D(G, e) \psi(e) \psi(S, e)$$

Eliminate **H** (compute message $H \rightarrow (G, J)$):

$$m_H(G, J) = \sum_h \psi(h, J, G)$$

Eliminate **G** : $m_G(J, S, L) = \sum_g m_H(g, J) m_E(g, S) \psi(L, g)$



$$P(S, L, J) \propto m_G(J, S, L) \psi(J, S, L)$$

Variable Elimination Algorithm

Choose elimination ordering: D, E, H, G, S, L

Eliminate **D** (compute message $D \rightarrow (G, E)$):

$$m_D(G, E) = \sum_d \psi(d) \psi(d, G, E)$$

Eliminate **E** (compute message $E \rightarrow (G, S)$):

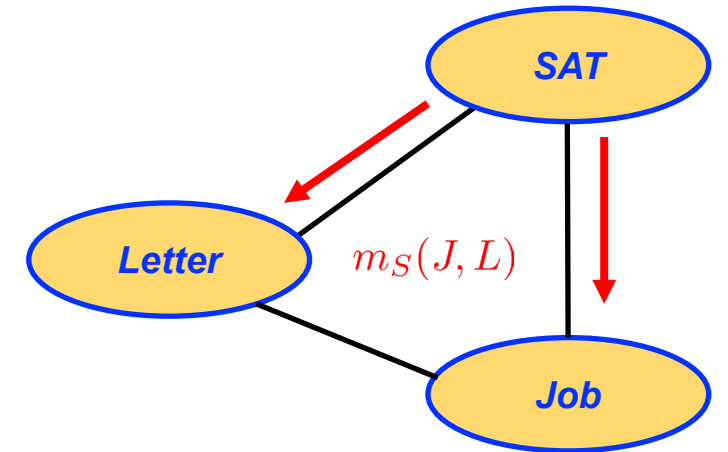
$$m_E(G, S) = \sum_e m_D(G, e) \psi(e) \psi(S, e)$$

Eliminate **H** (compute message $H \rightarrow (G, J)$):

$$m_H(G, J) = \sum_h \psi(h, J, G)$$

Eliminate **G** : $m_G(J, S, L) = \sum_g m_H(g, J) m_E(g, S) \psi(L, g)$

Eliminate **S** : $m_S(J, L) = \sum_s m_G(J, s, L) \psi(J, s, L)$



$$P(S, L, J) \propto m_G(J, S, L) \psi(J, S, L)$$

Variable Elimination Algorithm

Choose elimination ordering: D, E, H, G, S, L

Eliminate **D** (compute message $D \rightarrow (G, E)$):

$$m_D(G, E) = \sum_d \psi(d) \psi(d, G, E)$$

Eliminate **E** (compute message $E \rightarrow (G, S)$):

$$m_E(G, S) = \sum_e m_D(G, e) \psi(e) \psi(S, e)$$

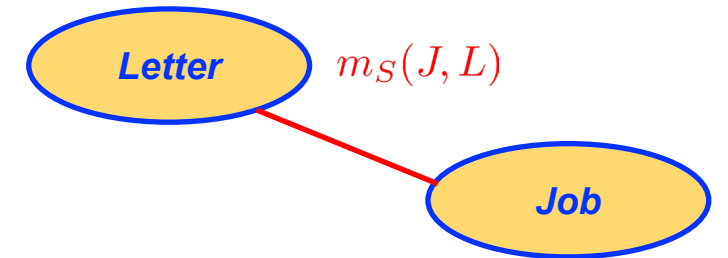
Eliminate **H** (compute message $H \rightarrow (G, J)$):

$$m_H(G, J) = \sum_h \psi(h, J, G)$$

Eliminate **G** : $m_G(J, S, L) = \sum_g m_H(g, J) m_E(g, S) \psi(L, g)$

Eliminate **S** : $m_S(J, L) = \sum_s m_G(J, s, L) \psi(J, s, L)$

Eliminate **L** : $m_L(J) = \sum_l m_S(J, l)$



$$P(L, J) \propto m_S(J, L)$$

Variable Elimination Algorithm

Choose elimination ordering: D, E, H, G, S, L

Eliminate **D** (compute message $D \rightarrow (G, E)$):

$$m_D(G, E) = \sum_d \psi(d) \psi(d, G, E)$$

Eliminate **E** (compute message $E \rightarrow (G, S)$):

$$m_E(G, S) = \sum_e m_D(G, e) \psi(e) \psi(S, e)$$

Eliminate **H** (compute message $H \rightarrow (G, J)$):

$$m_H(G, J) = \sum_h \psi(h, J, G)$$

Eliminate **G** : $m_G(J, S, L) = \sum_g m_H(g, J) m_E(g, S) \psi(L, g)$

Eliminate **S** : $m_S(J, L) = \sum_s m_G(J, s, L) \psi(J, s, L)$

Eliminate **L** : $m_L(J) = \sum_l m_S(J, l) \propto P(J)$



$$P(J) \propto m_l(J)$$

Accounting for Evidence

What if we observe a node (e.g. Letter=l)?

$$P(J \mid L = l) = \frac{P(J, L = l)}{P(L = l)}$$

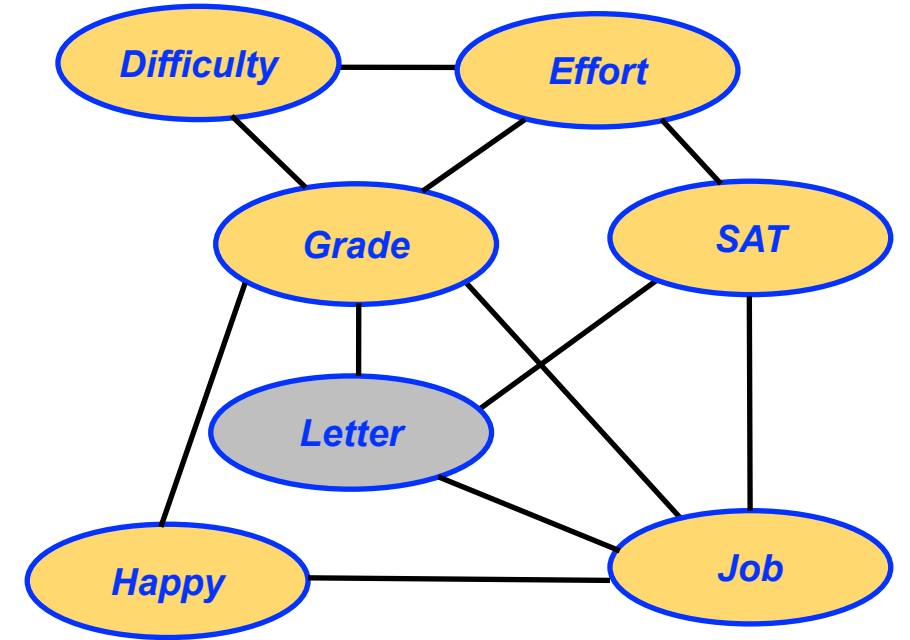
Step 1: Clamp $L = l$ in any factor with L:

$$P(D, E, H, G, S, L = l, J) \propto \psi(D)\psi(E)\psi(G, D, E) \\ \psi(S, E)\psi(L = l, G)\psi(J, S, L = l)\psi(H, J, G)$$

Just treat these as new factors, since we don't care about normalizer:

$$\psi'(G) = \psi(L = l, G) \quad \text{and} \quad \psi'(J, S) = \psi(J, S, L = l)$$

Step 2: Remove L from elimination ordering



Computational Complexity

Main Points:

- Worst-case complexity of variable elimination is **exponential** in the number of latent variables
- Complexity is dependent on chosen elimination order

Computational Complexity

Consider eliminating **E** in the example...

$$m_E(G, S) = \sum_e m_D(G, e)\psi(e)\psi(S, e)$$

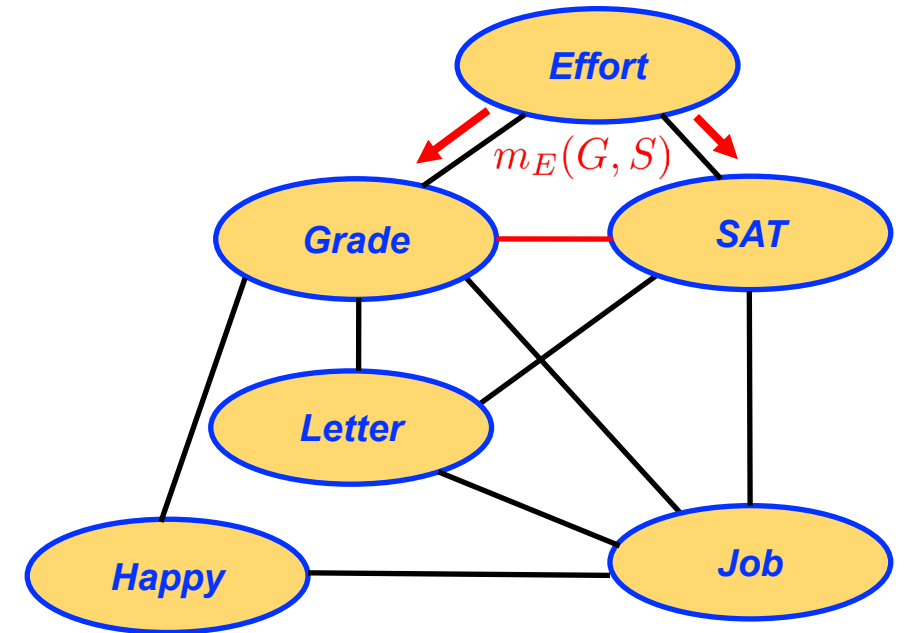
Multiplication creates intermediate factor:

$$\phi(S, G, E) = m_D(G, E)\psi(E)\psi(S, E)$$

Assuming all variables are K -valued, new factor $\phi(S, G, E)$ has K^3 entries requiring

$$\mathcal{O}(K^3)$$

Complexity determined by size of the largest intermediate factor



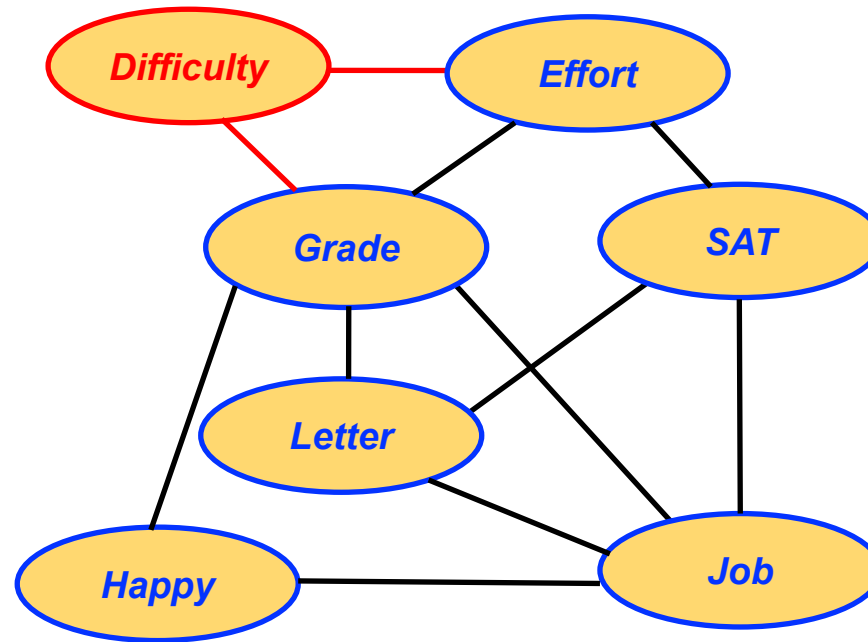
$$P(E, H, G, S, L, J) \propto m_D(G, E)\psi(E)\psi(S, E)\psi(L, G)\psi(J, S, L)\psi(H, J, G)$$

Computational Complexity

Elimination order *D*, *E*, *H*, *G*, *S*, *L*

**Worst-case
Complexity:**

$$\mathcal{O}(K^3)$$



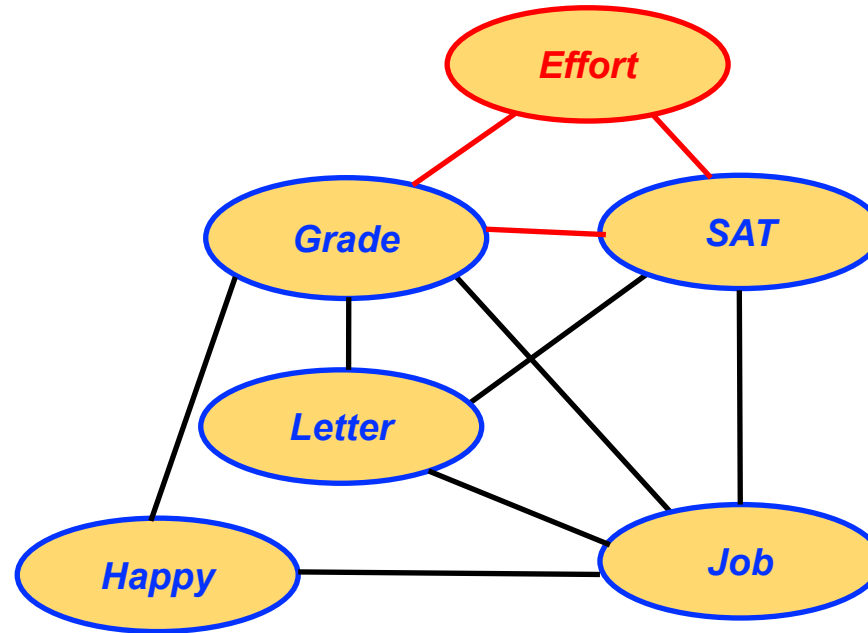
$$\phi(D, E, G) = \mathcal{O}(K^3)$$

Computational Complexity

Elimination order D, E, H, G, S, L

**Worst-case
Complexity:**

$$\mathcal{O}(K^3)$$



$$\phi(E, G, S) = \mathcal{O}(K^3)$$

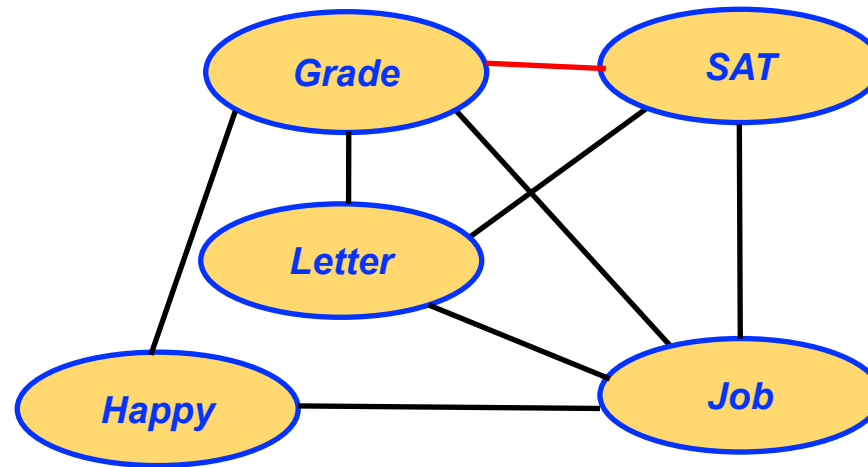
Computational Complexity

Elimination order D, E, H, G, S, L

**Worst-case
Complexity:**

$$\mathcal{O}(K^3)$$

Fill-in Edge



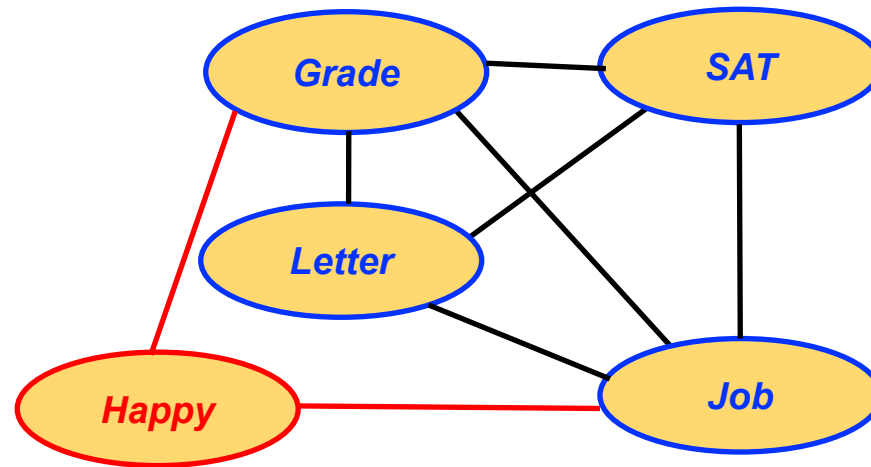
$$\phi(E, G, S) = \mathcal{O}(K^3)$$

Computational Complexity

Elimination order D, E, H, G, S, L

**Worst-case
Complexity:**

$$\mathcal{O}(K^3)$$



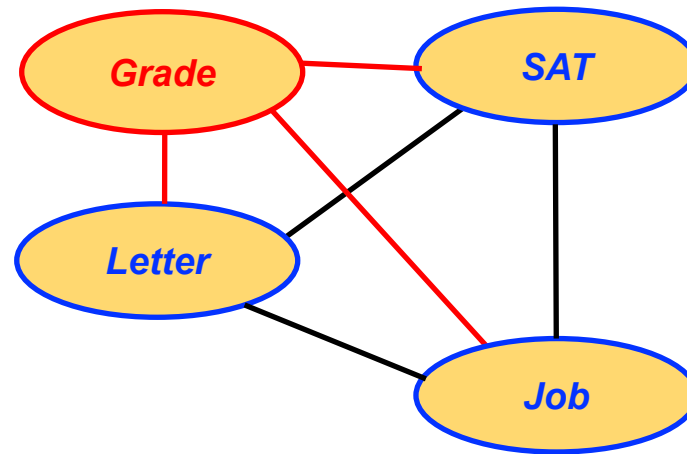
$$\phi(H, G, J) = \mathcal{O}(K^3)$$

Computational Complexity

Elimination order D, E, H, G, S, L

**Worst-case
Complexity:**

$$\mathcal{O}(K^4)$$



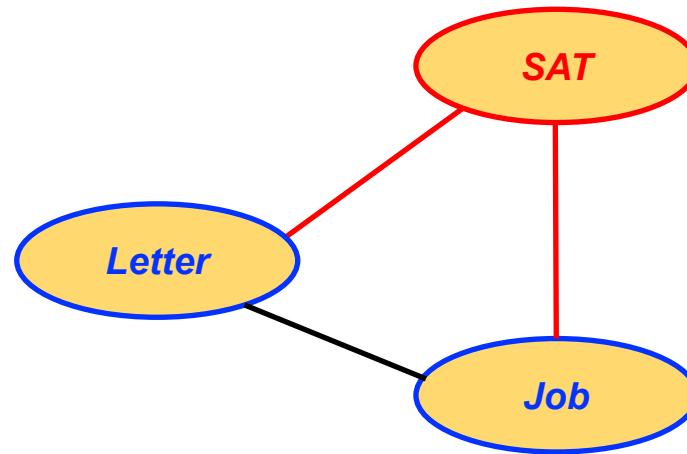
$$\phi(G, S, L, J) = \mathcal{O}(K^4)$$

Computational Complexity

Elimination order D, E, H, G, S, L

**Worst-case
Complexity:**

$$\mathcal{O}(K^4)$$



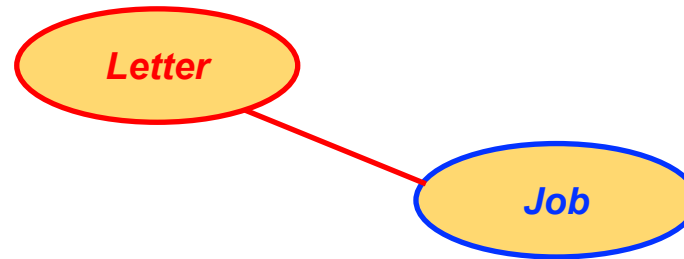
$$\phi(S, L, J) = \mathcal{O}(K^3)$$

Computational Complexity

Elimination order D, E, H, G, S, L

**Worst-case
Complexity:**

$$\mathcal{O}(K^4)$$



$$\phi(L, J) = \mathcal{O}(K^2)$$

Computational Complexity

Elimination order D, E, H, G, S, L

***Worst-case
Complexity:***

$$\mathcal{O}(K^4)$$

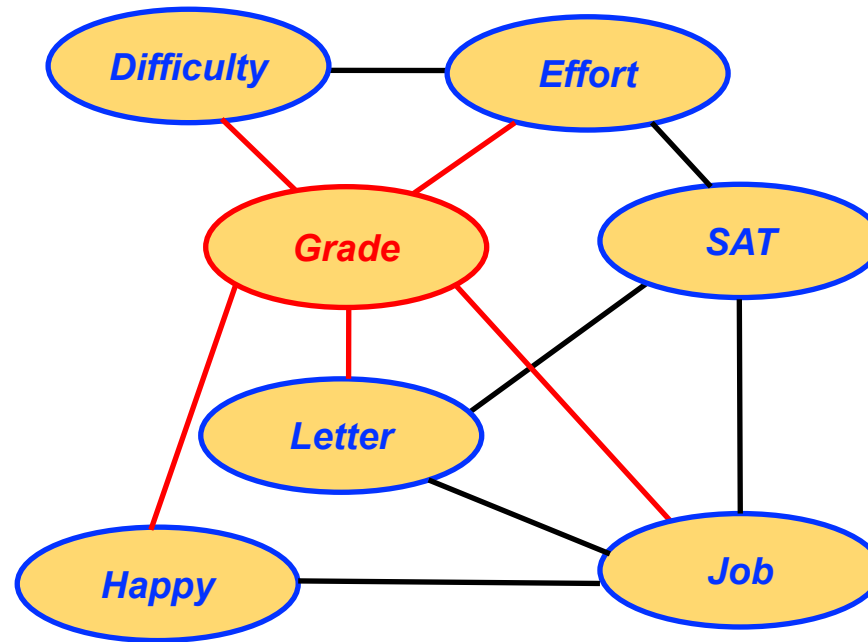
*What if we choose a
different elimination order?*

Job

$$\phi(L, J) = \mathcal{O}(K^2)$$

Computational Complexity

*Eliminate **G** first...*



Complexity depends on elimination order...

Worst-case Complexity:

$$\mathcal{O}(K^6)$$

For N variables worst case is:

$$\mathcal{O}(K^N)$$

$$\phi(G, D, E, L, H, J) = \mathcal{O}(K^6)$$

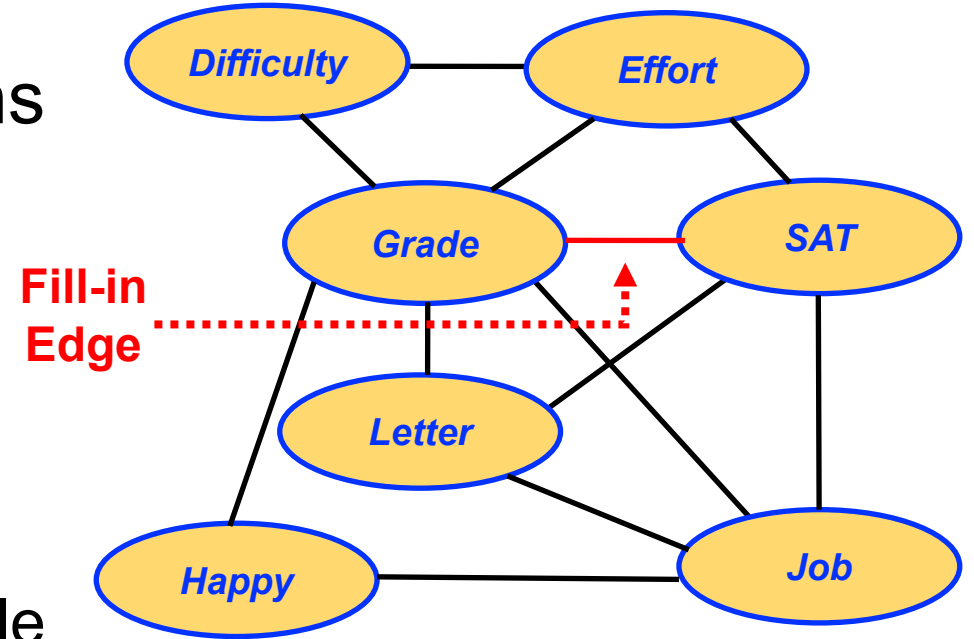
Optimal Ordering

The *induced graph* is the union of all graphs generated running variable elimination:

e.g. ordering D, E, H, G, S, L

Theorem (Informally) Given some elimination ordering:

1. Scope of every factor generated during variable elimination **is a clique in the induced graph**
2. Every **maximal clique** in the induced graph is a scope of some intermediate factor (of var. elim.)



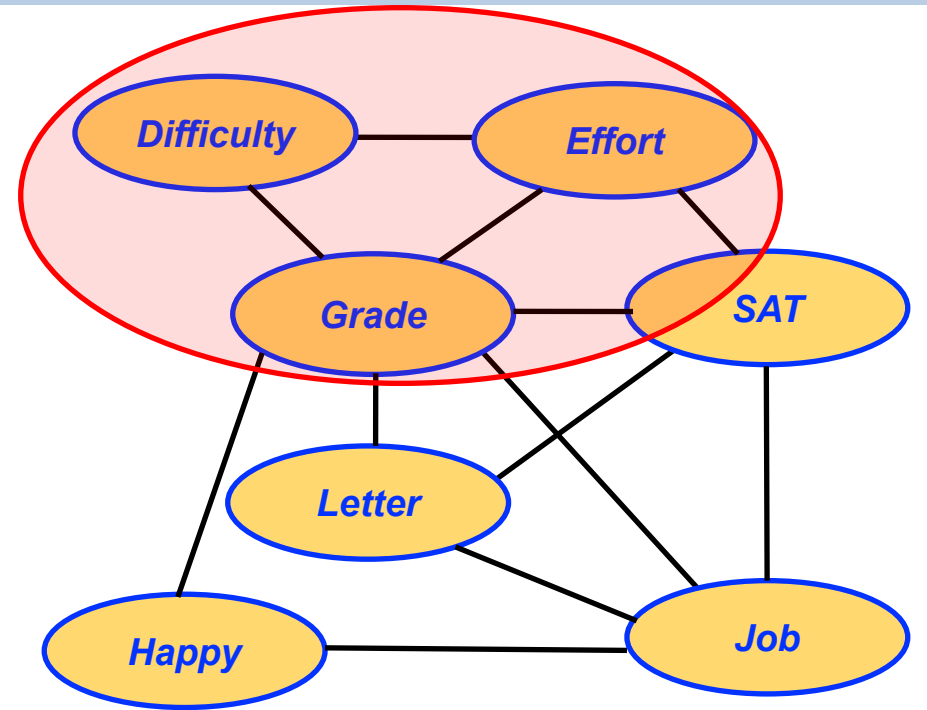
Induced graph cliques \longleftrightarrow **Intermediate factors**

Induced graph (and complexity) depend strongly on elimination order

Optimal Ordering

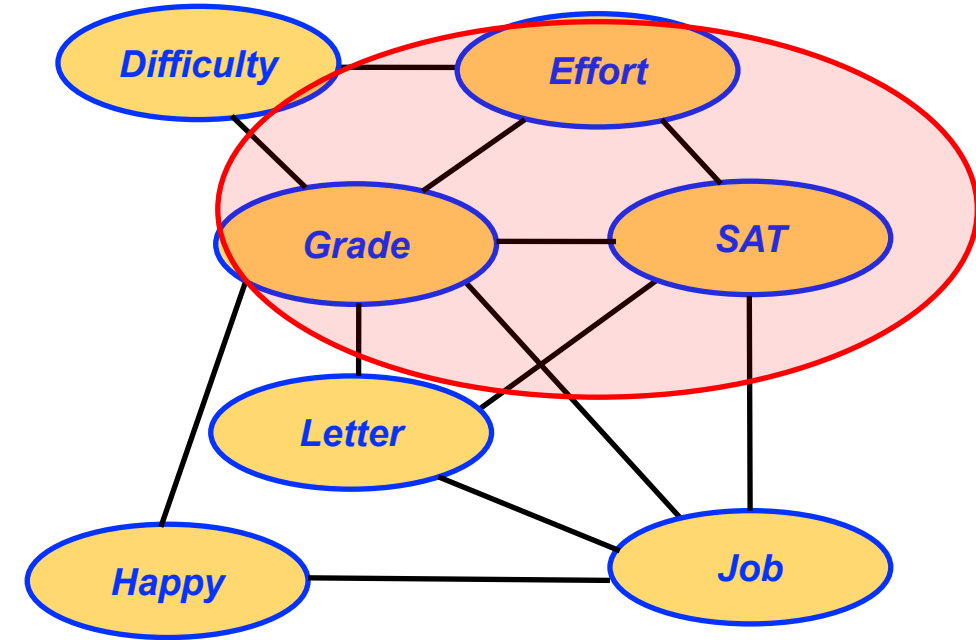
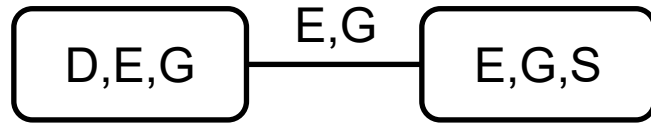
Clique Tree

D,E,G



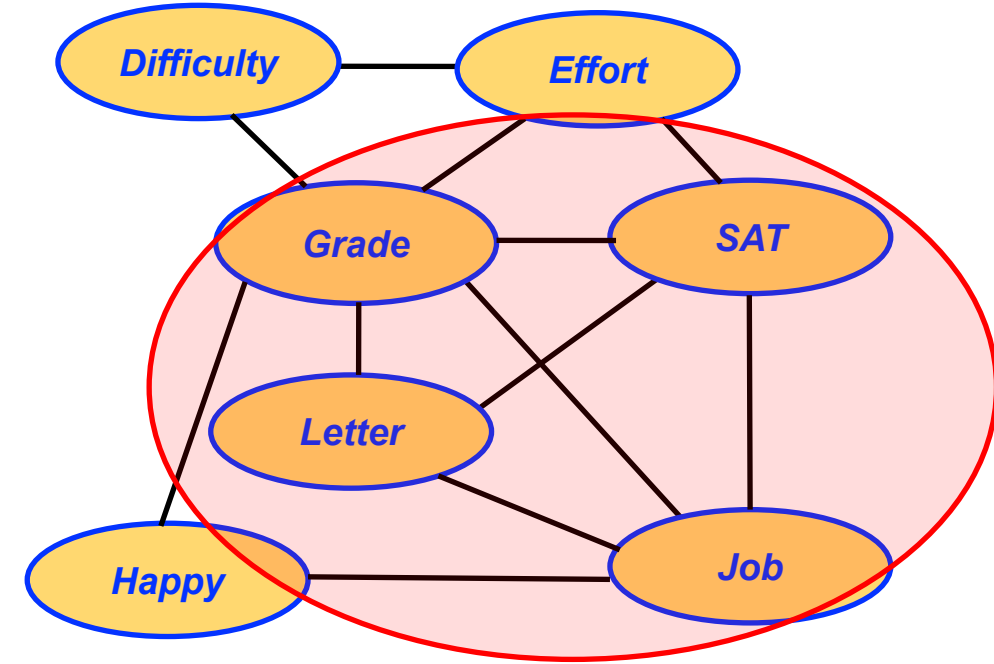
Optimal Ordering

Clique Tree



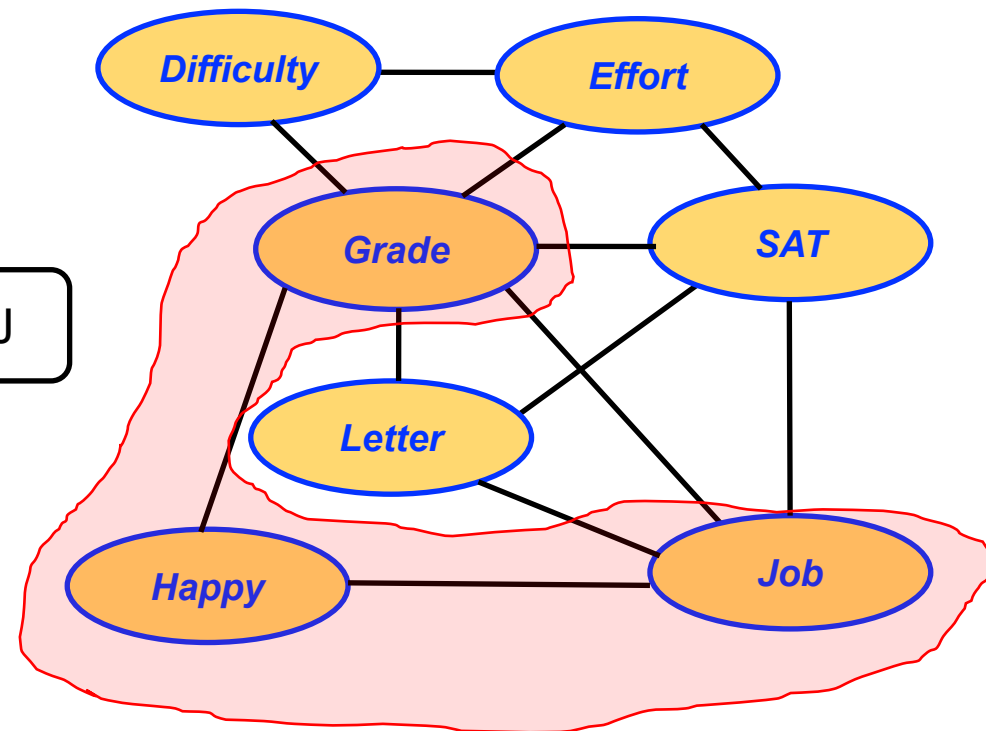
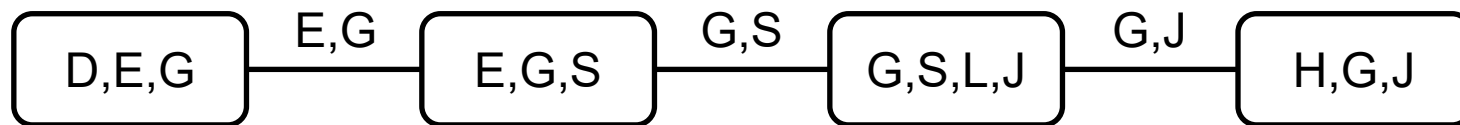
Optimal Ordering

Clique Tree



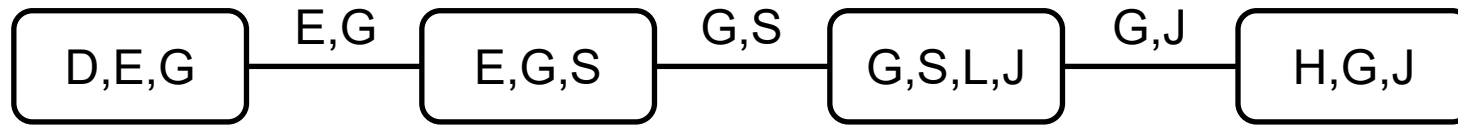
Optimal Ordering

Clique Tree



Optimal Ordering

Clique Tree

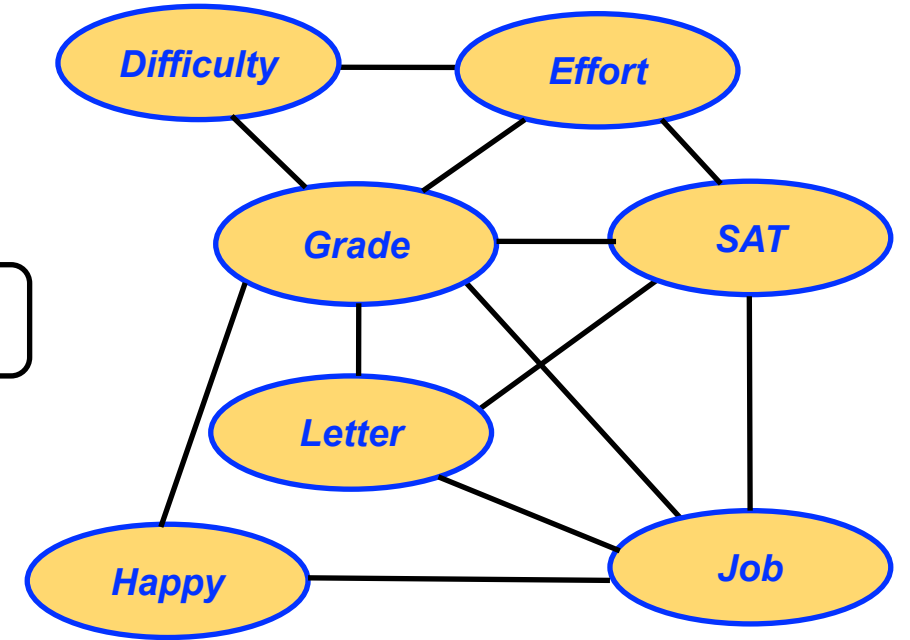


Elimination order \prec induces graph with maximal cliques $\mathcal{C}(\prec)$ and *width*:

$$w(\prec) = \max_{c \in \mathcal{C}(\prec)} |c| - 1$$

- Complexity of variable elimination is $\mathcal{O}(K^{w(\prec)+1})$
- Lowest complexity given by the *treewidth*:

$$w^* = \min_{\prec} \max_{c \in \mathcal{C}(\prec)} |c| - 1$$



It is NP-hard to compute treewidth, and therefore an optimal elimination order (of course...)

Variable Elimination Summary

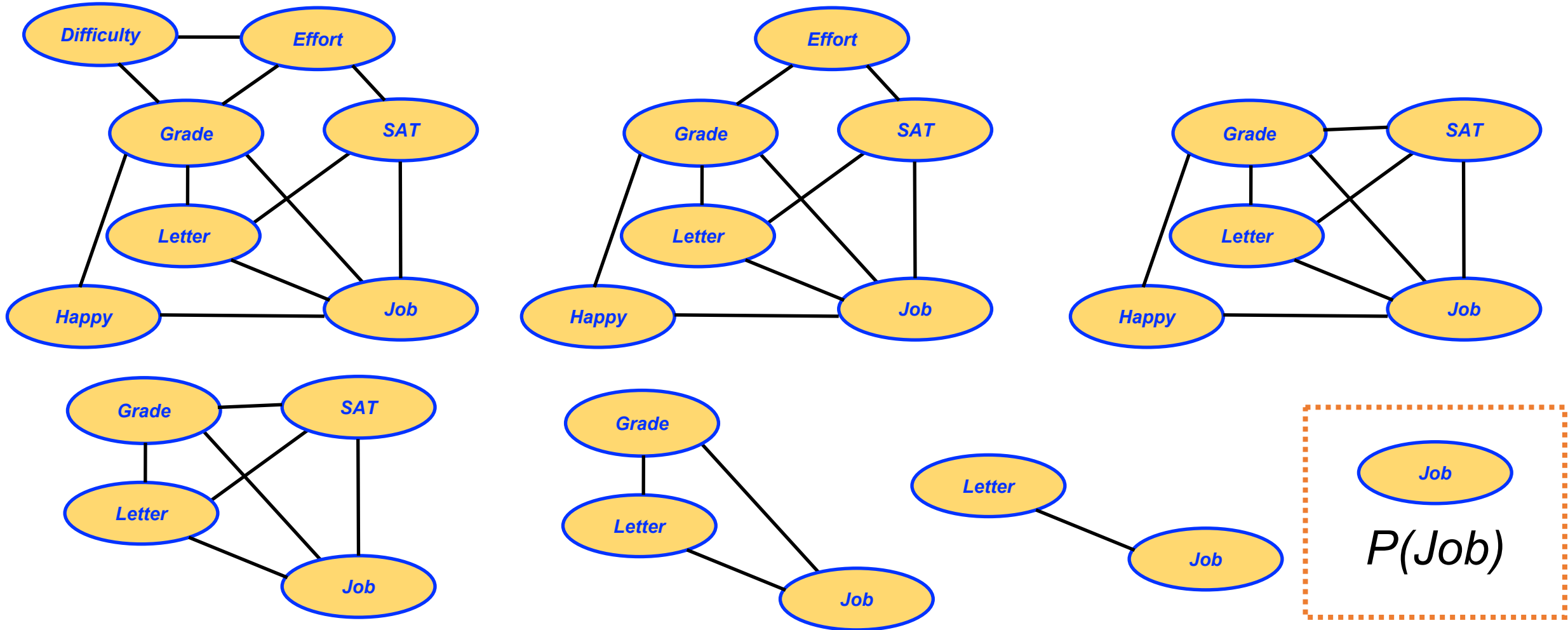
- Variable elimination allows computation of marginals / conditionals
- Algorithm is valid for **any graphical model**
- Suffices to show variable elimination for MRFs, since Bayes nets → MRFs by *moralization*
- Worst-case complexity is dependent on elimination order, and is **exponential** in number of variables
- Optimal ordering = treewidth, is NP-hard to compute

Outline

- Sum-Product Belief Propagation
- Loopy Belief Propagation
- Variable Elimination
- **Junction Tree Algorithm**
- Max-Product Belief Propagation

Variable Elimination

Recall variable elimination sequentially marginalizes out variables...



Variable Elimination

Two major limitations of variable elimination:

1. Computation **exponential** in size of the largest intermediate factor (equivalently, largest clique in clique tree)
2. Computation is not reused for computing a series of marginals

E.g. Suppose we use variable elimination to compute a marginal on an **HMM** with T nodes, each being K -valued

- It takes $\mathcal{O}(TK^2)$ time to compute a single marginal
- It takes $\mathcal{O}(T^2K^2)$ time to compute **all marginals**
- We know forward-backward computes all marginals in $\mathcal{O}(TK^2)$

Marginal Inference Algorithms

One Marginal

All Marginals

Tree

Elimination applied
to leaves of tree

Belief Propagation (BP)
or sum-product
algorithm

Graph

Variable
Elimination

Junction Tree Algorithm

BP on a junction tree
(special clique tree)

Marginal Inference Algorithms

One Marginal

All Marginals

Tree

Elimination applied
to leaves of tree

Belief Propagation (BP)
or sum-product
algorithm

Graph

Variable
Elimination

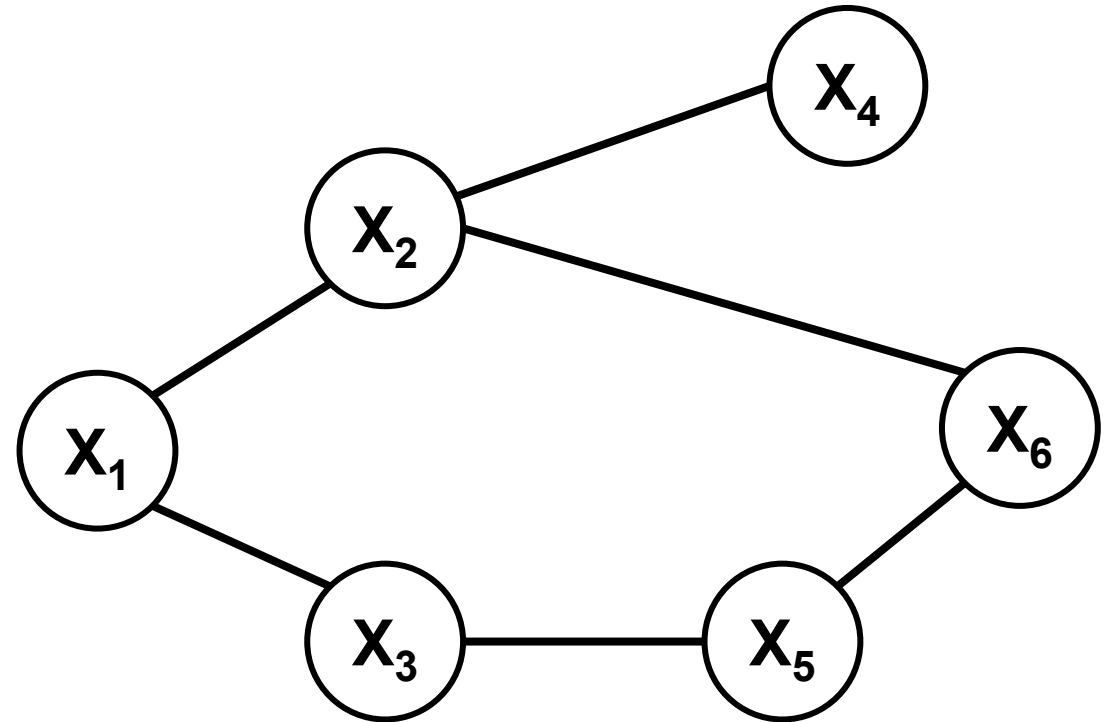
Junction Tree Algorithm

BP on a junction tree
(special clique tree)

Clique Tree

Elimination order: 6,5,4,3,2,1

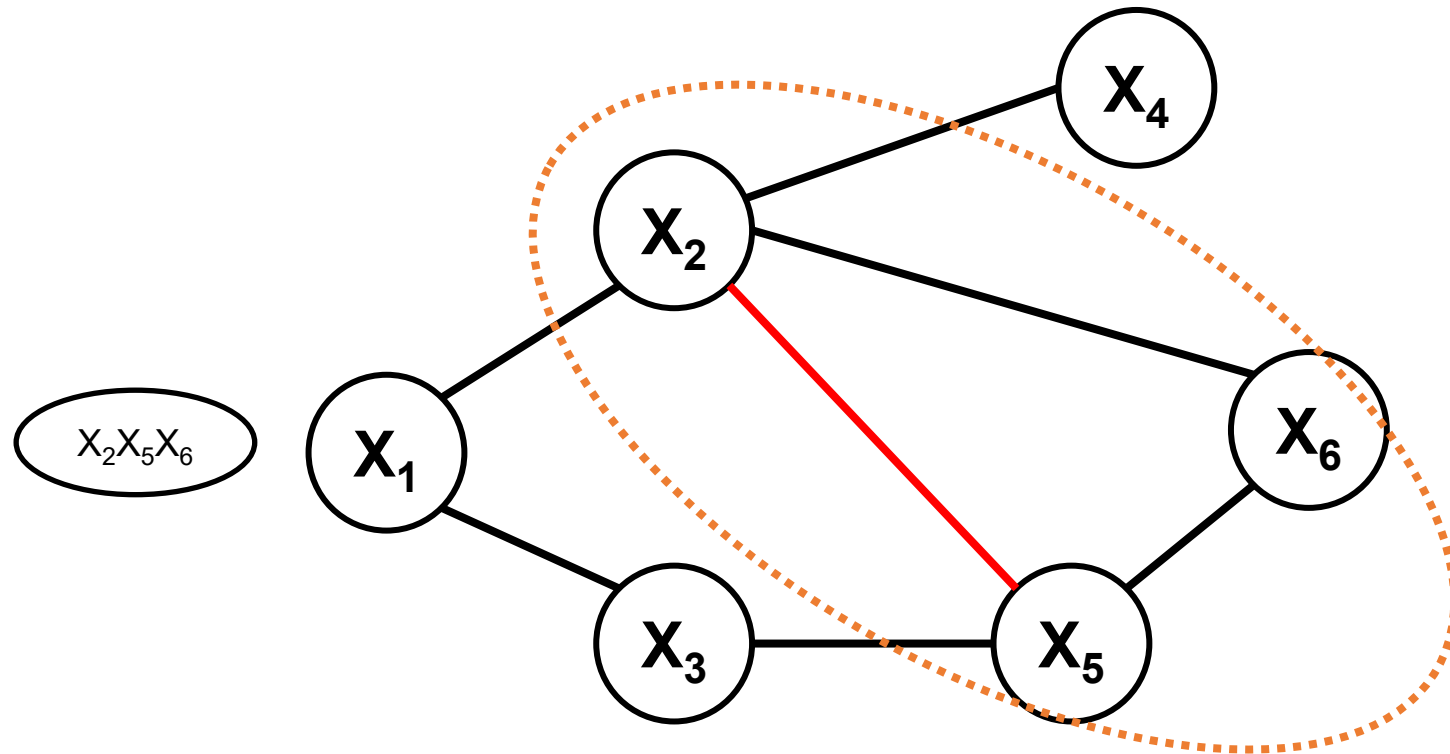
Clique Tree



Clique Tree

Elimination order: 6,5,4,3,2,1

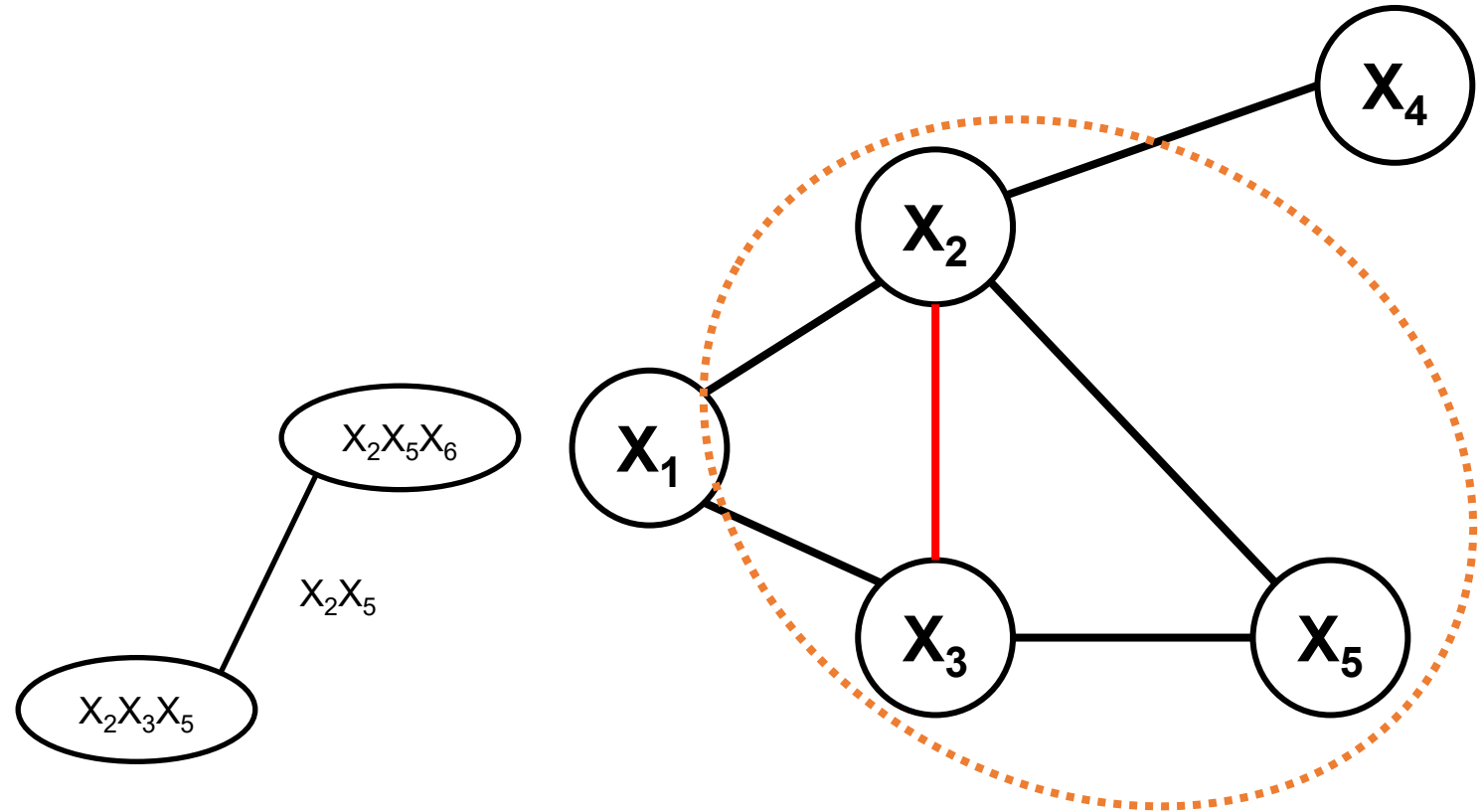
Clique Tree



Clique Tree

Elimination order: 6,5,4,3,2,1

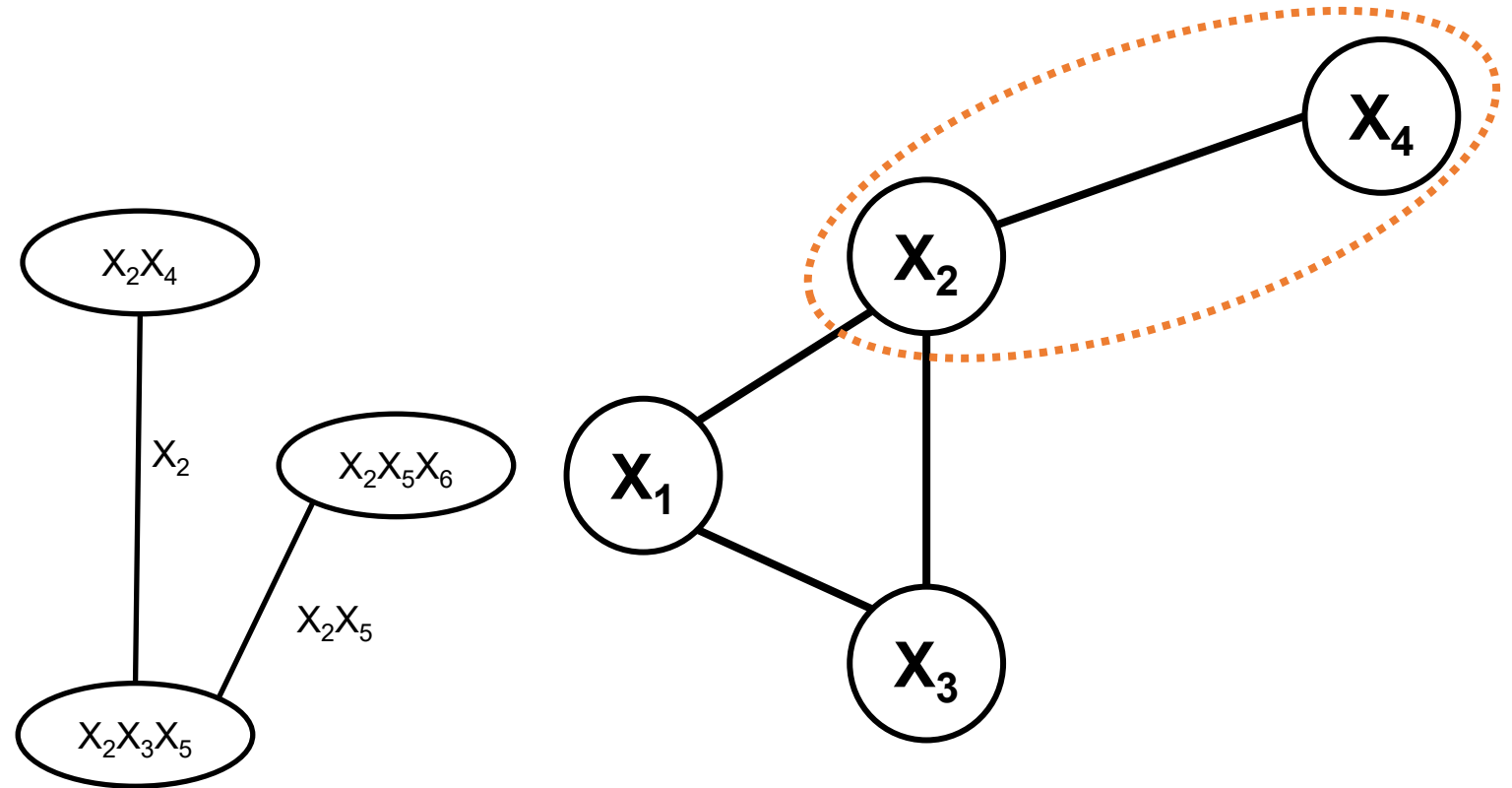
Clique Tree



Clique Tree

Elimination order: 6,5,4,3,2,1

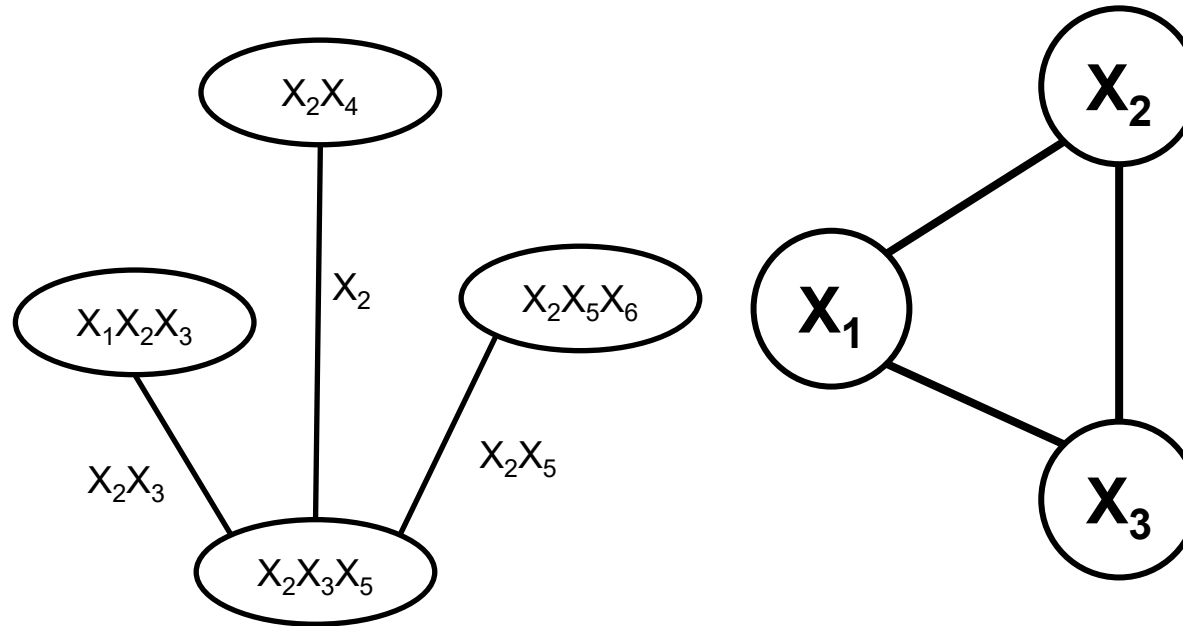
Clique Tree



Clique Tree

Elimination order: 6,5,4,3,2,1

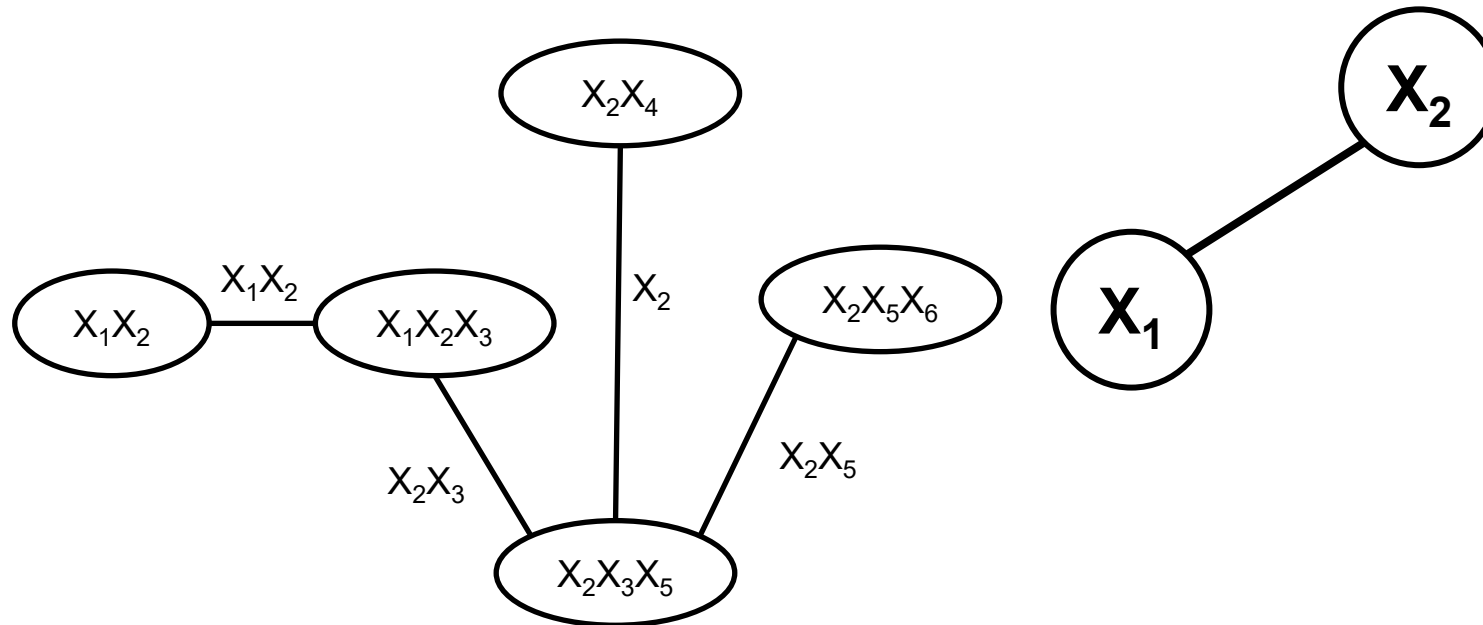
Clique Tree



Clique Tree

Elimination order: 6,5,4,3,2,1

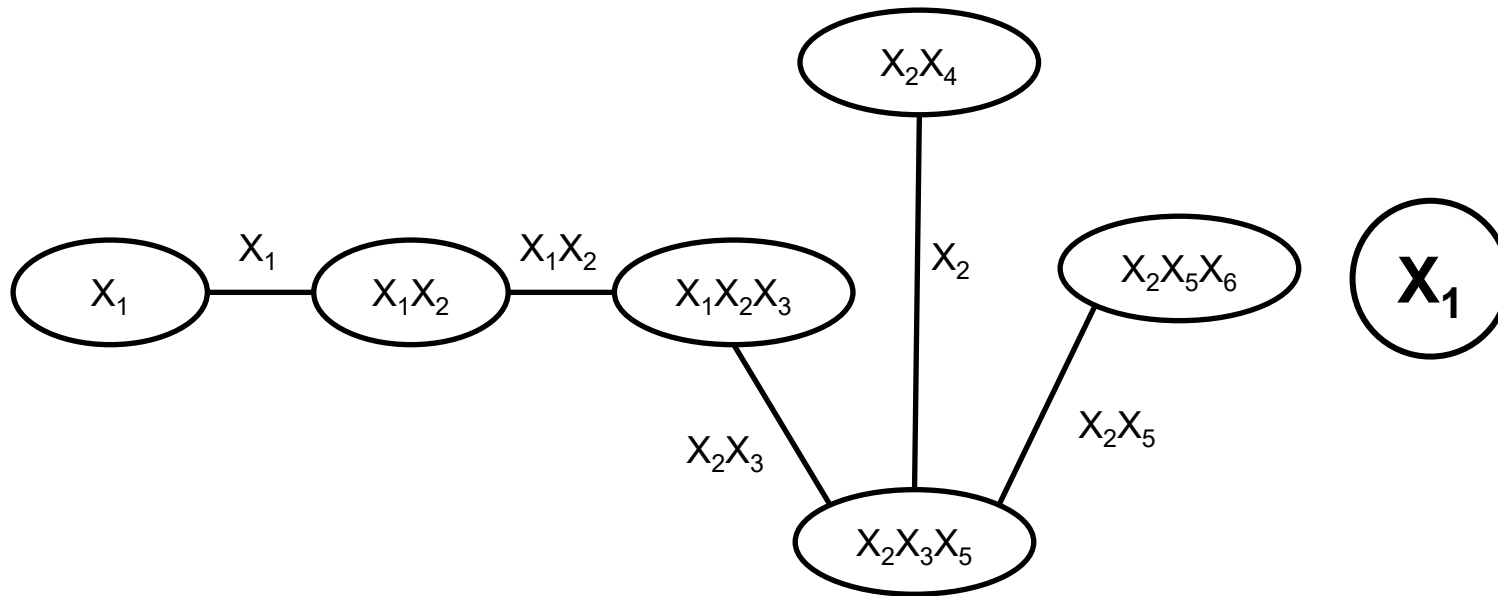
Clique Tree



Clique Tree

Elimination order: 6,5,4,3,2,1

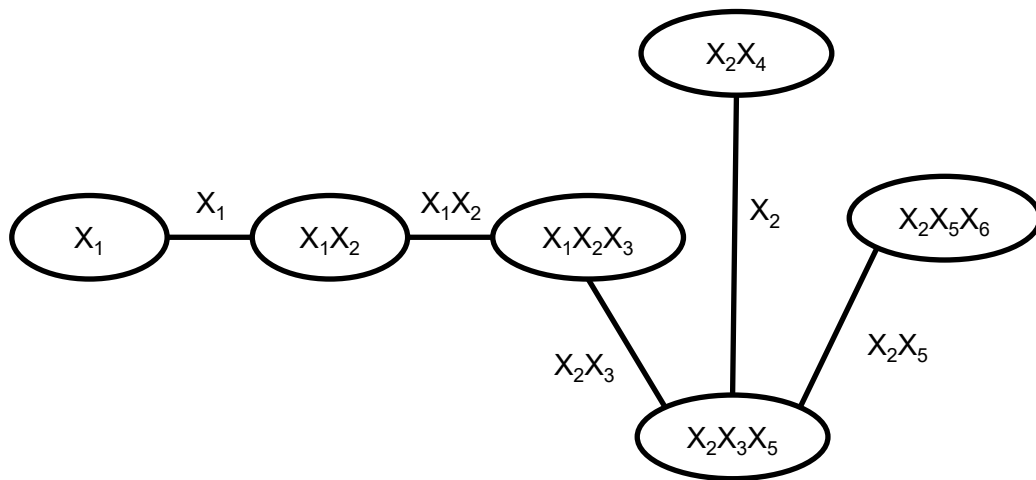
Clique Tree



Junction Tree

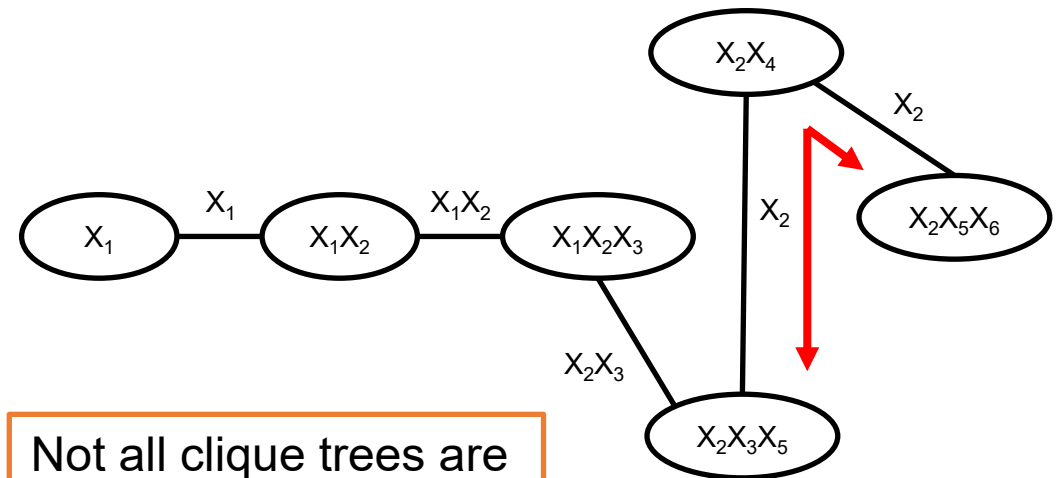
Definition (Running intersection) For any pair of clique nodes V, W all cliques on the *unique path* between V and W contain shared variables

Junction Tree



Not A Junction Tree

$$\{X_2, X_3, X_5\} \cap \{X_2, X_5, X_6\} = \{X_2, X_5\}$$



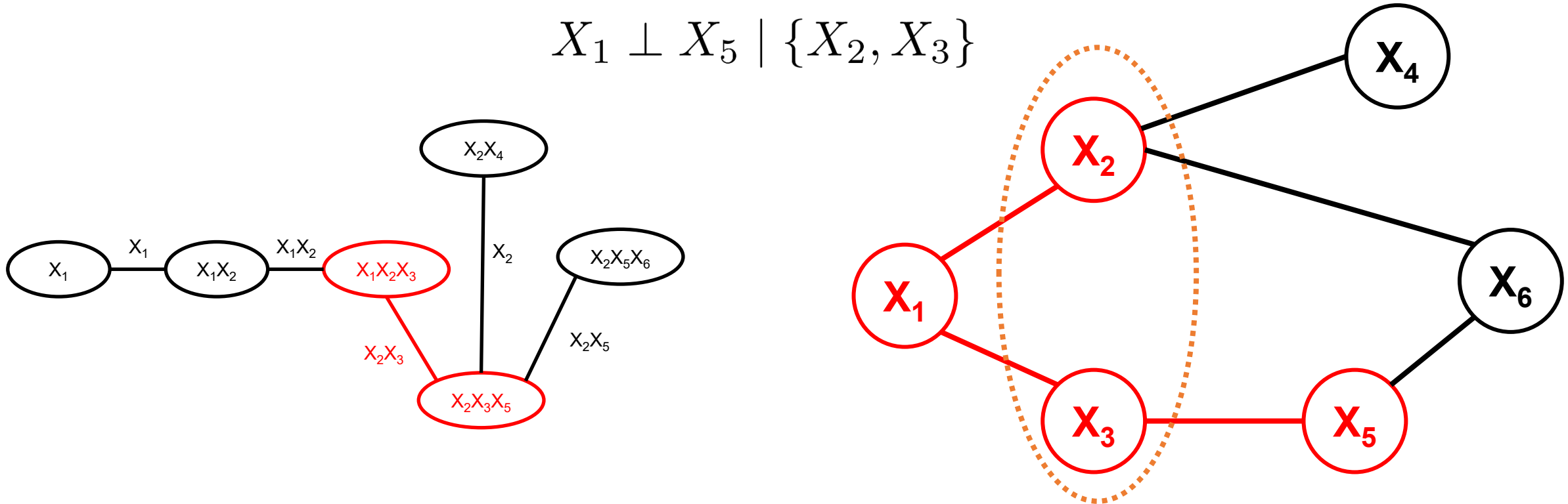
Not all clique trees are junction trees

A **junction tree** is a clique tree with the **running intersection** property

Junction Tree

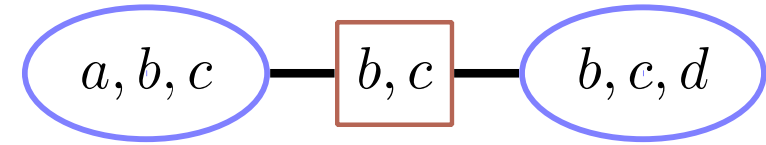
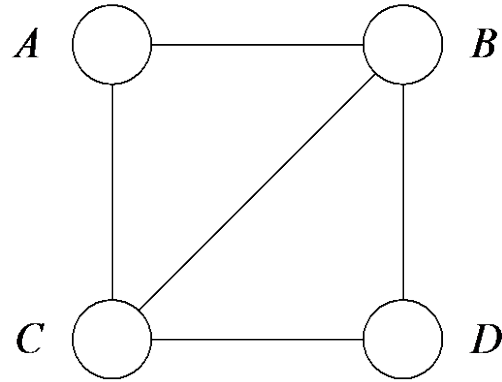
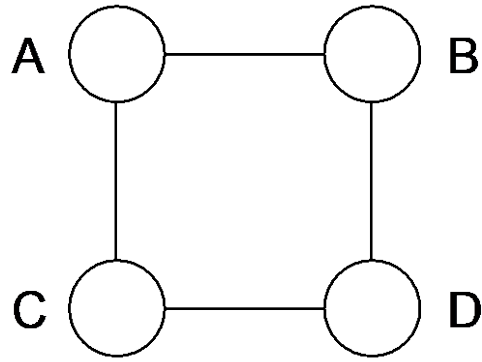
Clique tree edges are separator sets in original MRF...so clique tree encodes conditional independencies

$$X_1 \perp X_5 \mid \{X_2, X_3\}$$



Theorem A clique tree resulting from variable elimination satisfies the **running intersection property** and is thus a **junction tree**

Junction Trees and Triangulation



- A *chord* is an edge connecting two non-adjacent nodes in some *cycle*
- A cycle is *chordless* if it contains no chords
- A graph is *triangulated (chordal)* if it contains no chordless cycles of length 4 or more

Theorem: The maximal cliques of a graph have a corresponding junction tree *if and only if* that undirected graph is triangulated

Lemma: For a non-complete triangulated graph with at least 3 nodes, there is a decomposition of the nodes into disjoint sets A, B, S such that S separates A from B , and S is complete.

- Key induction argument in constructing junction tree from triangulation
- Implies existence of *elimination ordering which introduces no new edges*

Induced Graph

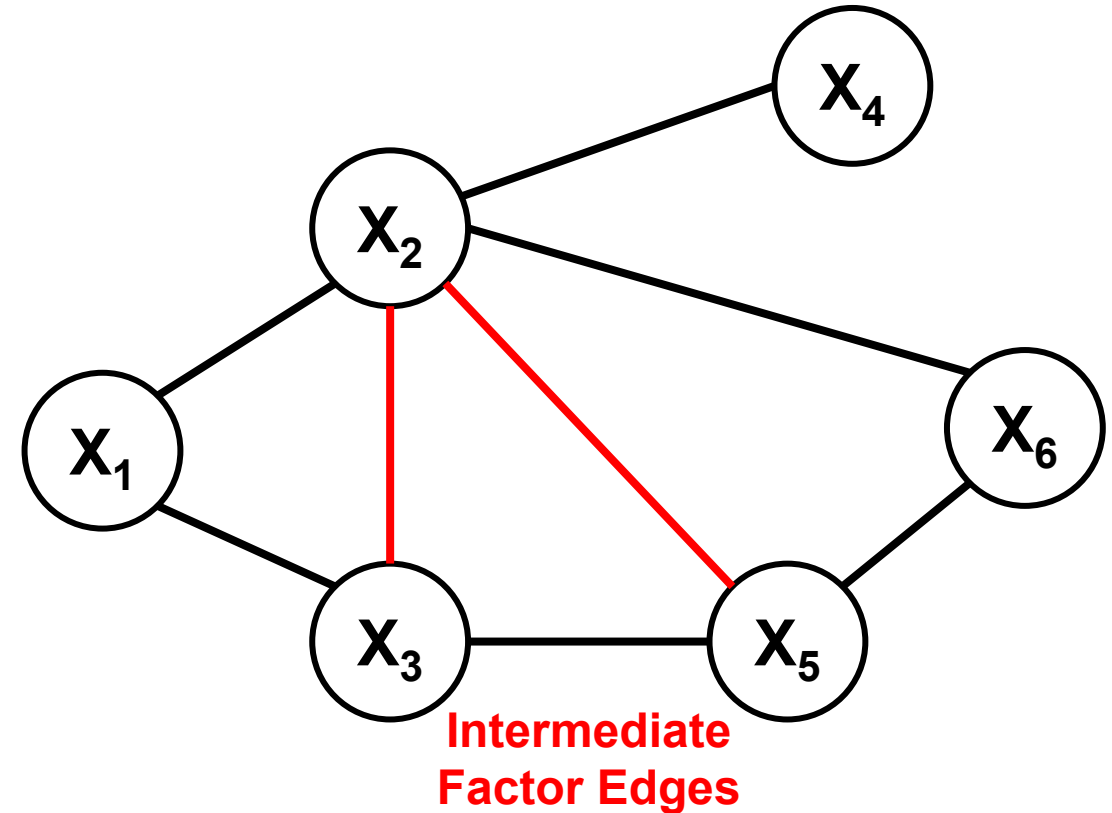
Recall the **induced graph** is the union over intermediate graphs from running variable elimination

The induced graph **is chordal** thus:

- Maximal cliques of the induced graph form a junction tree
- It admits an elimination ordering that introduces *no new edges*

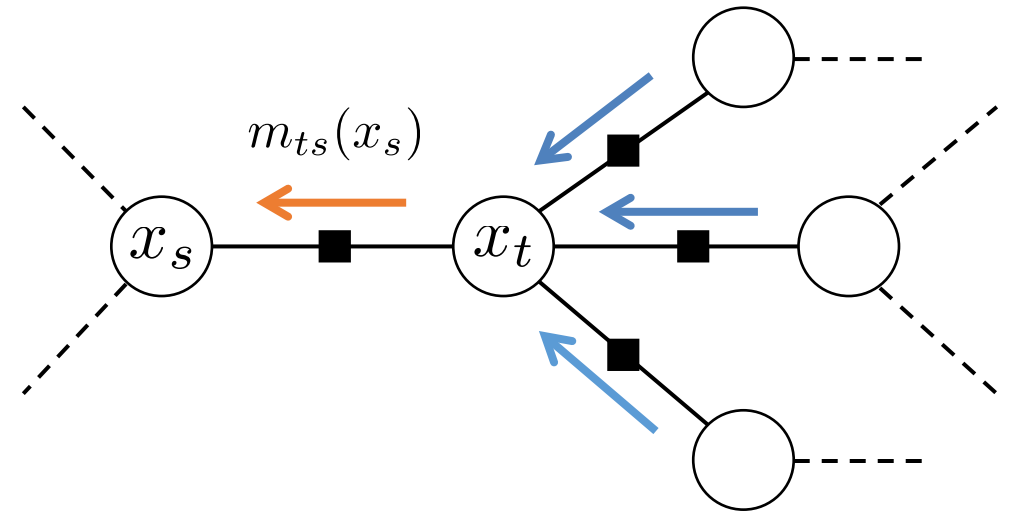
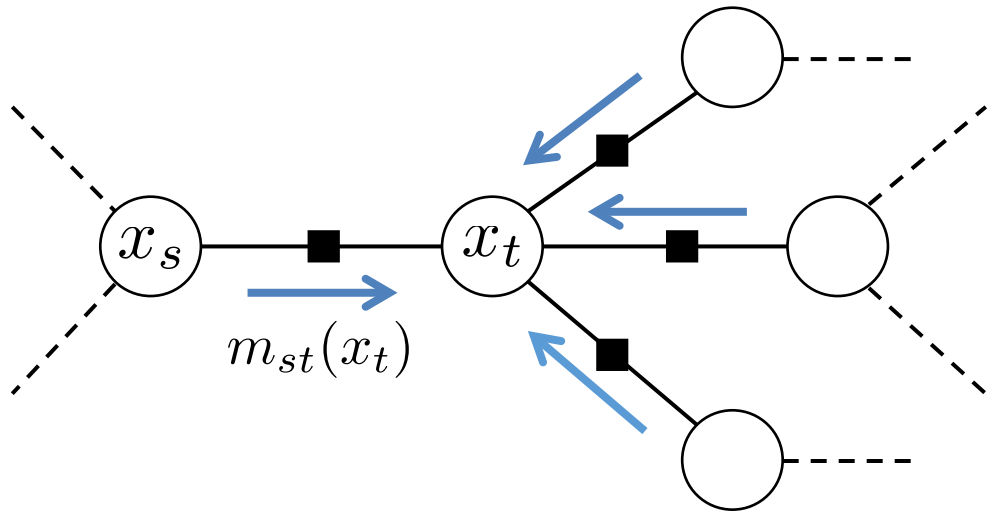
Logic of junction tree algorithm:

1. Triangulate the graph
 - a. Implies a junction tree
 - b. Induces an elimination order
2. Run sum-product BP on junction tree to compute **all clique marginals**



Reminder: Pairwise Sum-Product BP

Set of *neighbors* of node t : $\Gamma(t) = \{s \in \mathcal{V} \mid (s, t) \in \mathcal{F}\}$



$$p_t(x_t) \propto \prod_{s \in \Gamma(t)} m_{st}(x_t)$$

$$m_{ts}(x_s) = \sum_{x_t} \psi_{st}(x_s, x_t) \prod_{u \in \Gamma(t) \setminus s} m_{ut}(x_t)$$

K_t \longrightarrow number of discrete states for random variable x_t

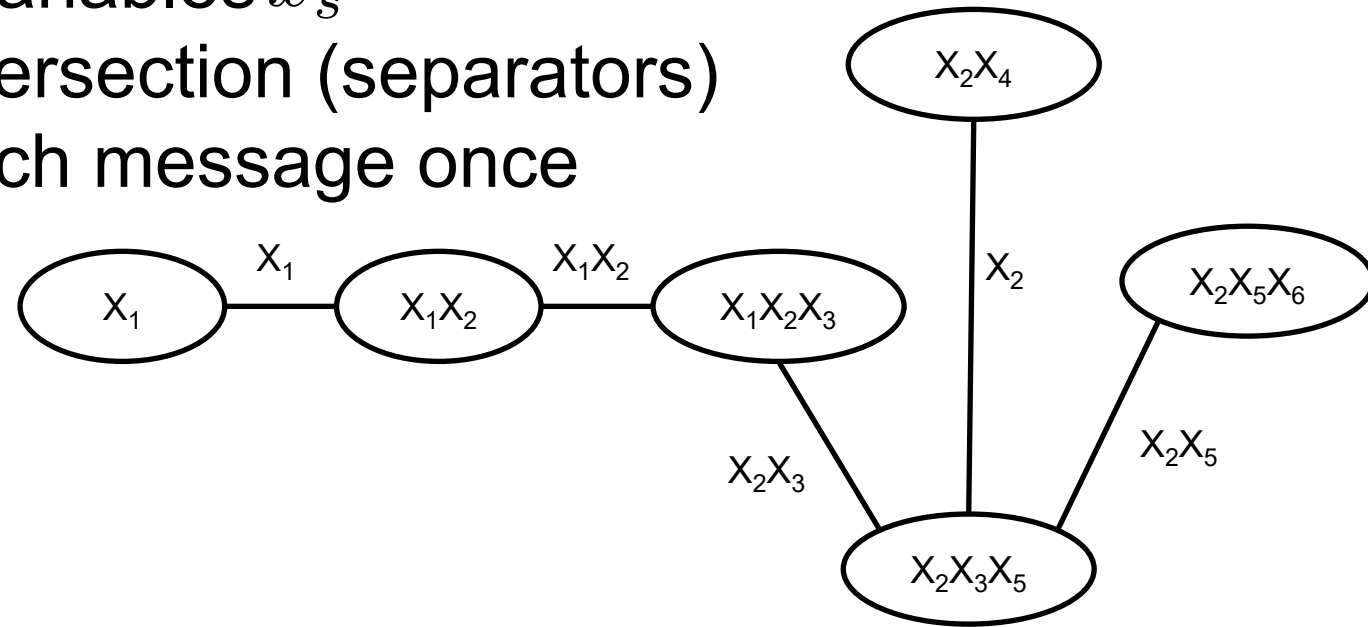
$p_t(x_t)$ \longrightarrow marginal distribution of the K_t discrete states of random variable x_t

$m_{st}(x_t)$ \longrightarrow message from node s to node t , a vector of K_t non-negative numbers

$m_{ts}(x_s)$ \longrightarrow message from node t to node s , a vector of K_s non-negative numbers

Sum-Product for Junction Trees (Shafer-Shenoy)

- Express algorithm via original variables x_s
- Messages depend on clique intersection (separators)
- Efficient schedules compute each message once



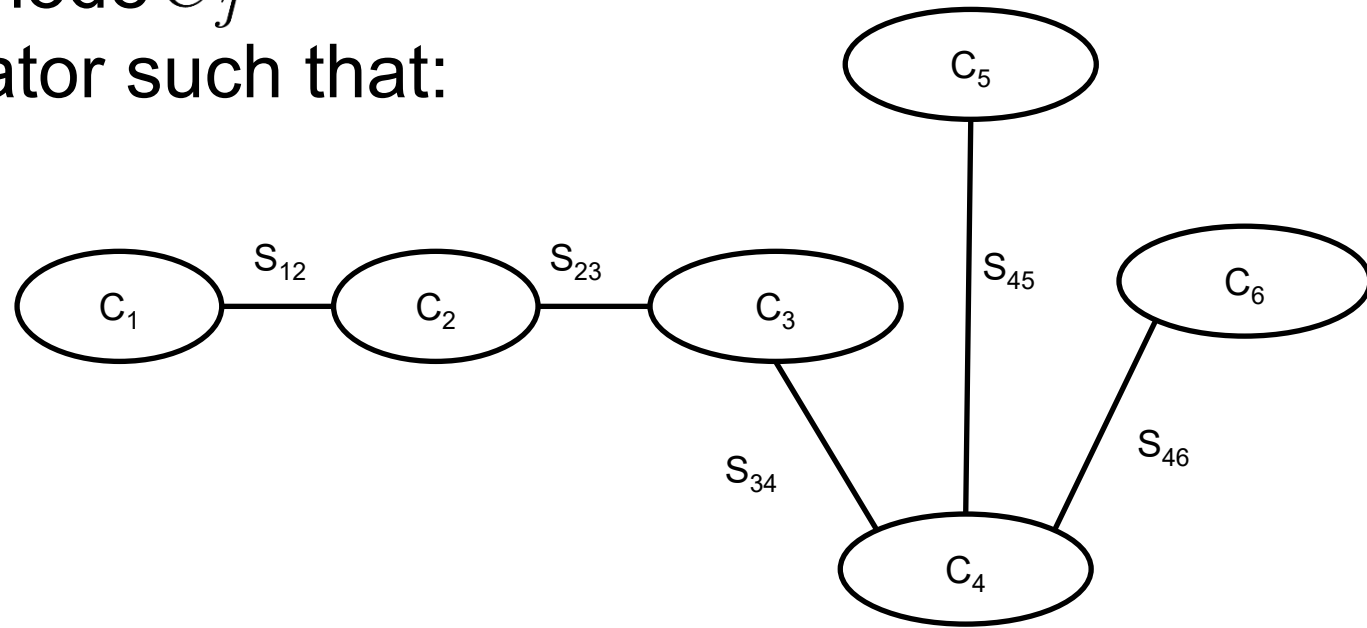
Sum-Product for Junction Trees (Shafer-Shenoy)

- Let x_{C_j} be variables in clique node C_j
- Let $x_{S_{ij}}$ be variables in separator such that:

$$x_{S_{ij}} = x_{C_i} \cap x_{C_j}$$

- Let *residual* variables be:

$$x_{R_{ij}} = x_{C_i} \setminus x_{S_{ij}}$$



Sum-Product for Junction Trees (Shafer-Shenoy)

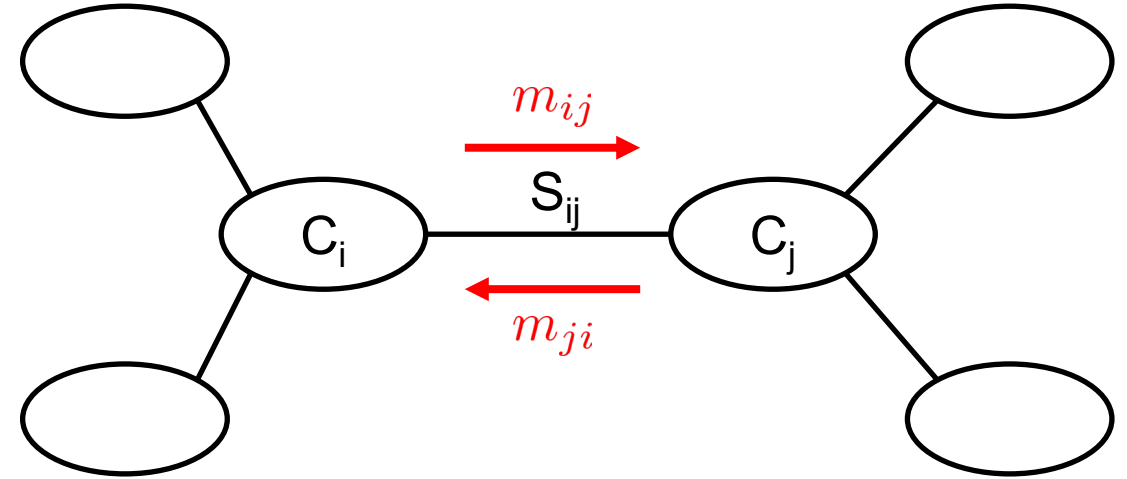
- Let x_{C_j} be variables in clique node C_j
- Let $x_{S_{ij}}$ be variables in separator such that:

$$x_{S_{ij}} = x_{C_i} \cap x_{C_j}$$

- Let *residual* variables be:

$$x_{R_{ij}} = x_{C_i} \setminus x_{S_{ij}}$$

- Pass sum-product messages between clique nodes



Message: $m_{ji}(x_{S_{ji}}) \propto \sum_{x_{R_{ji}}} \psi_{C_j}(x_{C_j}) \prod_{k \in \Gamma(j) \setminus i} m_{kj}(x_{S_{kj}})$

Marginal: $p_j(x_{C_j}) \propto \psi_{C_j}(x_{C_j}) \prod_{i \in \Gamma(j)} m_{ij}(x_{S_{ij}})$

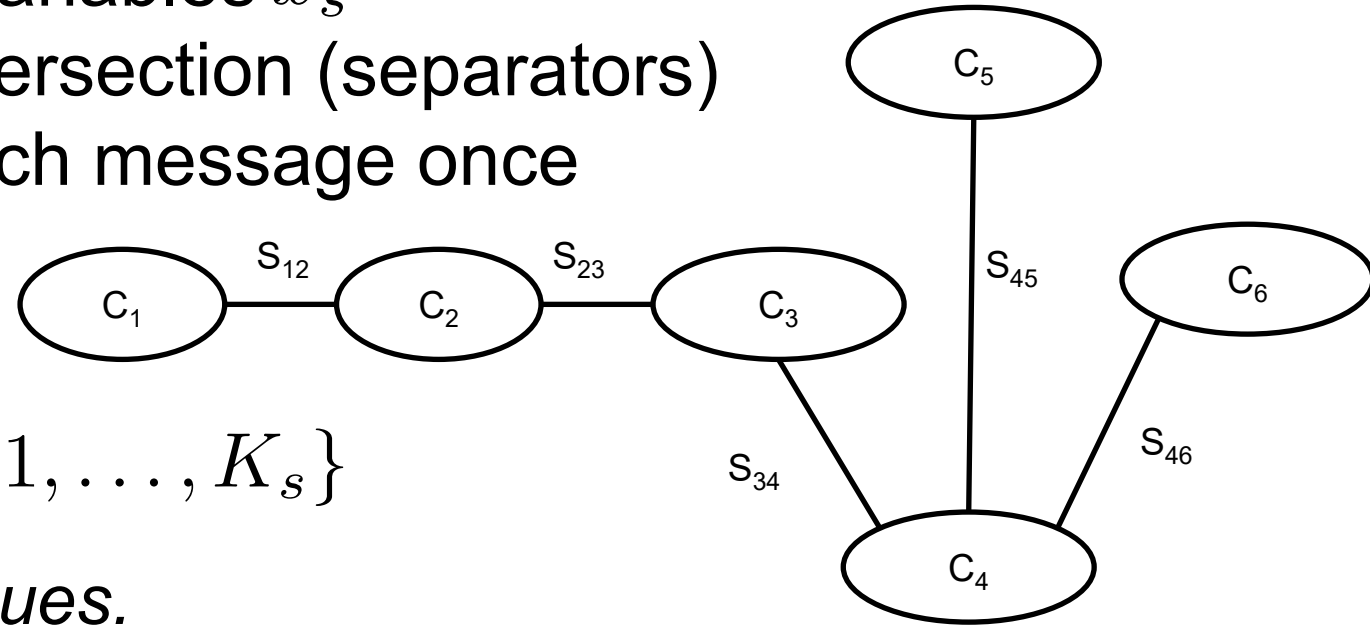
Sum-Product for Junction Trees (Shafer-Shenoy)

- Express algorithm via original variables x_s
- Messages depend on clique intersection (separators)
- Efficient schedules compute each message once

Storage & Computational Cost

$$\mathcal{O}\left(\sum_j \prod_{s \in C_j} K_s\right), \text{ where } x_s \in \{1, \dots, K_s\}$$

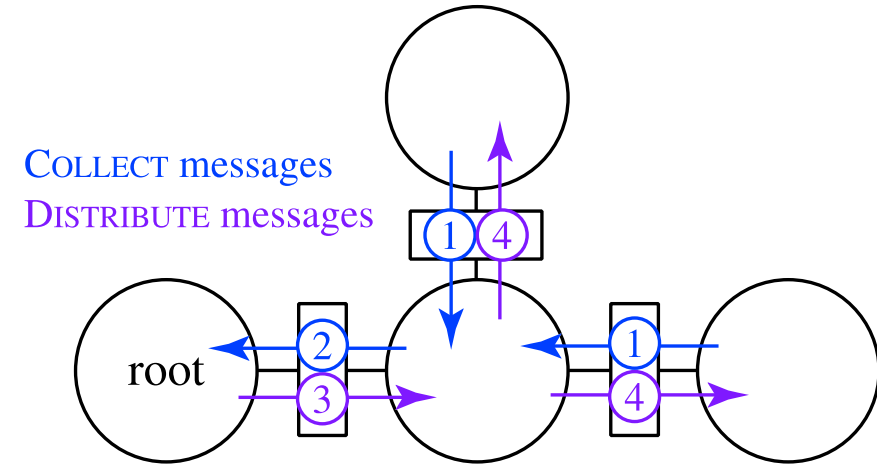
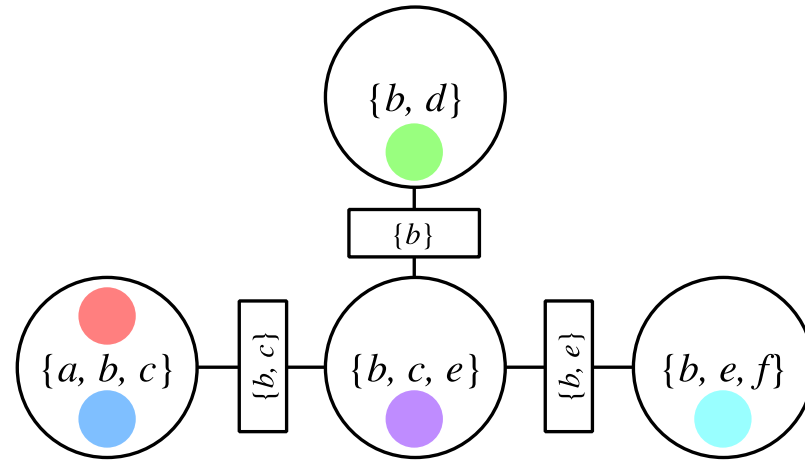
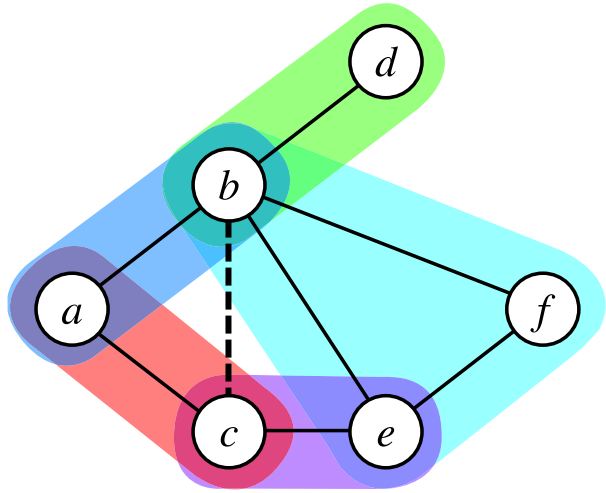
Exponential in sizes of maximal cliques.



Message: $m_{ji}(x_{S_{ji}}) \propto \sum_{x_{R_{ji}}} \psi_{C_j}(x_{C_j}) \prod_{k \in \Gamma(j) \setminus i} m_{kj}(x_{S_{kj}})$

Marginal: $p_j(x_{C_j}) \propto \psi_{C_j}(x_{C_j}) \prod_{i \in \Gamma(j)} m_{ij}(x_{S_{ij}})$

Summary: Junction Tree Algorithm



$$p_j(x_{C_j}) \propto \psi_{C_j}(x_{C_j}) \prod_{i \in \Gamma(j)} m_{ij}(x_{S_{ij}})$$

$$S_{ij} = S_{ji} = C_i \cap C_j$$

Junction Tree Algorithms for General-Purpose Inference

1. If necessary, convert graphical model to undirected form (*linear in graph size*)
2. Triangulate the target undirected graph
 - Any elimination ordering generates a valid triangulation (*linear in graph size*)
 - Finding an optimal triangulation, with minimal cliques, is **NP-hard**
3. Arrange triangulated cliques into a junction tree (*at worst quadratic in graph size*)
4. Execute sum-product algorithm on junction tree (*exponential in clique size*)

Outline

- Sum-Product Belief Propagation
- Loopy Belief Propagation
- Variable Elimination
- Junction Tree Algorithm
- **Max-Product Belief Propagation**

Maximum A Posteriori (MAP) Inference



Rather than *marginalize* sometimes we want to *maximize*, e.g.

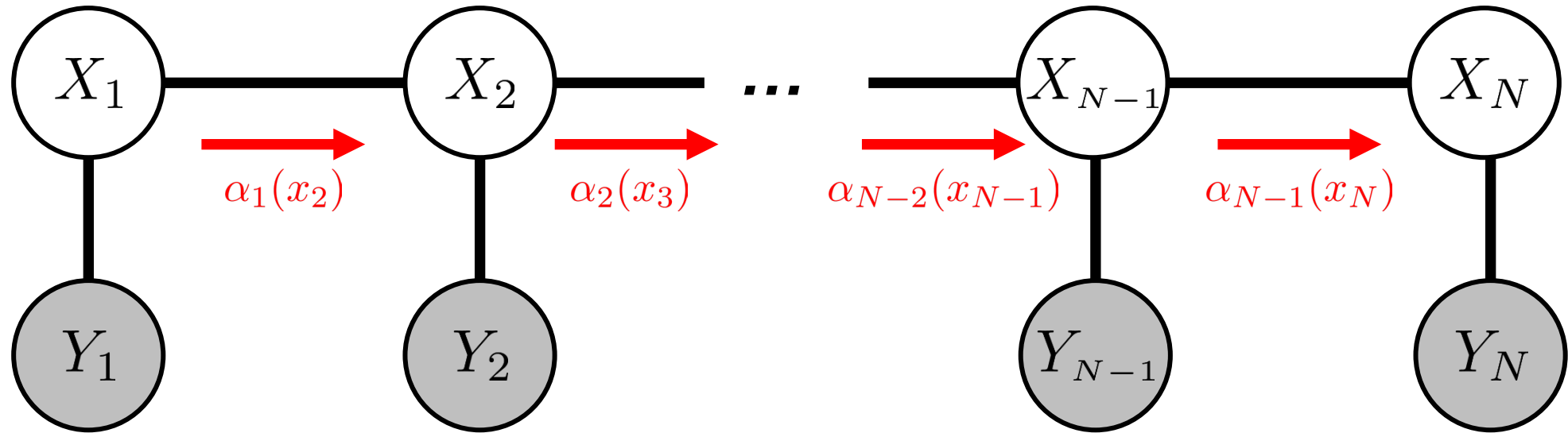
$$(x_1^*, x_2^*, \dots, x_N^*) = \arg \max_{\mathbf{x}} p(\mathbf{x} \mid \mathbf{y})$$

Maximizing the log-joint is equivalent and numerically more stable:

$$(x_1^*, x_2^*, \dots, x_N^*) = \arg \max_{\mathbf{x}} \log p(\mathbf{x}, \mathbf{y}) + \text{const.}$$

Forward-Backward Algorithm

Recall the Forward-Backward algorithm messages...



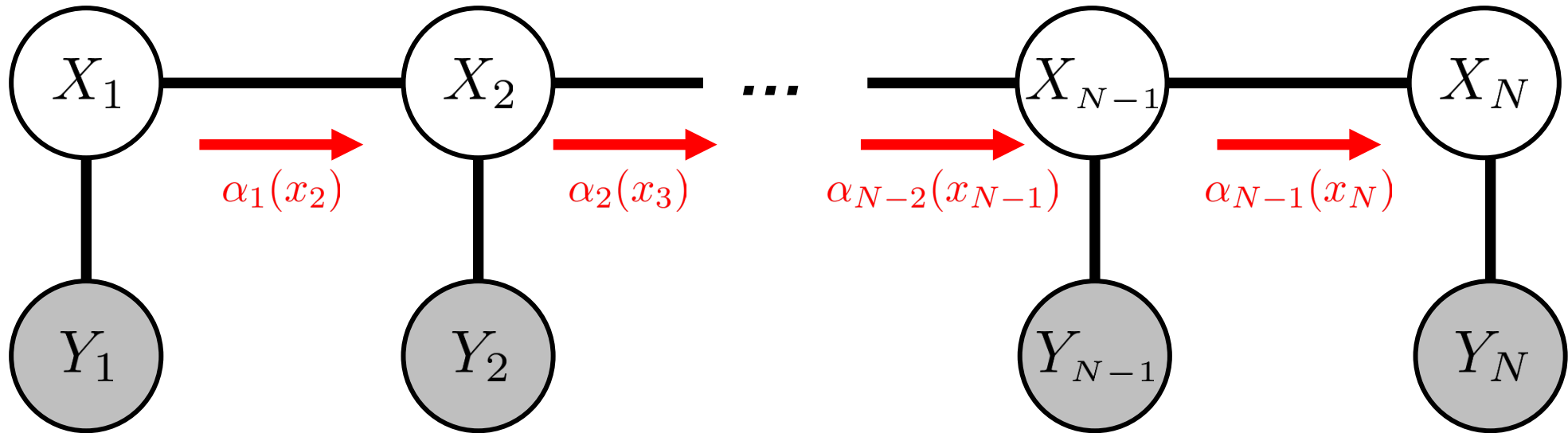
Forward message:

$$\alpha_{n-1}(x_n) = \underbrace{\sum_{x_{n-1}} \alpha_{n-2}(x_{n-1}) \psi(x_{n-1}, x_n) \psi(x_n, y_n)}_{\text{Sum over state } x_{n-1}}$$

Sum over state x_{n-1}

Viterbi Algorithm

Maximize instead of marginalize...



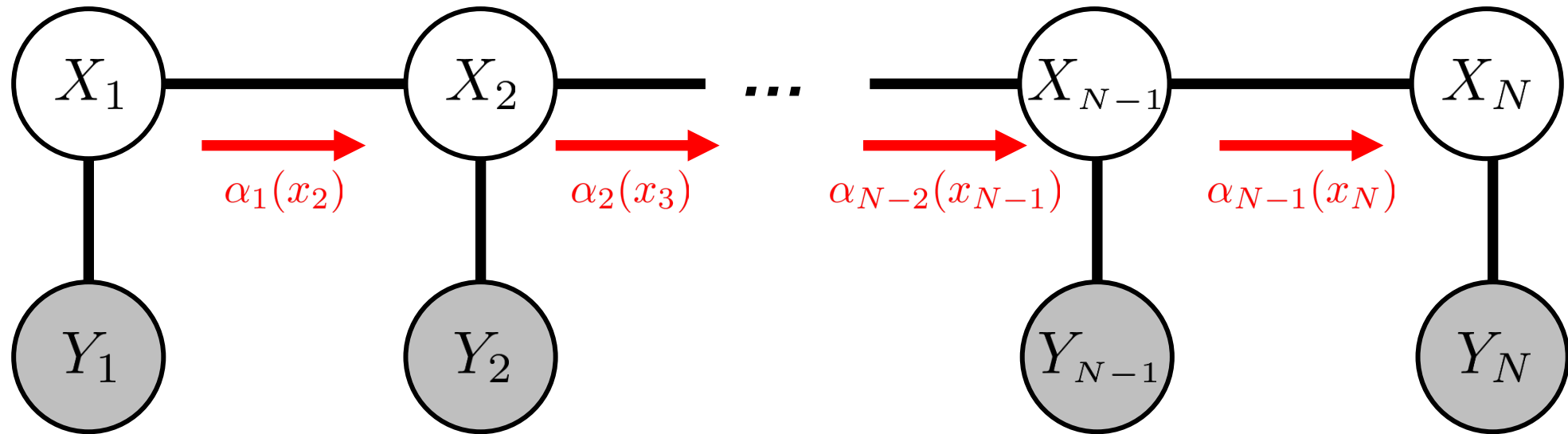
Forward message:

$$\alpha_{n-1}(x_n) = \max_{x_{n-1}} \underbrace{\log \psi(x_n, y_n) + \alpha_{n-2}(x_{n-1}) + \log \psi(x_{n-1}, x_n)}_{\text{Maximize over state } x_{n-1} \text{ (in log-domain)}}$$

Maximize over state x_{n-1} (in log-domain)

Viterbi Algorithm

Maximize instead of marginalize...



Forward message:

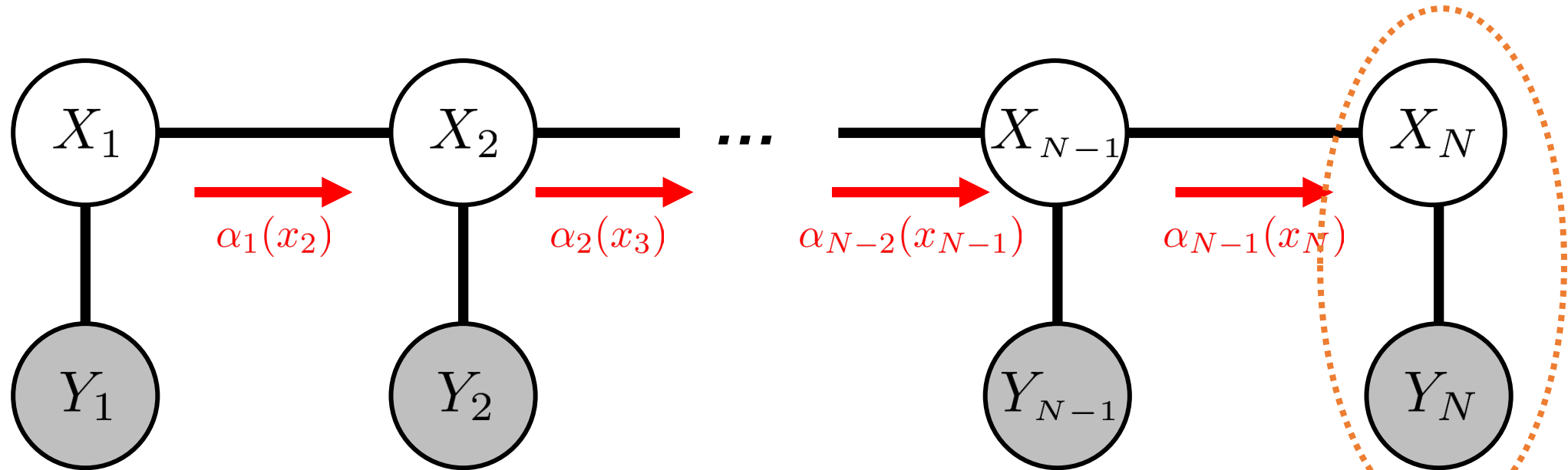
$$\alpha_{n-1}(x_n) = \max_{x_{n-1}} \log \psi(x_n, y_n) + \alpha_{n-2}(x_{n-1}) + \log \psi(x_{n-1}, x_n)$$

We also store the argmax values:

$$x_{n-1}^*(x_n) = \arg \max_{x_{n-1}} \log \psi(x_n, y_n) + \alpha_{n-2}(x_{n-1}) + \log \psi(x_{n-1}, x_n)$$

Viterbi Algorithm

Maximize instead of marginalize...



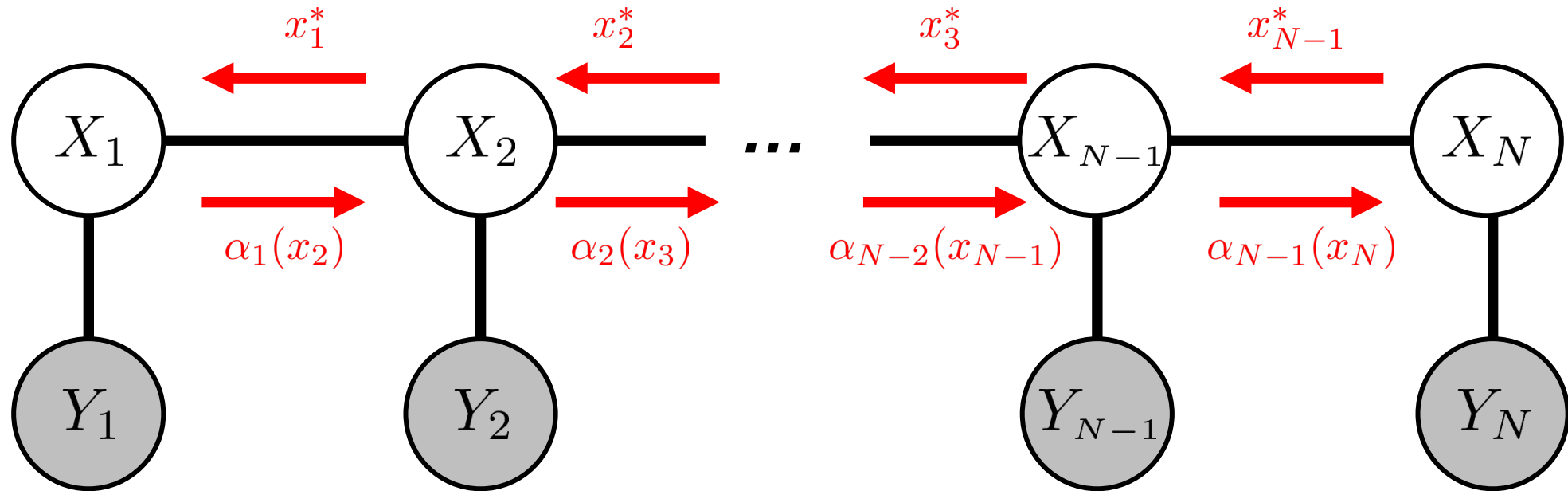
Final node gives maximum (up to const.) and maximizer of posterior:

$$\alpha_{N-1}(x_N) = \max_{x_1, \dots, x_{N-1}} \log p(x_1, \dots, x_N | \mathbf{y}) + \text{const.}$$

$$x_{N-1}^*(x_N) = \arg \max_{x_1, \dots, x_{N-1}} \log p(x_1, \dots, x_N | \mathbf{y}) + \text{const.}$$

Viterbi Algorithm

Backwards pass reads off joint maximizer...



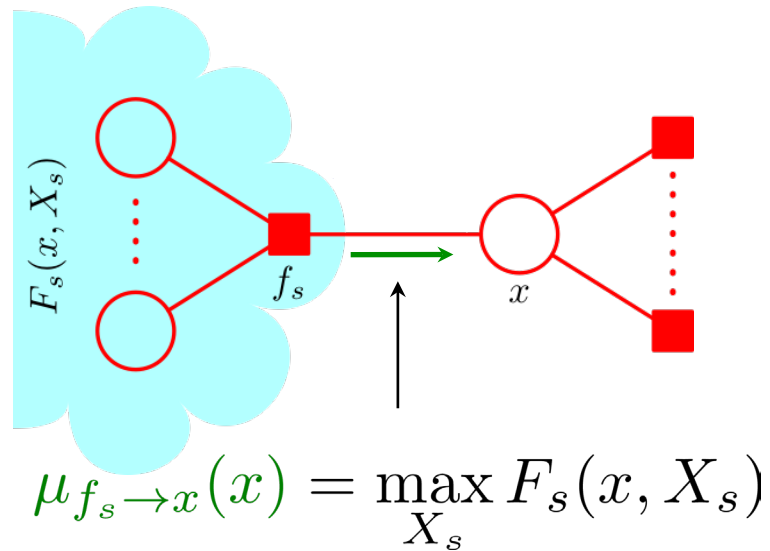
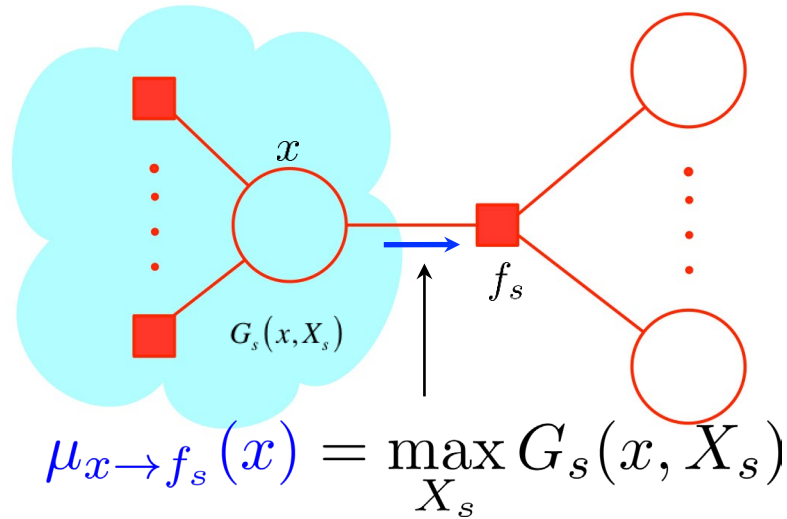
Backward Pass: $x_n^* = x_n^*(x_{n+1}^*)$

Joint maximizing sequence obtained at the end of backwards pass:

$$(x_1^*, x_2^*, \dots, x_N^*) = \arg \max_{\mathbf{x}} p(\mathbf{x} | \mathbf{y})$$

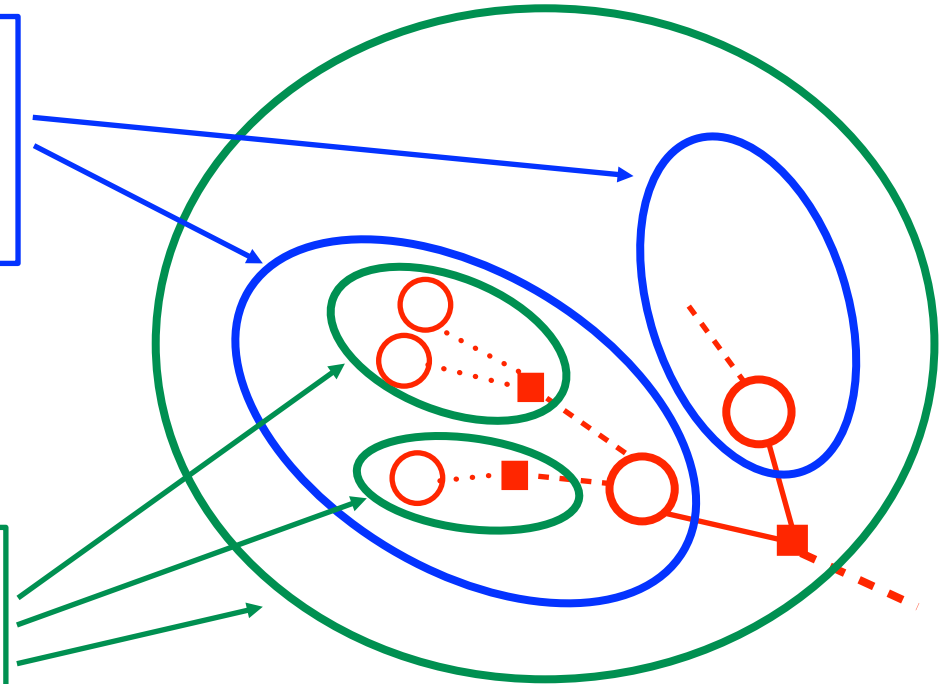
Max-Product (Max-Sum) Algorithm

Recall our decomposition of factor graph sub-trees...

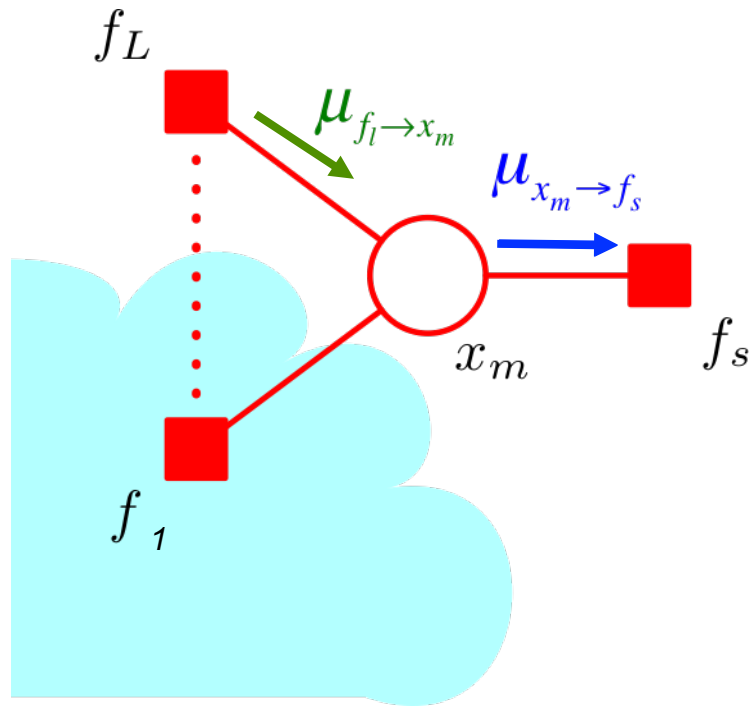


Maximize sub-tree rooted at variable node

Maximize sub-tree rooted at factor node

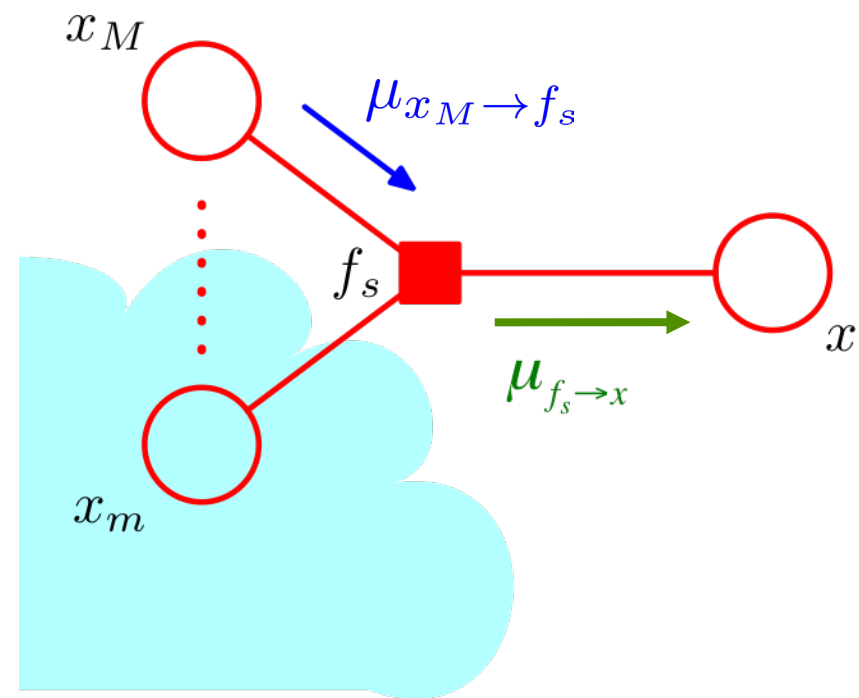


Max-product on a slide



Variable x_m gathers incoming messages and sends:

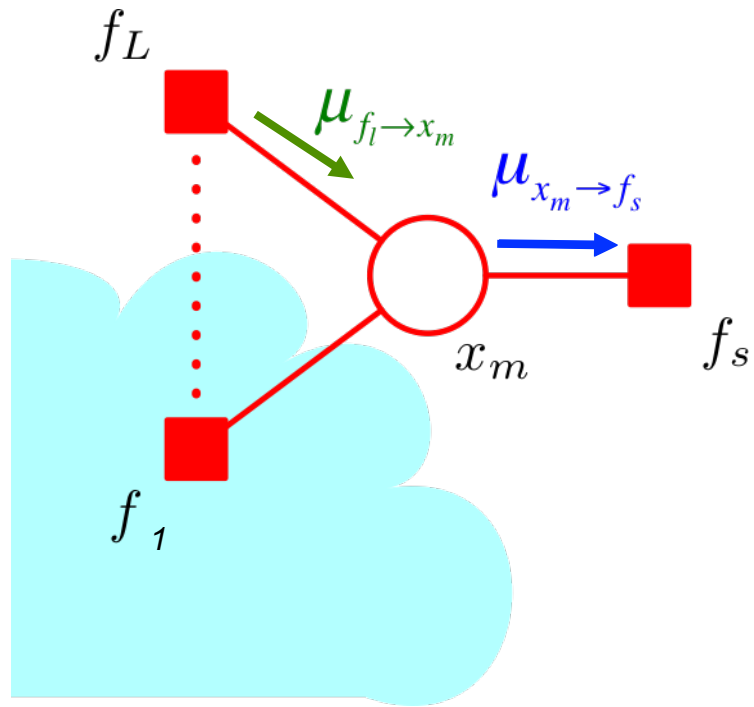
$$\mu_{x_m \rightarrow f_s}(x_m) = \prod_{f_l \in \text{ne}(x_m) \setminus f_s} \mu_{f_l \rightarrow x_m}(x_m)$$



Factor f_s gathers incoming messages and sends:

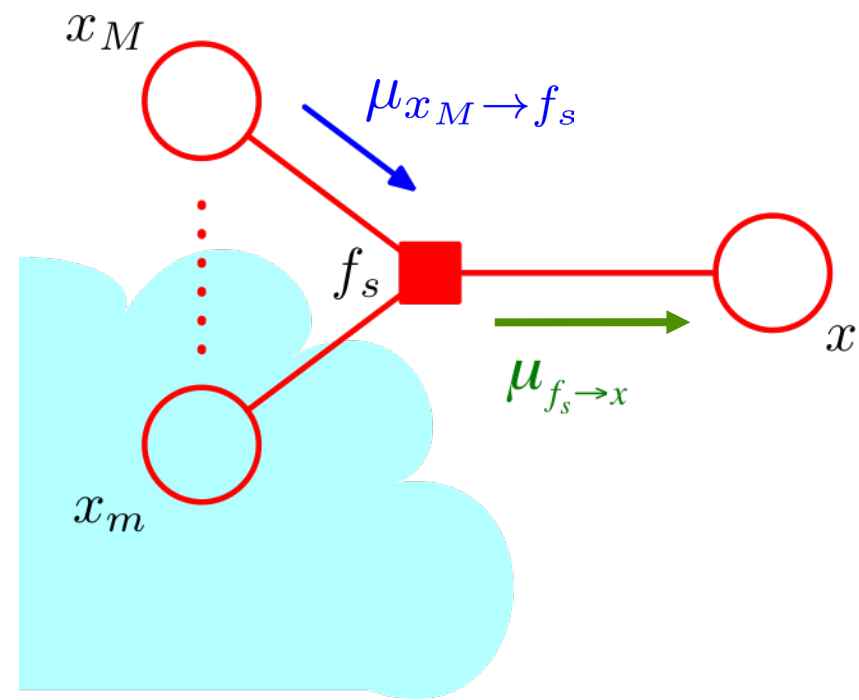
$$\mu_{f_s \rightarrow x}(x) = \max_{\mathbf{x} \setminus x} f_s(x, x_1, x_2, \dots, x_M) \prod_{m \in \text{ne}(f_s) \setminus x} \mu_{x_m \rightarrow f_s}(x_m)$$

Max-sum on a slide



Variable x_m gathers incoming messages and sends:

$$\log \mu_{x_m \rightarrow f_s}(x_m) = \sum_{f_l \in \text{ne}(x_m) \setminus f_s} \log \mu_{f_l \rightarrow x_m}(x_m)$$

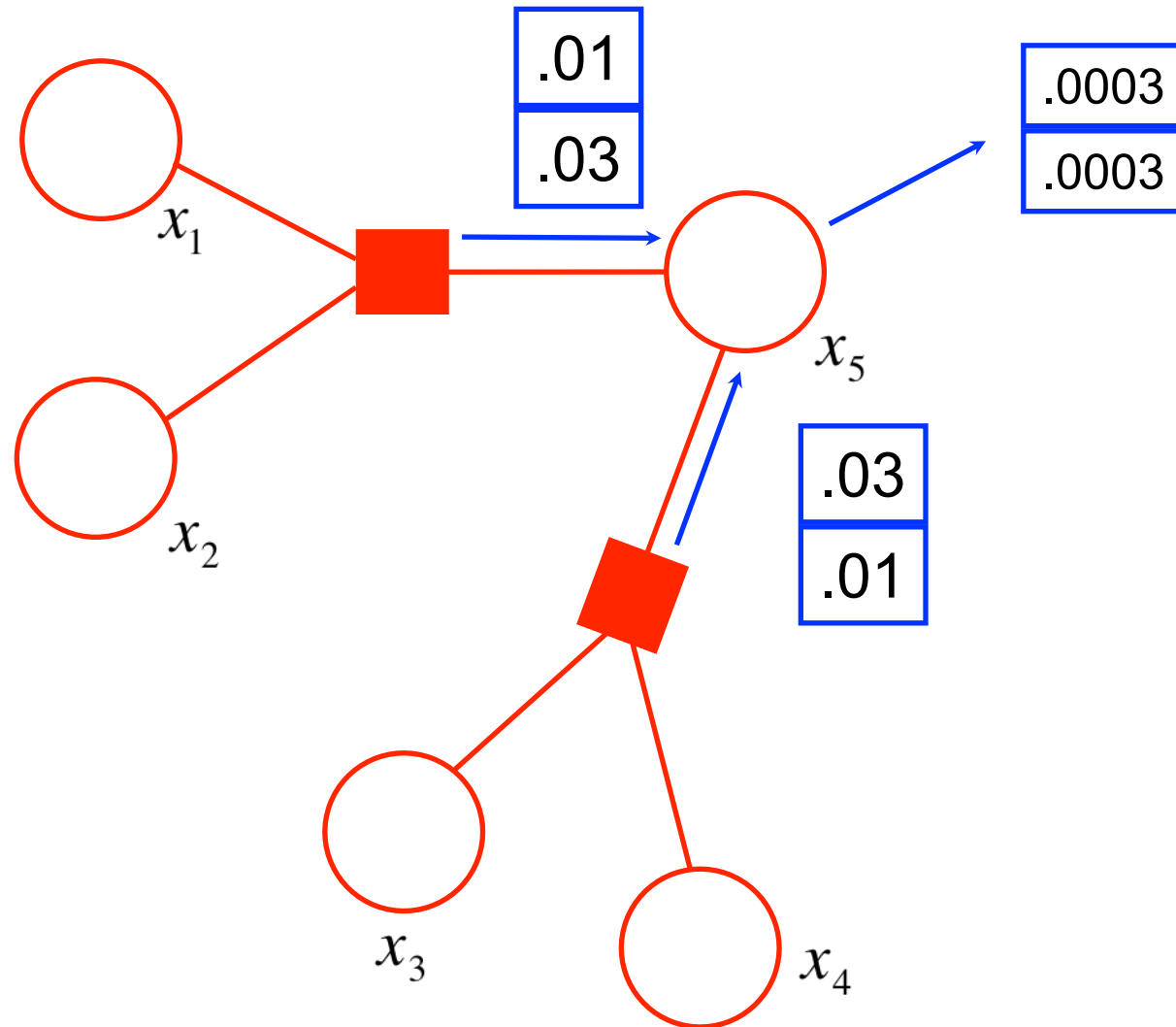


Factor f_s gathers incoming messages and sends:

$$\log \mu_{f_s \rightarrow x}(x) = \max_{\mathbf{x} \setminus x} \log f_s(x, x_1, x_2, \dots, x_M) + \sum_{m \in \text{ne}(f_s) \setminus x} \log \mu_{x_m \rightarrow f_s}(x_m)$$

More numerically stable to work in log-domain (max-sum)...

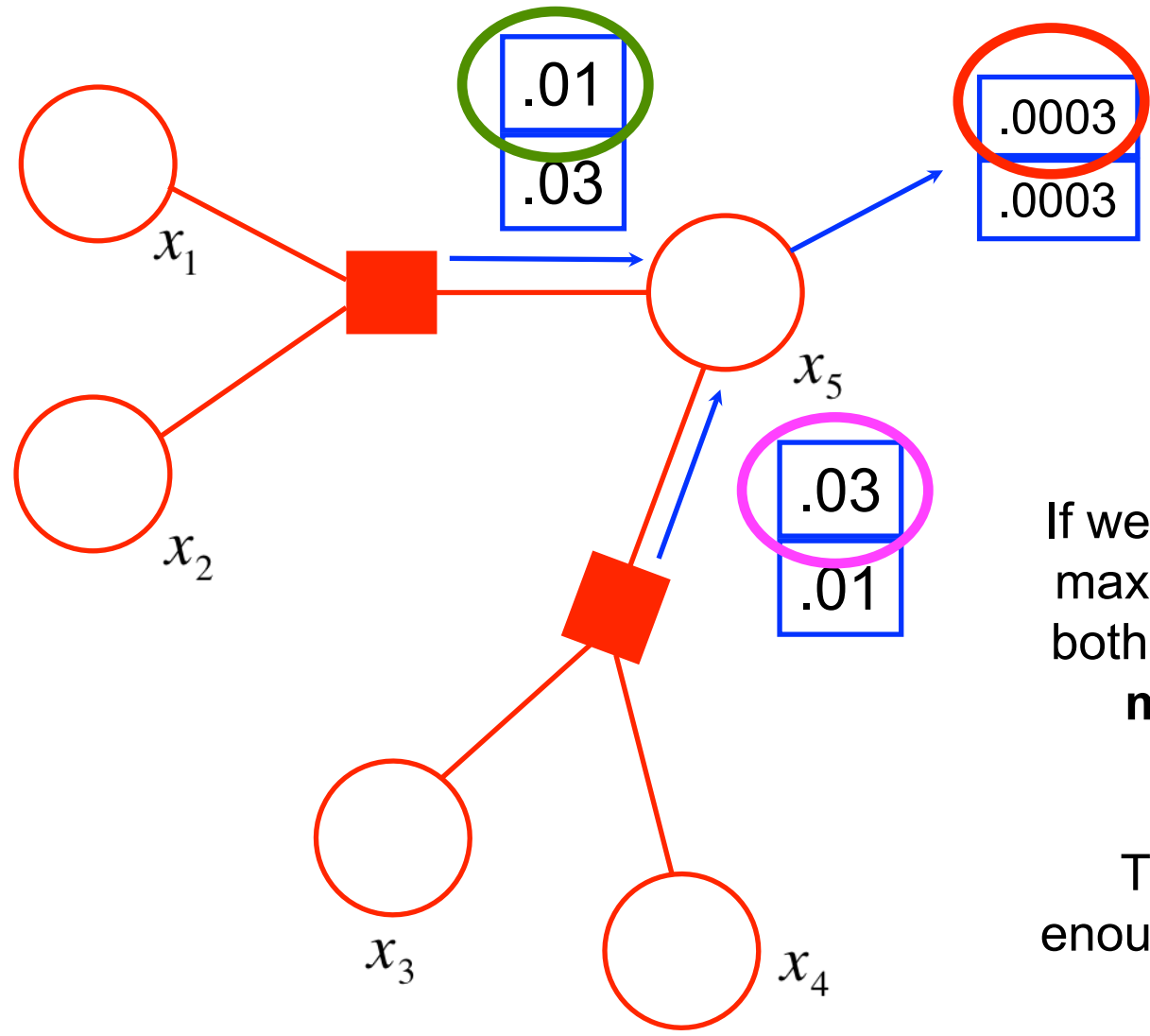
Max-sum Example



Now we know that x_5 can either be 0 or 1 (it is a tie)

Max-sum Example

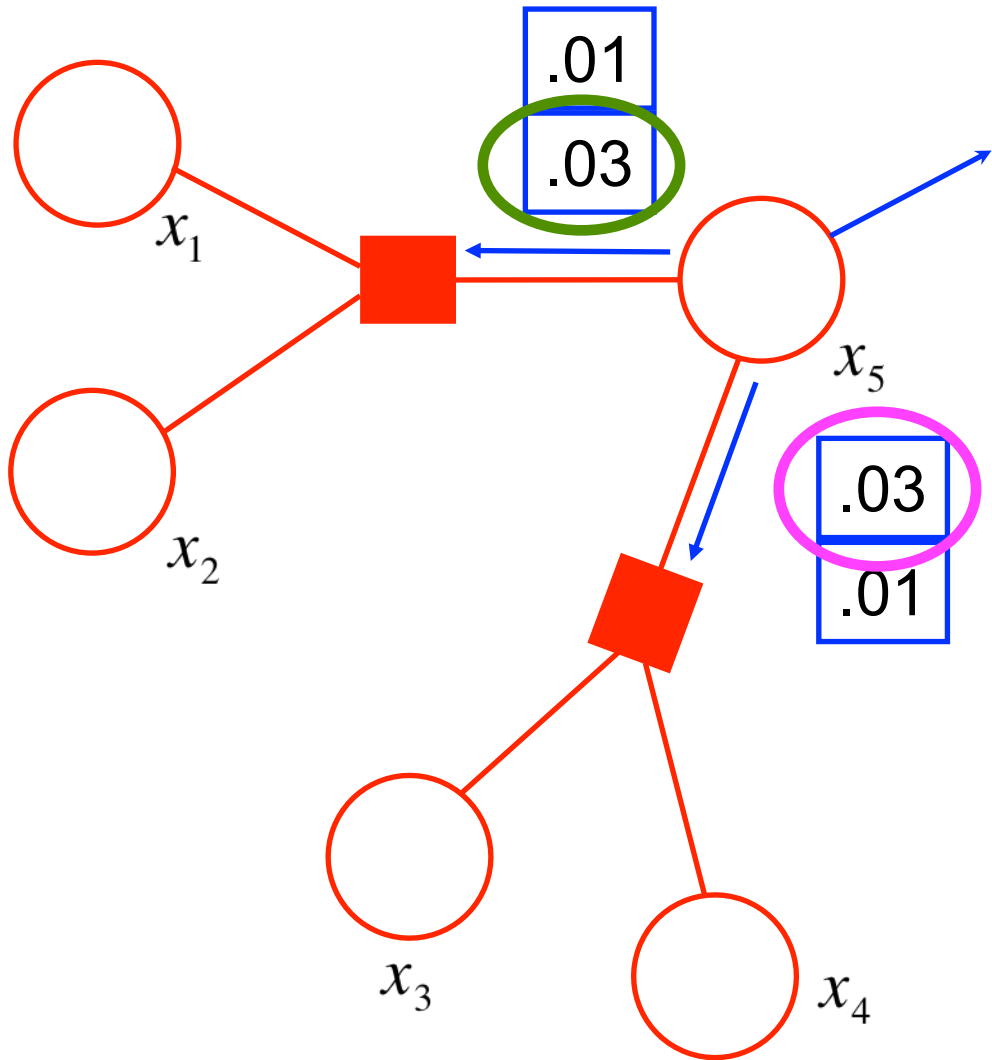
- At the root we can record the argmax for its variable, but we do not know which variable choices produced it
 - Ties have the potential to make this particularly complicated
- We can “backtrack” to find this out provided that we stored what we need in the forward pass.
- If there are ties, they need to be handled consistently
 - In our example, we need to choose either $x_5 = 0$ **or** $x_5 = 1$ for **both** backtracking branches.



If we choose $x_5=0$, then we need a maximal configuration for $x_5=0$ for both pieces for a **consistent joint maximizing configuration**

The factor nodes must store enough information to evaluate any choice

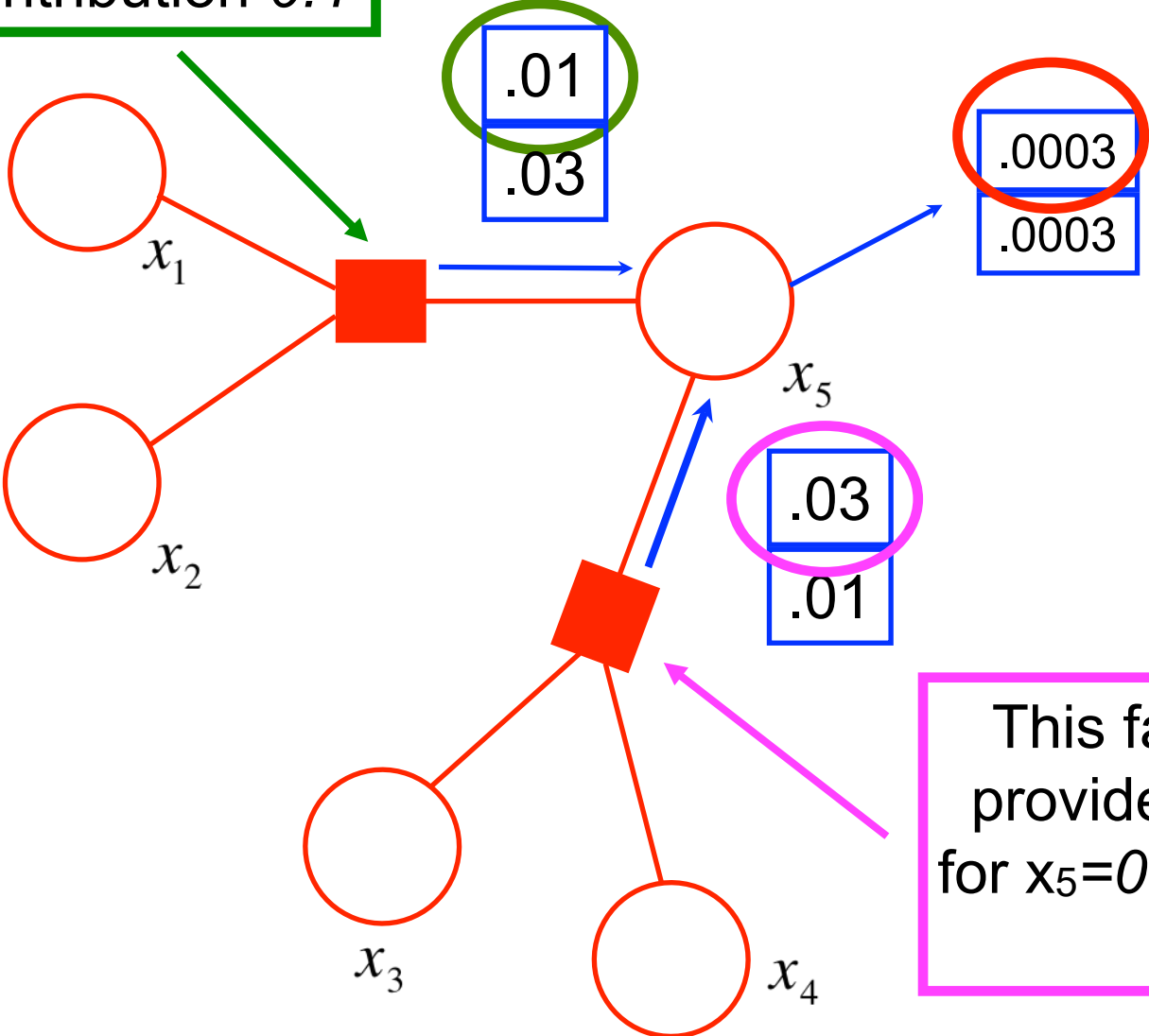
WRONG



The configuration that we get backtracking pretending $x_5 = 0$, even though $x_5 = 1$ cannot compute to more than 0.1 , and could be less, as the settings for the other variables are making the value as big as possible when $x_5 = 0$.

This factor must provide x_1 and x_2 for $x_5=0$ contribution 0.1

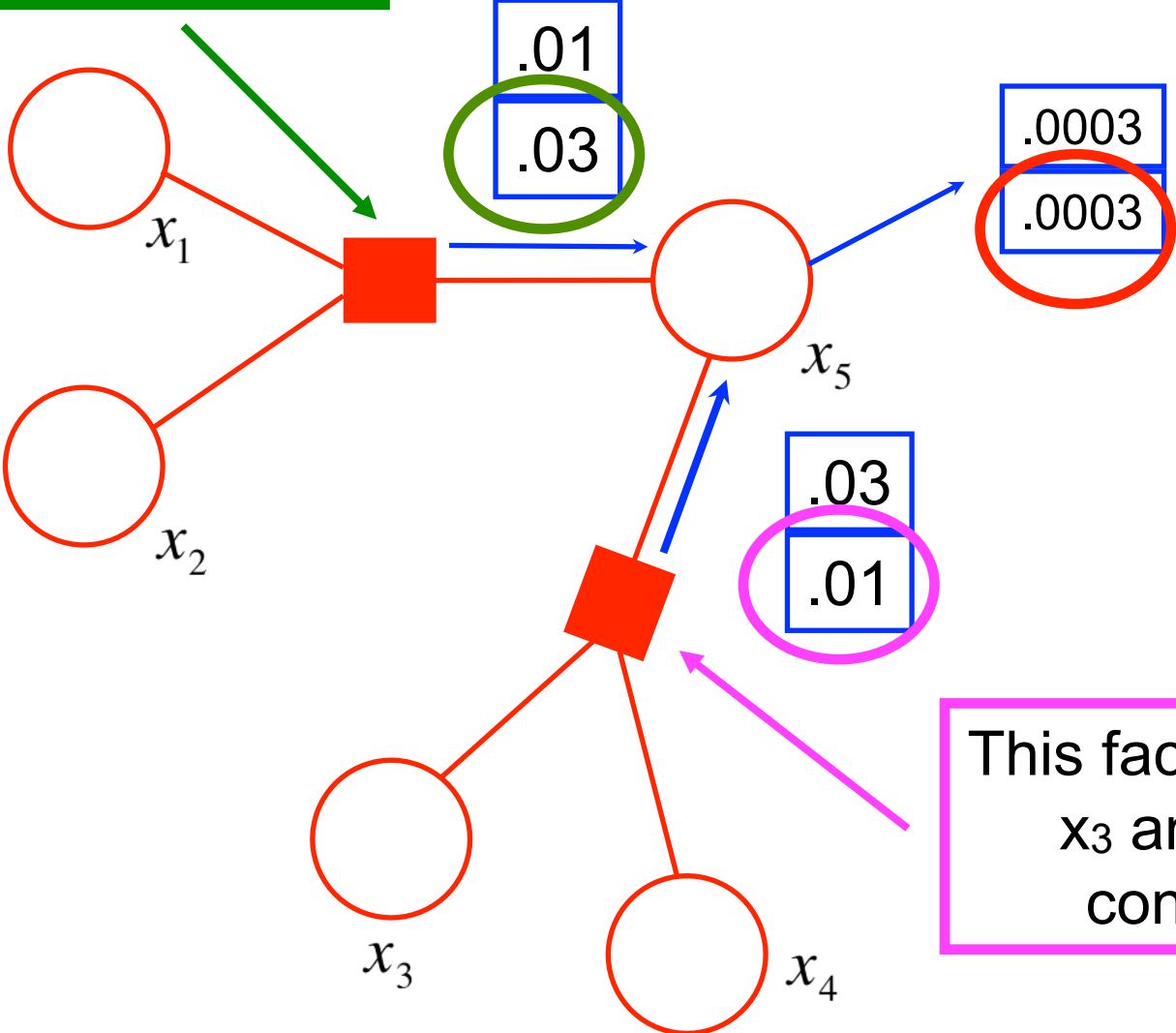
For $x_5=0$



This factor must provide x_3 and x_4 for $x_5=0$ contribution 0.3

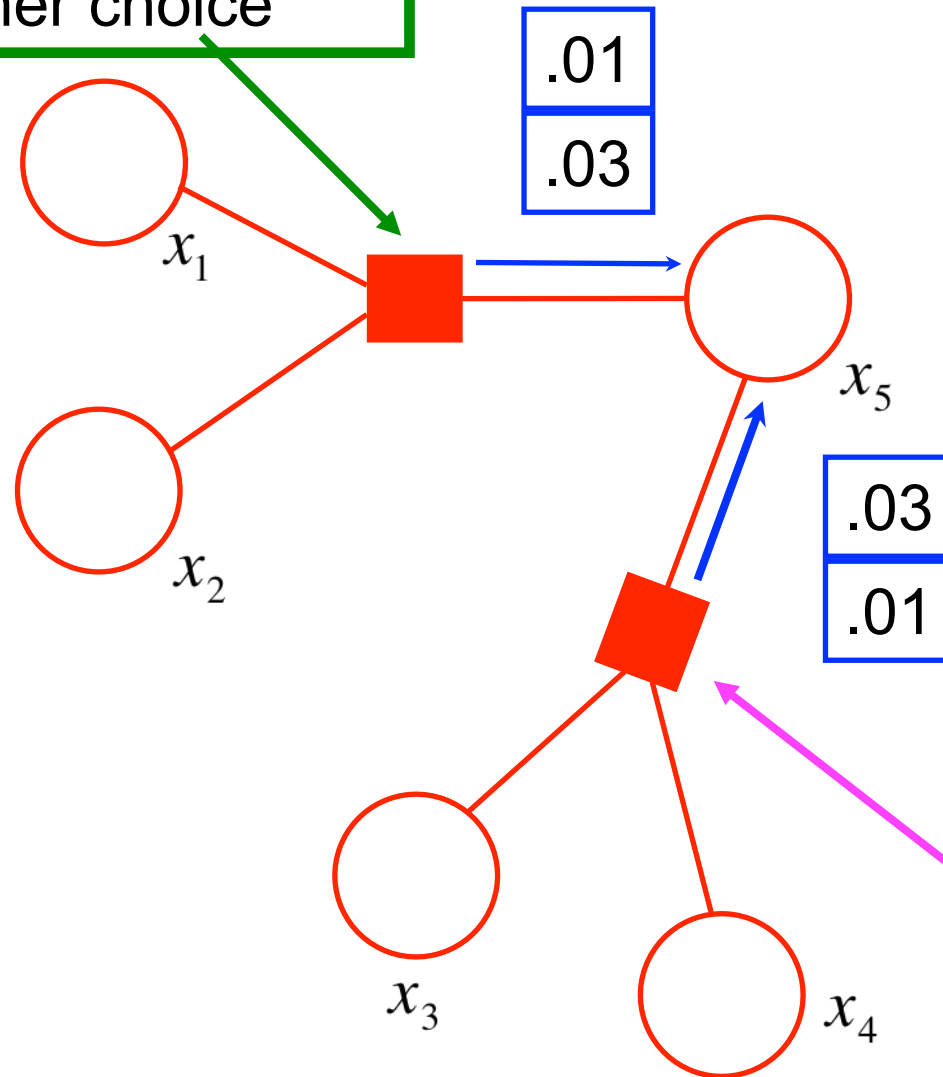
This factor must provide x_1 and x_2 for $x_5=1$ contribution 0.3

For $x_5=1$



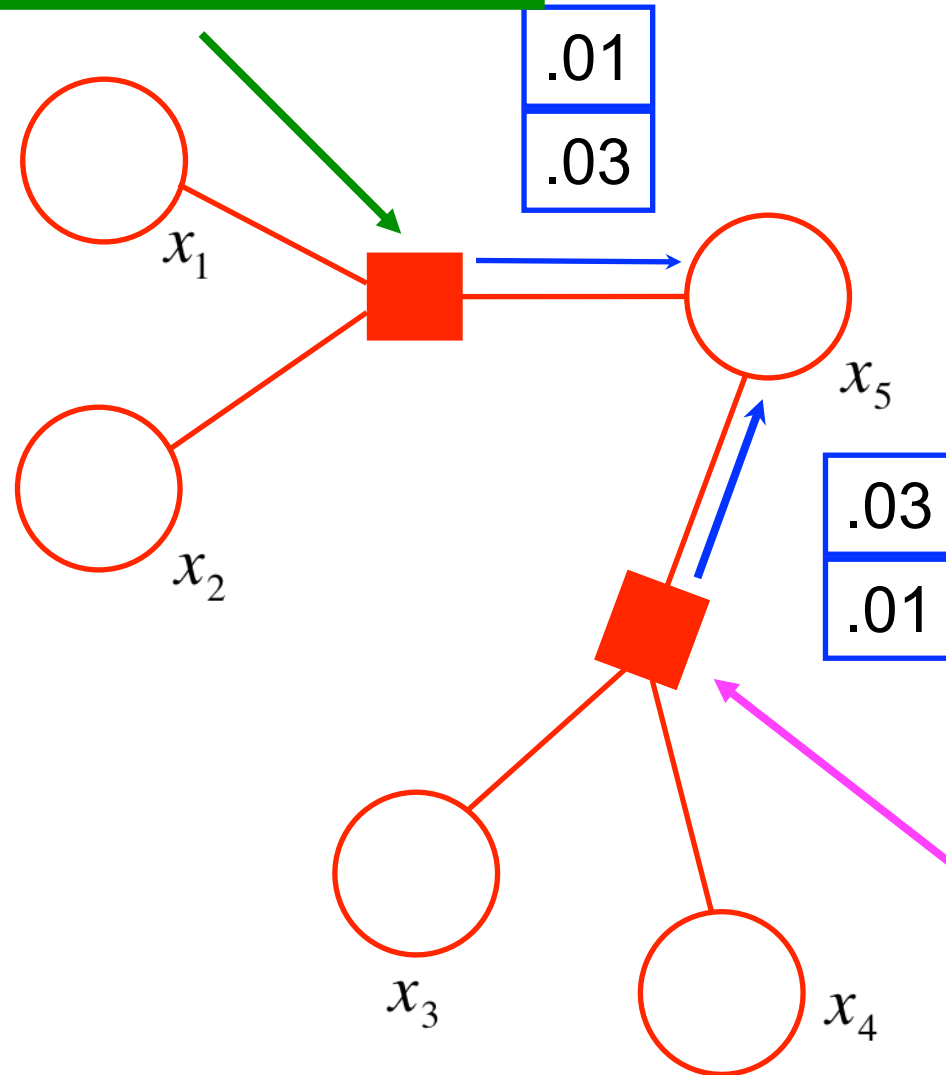
This factor must provide x_3 and x_4 for $x_5=1$ contribution 0.1

Hence this factor must be able to provide x_1 and x_2 for either choice



Hence this factor must provide x_3 and x_4 for either choice

Store $\arg \max_{x_1, x_2} \left\{ \left(f_A \rightarrow x_5 \right)_i \right\}$



Store $\arg \max_{x_3, x_4} \left\{ \left(f_B \rightarrow x_5 \right)_i \right\}$

Message Passing Inference Summary

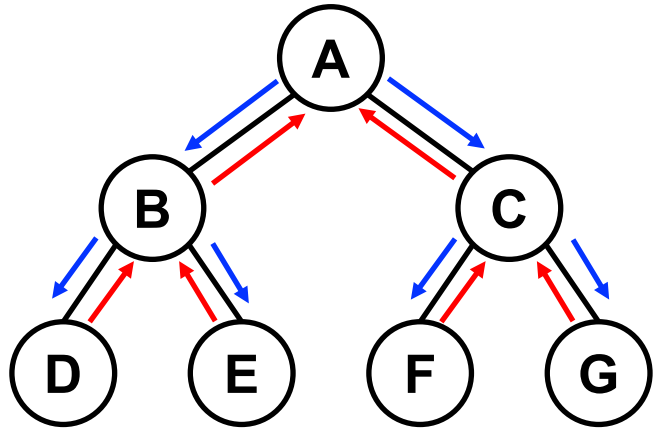
- Brute-force enumeration exponential regardless of graph
- Sum-Product BP
 - Exact inference in tree-structure graphs in $O(TK^2)$ time for T nodes, each taking K states
 - Reduces to Forward-Backward in HMMs
 - Same for Max-Product BP (reduces to Viterbi in HMMs)
- Variable elimination
 - Exact marginals in general graphs
 - Worst-case complexity exponential in size of largest clique
 - Need to rerun from scratch for each marginal
 - Complexity dependent on elimination order (NP-hard to optimize)

Message Passing Inference Summary

- Junction Tree Algorithm
 - Exact marginals in general graphs
 - Caches messages to compute all marginals
 - Worst-case complexity exponential in size of largest clique
 - Optimizing Jtree is NP-hard (corresponds to finding treewidth)
- Loopy BP: Just did this, did you forget already?

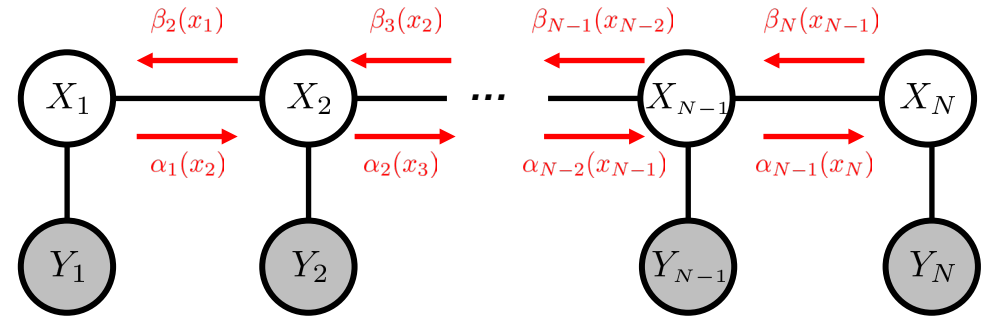
Message Passing Inference Summary

Forward-backward algorithm yields efficient marginal inference on HMM graph

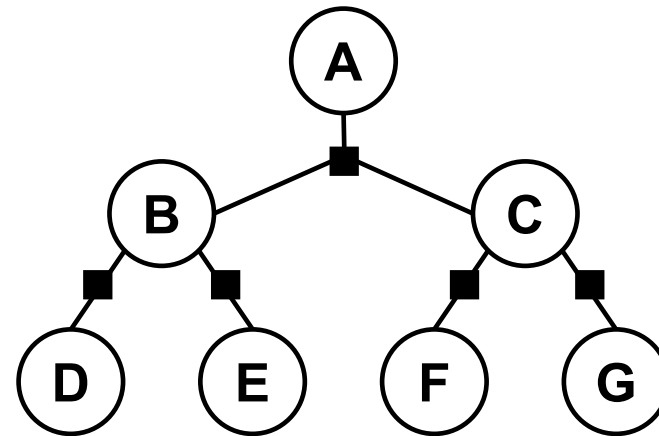


Max-product / max-sum yields maximum a posteriori (MAP) inference in any tree-structured model

Viterbi decoder is special case for HMM



Sum-product belief propagation generalizes marginal inference to tree-structured MRFs



And factor graphs

